

KRXH Series Rotary Joints

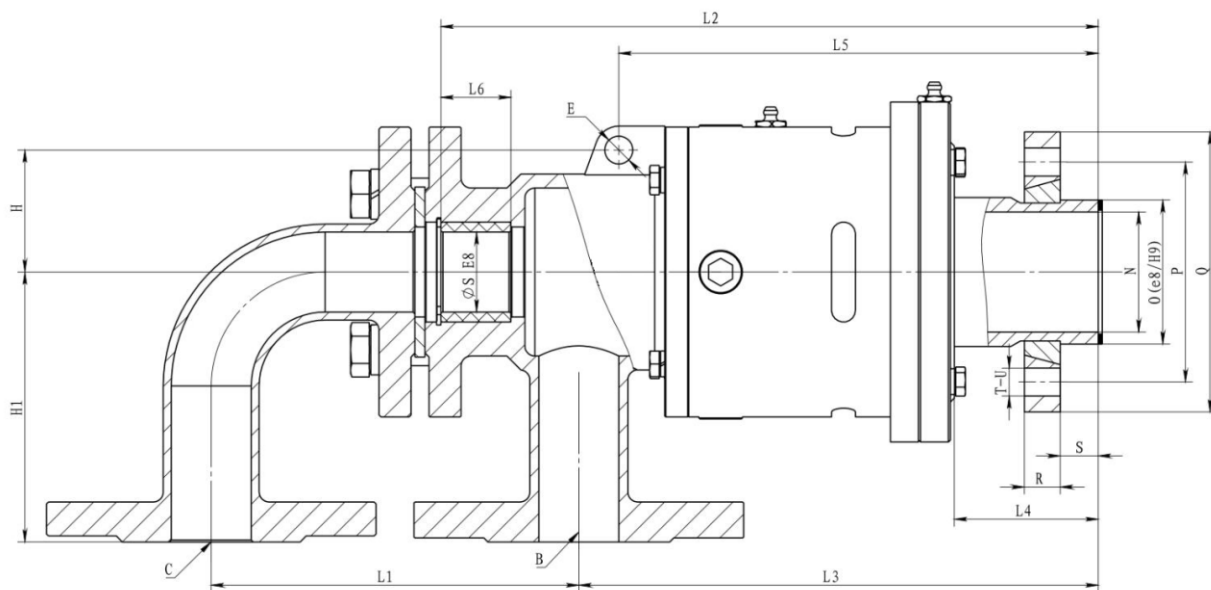
Applicable medium	Temperature	Max pressure	Max Rotary Speed
Oil	220°C	1.1Mpa	500RPM



Product Features

- ▲ Balanced sealing design;
- ▲ High precision metal bearings self support;
- ▲ Various sealing combinations are suitable for different working conditions.

Dimension



Model selection table

Model	Size	B	C	D	E	H	H1	L1	L2	L3	L5	L6	N	O	P	Q	R	S	T-U
KRXHRFO-025	1"	DN20 PN16	DN20 PN16	16	/	/	/	50	210	170	/	25	23	35	65	90	14	11	4-Φ12
KRXHRFO-032	1-1/4"	DN25 PN16	DN25 PN16	20	/	/	/	121	259	216	/	30	32	45	75	100	16	13	4-Φ14
KRXHRFO-040	1-1/2"	DN32 PN16	DN32 PN16	25	/	/	/	147	297	221	/	33	36	50	85	115	16	13	4-Φ14
KRXHRFO-050	2"	DN32 PN16	DN32 PN16	32	10	47	120	145	290	230	215	35	45	60	95	125	16	16	4-Φ14
KRXHRFO-065	2-1/2"	DN40 PN16	DN40 PN16	40	14	60	135	165	332	262	240	35	60	75	110	140	18	19	4-Φ14
KRXHRFO-080	3"	DN50 PN16	DN50 PN16	56	14	75	155	180	400	325	305	40	75	90	130	160	20	23	6-Φ14
KRXHRFO-090	3-1/2"	DN65 PN16	DN65 PN16	61	14	71	155	195	377	300	277	36	84	100	150	180	20	25	8-Φ14
KRXHRFO-100	4"	DN65 PN16	DN65 PN16	73	14	82	155	195	405	332	282	36	96	120	160	200	22	25	8-Φ16
KRXHRFO-125	5"	DN80 PN16	DN80 PN16	94	16	100	190	220	475	390	325	36	123	150	190	230	22	32	6-Φ18