

KSA Series Rotary Joints



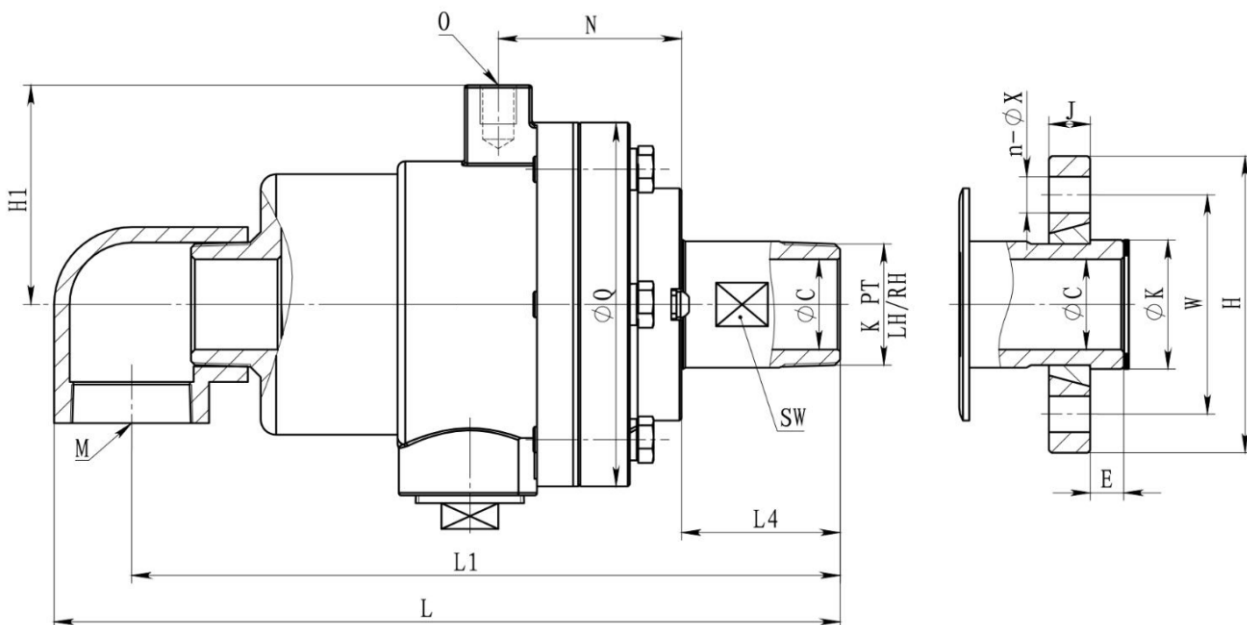
Applicable medium	Temperature	Max pressure	Max Rotary Speed
Steam/ heat transfer oil	280°C	3.5Mpa	350RPM

The KSA series rotary joint adopts a reliable performance anti spherical sealing structure, supported by two wide oil-free uranium bearings, and is rust freeSteel springs provide continuous and stable spring force to drive graphite sealing rings to compensate for seal wear, and can be used for concentricityHigh, in vibration equipment.

Product Features

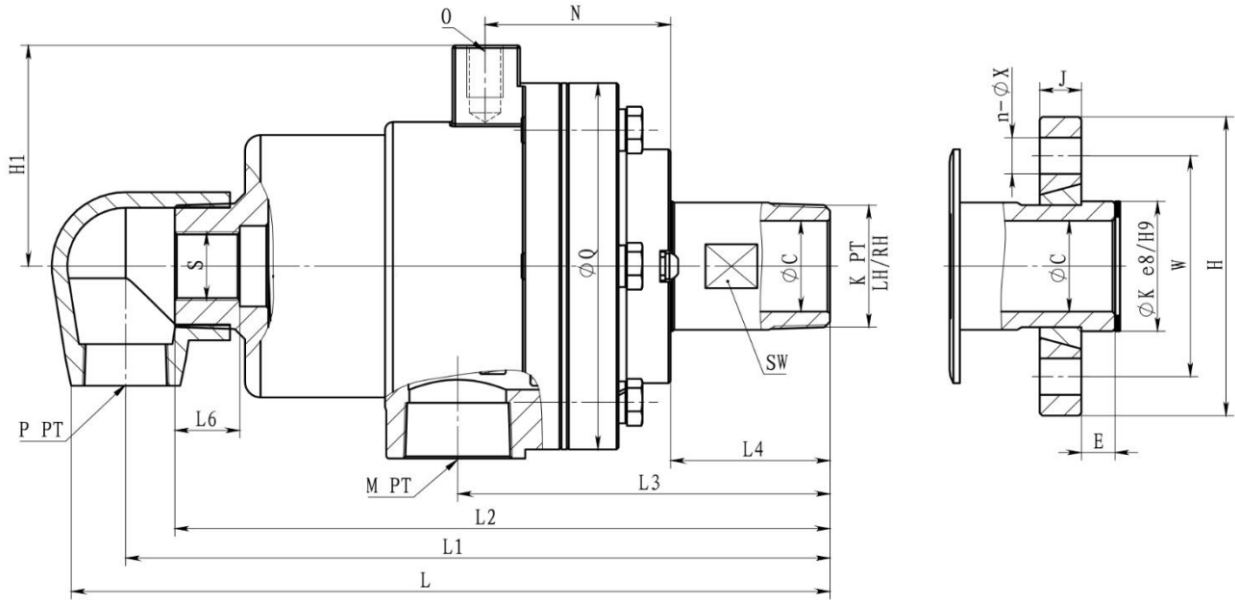
- ▲ Two graphite bearings with widened spacing can more effectively support siphons and hoses;
- ▲ The compressed stone black seal improves strength and impact resistance, extending the service life of the rotary joint; Longer;
- ▲ External seal wear indication helps to achieve scheduled maintenance and reduces expensive downtime;
- ▲ The hardened rotor and end cover have an extremely long service life under high-pressure conditions.

KSAM Single way rotary joint



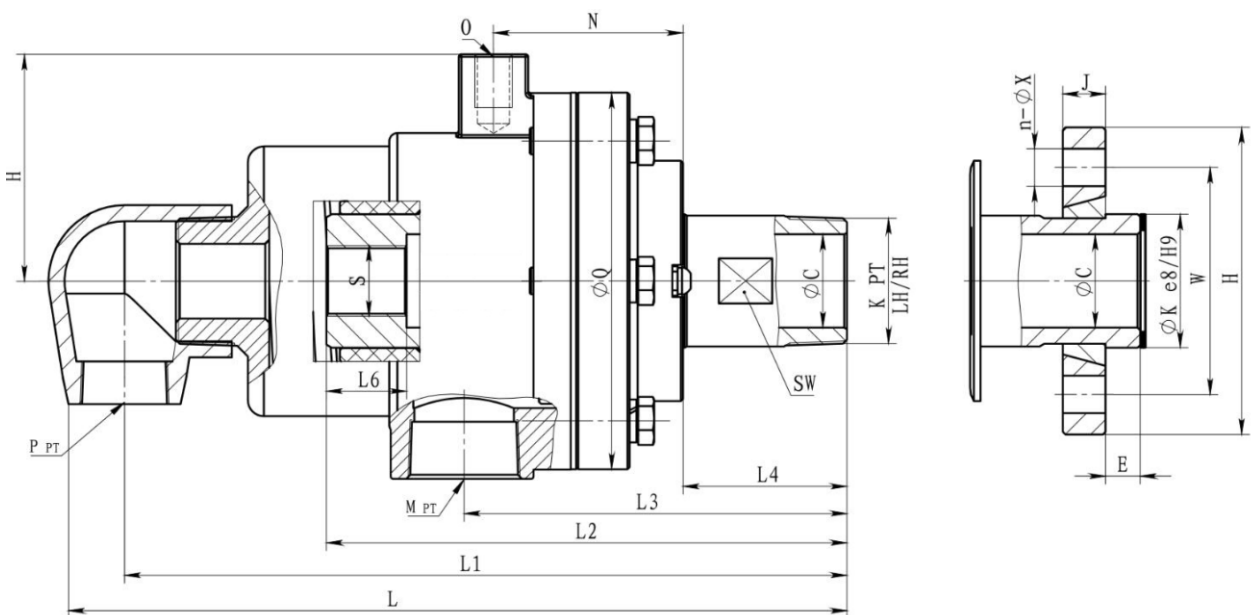
Standard Size	K	M	L	L1	L4	H1	N	O	Q	Standard Size							
										ϕC	E	ϕK	W	H	J	n-X	
020	3/4"	R3/4"	Rc3/4"	211	194	45	60	49	M10	99	18	11	26	55	80	14	n- $\phi 12$
025	1"	R1"	Rc1"	262	241	50	70	58	M12	109	23	11	35	65	90	14	n- $\phi 12$
032	1-1/4"	R1-1/4"	Rc1-1/4"	288	262	57	80	64	M12	132	29	13	45	75	100	16	n- $\phi 14$
040	1-1/2"	R1-1/2"	Rc1-1/2"	311	283	61	85	71	M14	141	35	13	50	85	115	16	n- $\phi 14$
050	2"	R2"	Rc2"	356	321	65	95	79	M14	164	45	16	60	95	125	16	n- $\phi 14$
065	2-1/2"	R2-1/2"	Rc2-1/2"	387	357	80	110	82	M14	187	56	19	75	110	140	18	n- $\phi 14$
080	3"	Above 3", you can call to request drawings or design and produce according to requirements															

KSAD Double way (fixed inner pipe) rotary joint



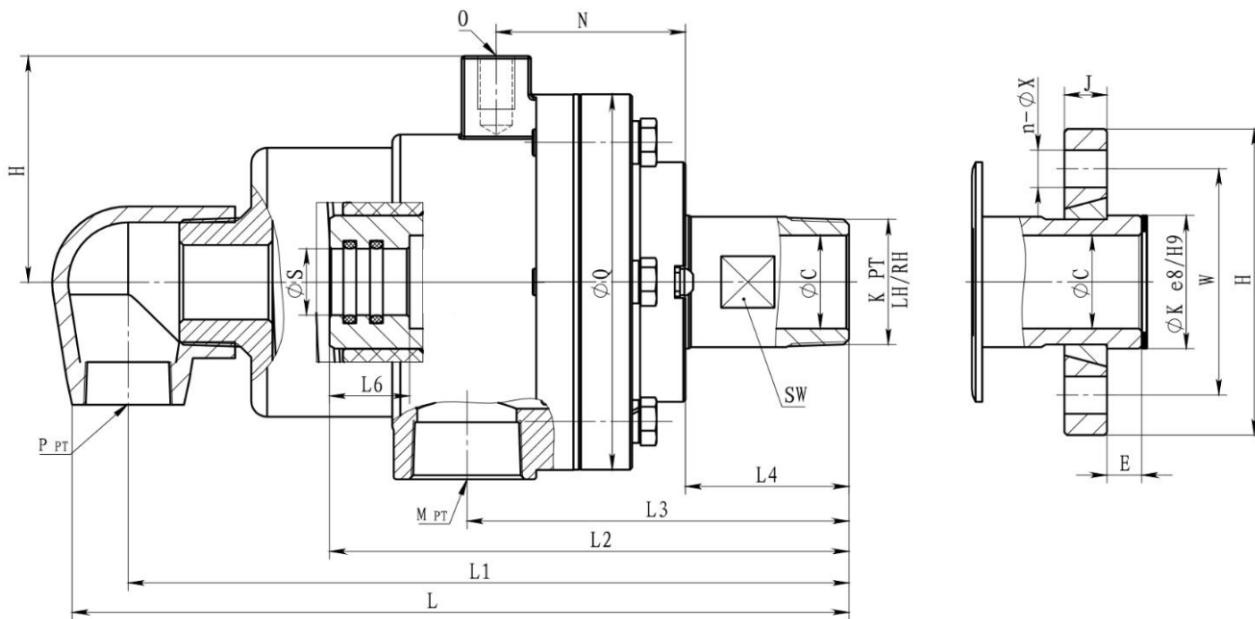
Standard Size	K	M	P	S	L	L1	L2	L3	L4	L6	H1	N	O	Q	Flange rotor							
															φC	E	φK	W	H	J	n-X	
020	3/4"	R3/4"	Rc3/4"	Rc3/4"	G1/4"	205	191	175	98	45	18	60	49	M10	99	17	11	26	55	80	14	4-φ12
025	1"	R1"	Rc3/4"	Rc3/4"	G3/8"	252	235	216	121	50	20	70	58	M12	109	23	11	35	65	90	14	4-φ12
032	1-1/4"	R1-1/4"	Rc1"	Rc1"	G1/2"	271	250	229	125	57	25	80	64	M12	132	29	13	45	75	100	16	4-φ14
040	1-1/2"	R1-1/2"	Rc1-1/4"	Rc1-1/4"	G3/4"	297	276	251	143	61	25	85	71	M14	141	35	13	50	85	115	16	4-φ14
050	2"	R2"	Rc1-1/2"	Rc1-1/2"	G1"	333	308	281	157	65	30	95	97	M14	164	45	16	60	90	125	16	4-φ14
065	2-1/2"	R2-1/2"	Rc2"	Rc2"	G1-1/4"	395	348	321	175	80	35	110	82	M14	187	56	18	75	110	140	18	4-φ14
080	3"	Above 3", you can call to request drawings or design and produce according to requirements																				

KSAY Double way (inner tube rotating) rotary joint



Standard Size		K	M	P	S	L	L1	L2	L3	L4	L6	H1	N	O	Q	Flange rotor						
																ΦC	E	ΦK	W	H	J	n-X
020	3/4"	R3/4"	Rc3/4"	Rc3/4"	G1/4"	205	191	/	98	45	18	60	49	M10	99	17	11	26	55	80	14	4-Φ12
025	1"	R1"	Rc3/4"	Rc3/4"	G3/8"	252	235	/	121	50	20	70	58	M12	109	23	11	35	65	90	14	4-Φ12
032	1-1/4"	R1-1/4"	Rc1"	Rc1"	G1/2"	271	250	175	125	57	25	80	64	M12	132	29	13	45	75	100	16	4-Φ14
040	1-1/2"	R1-1/2"	Rc1-1/4"	Rc1-1/4"	G3/4"	297	276	195	143	61	25	85	71	M14	141	35	13	50	85	115	16	4-Φ14
050	2"	R2"	Rc1-1/2"	Rc1-1/2"	G1"	333	308	216	157	65	30	95	79	M14	164	45	16	60	90	125	16	4-Φ14
065	2-1/2"	R2-1/2"	Rc2"	Rc2"	G1-1/4"	395	348	250	175	80	35	110	82	M14	187	56	18	75	110	140	18	4-Φ14
080	3"	Above 3", you can call to request drawings or design and produce according to requirements																				

KSAU-Double way (inner tube rotating) rotary joint



Standard Size		K	M	P	ΦS	L	L1	L2	L3	L4	L6	H1	N	O	Q	Flange rotor						
																ΦC	E	ΦK	W	H	J	n-X
020	3/4"	R3/4"	Rc3/4"	Rc3/4"	12	205	191	/	98	45	20	60	49	M10	99	17	11	26	55	80	14	4-Φ12
025	1"	R1"	Rc3/4"	Rc3/4"	16	252	235	/	121	50	20	70	58	M12	109	23	11	35	65	90	14	4-Φ12
032	1-1/4"	R1-1/4"	Rc1"	Rc1"	20	271	250	175	125	57	25	80	64	M12	132	29	13	45	75	100	16	4-Φ14
040	1-1/2"	R1-1/2"	Rc1-1/4"	Rc1-1/4"	25	297	276	195	143	61	30	85	71	M14	141	35	13	50	85	115	16	4-Φ14
050	2"	R2"	Rc1-1/2"	Rc1-1/2"	32	333	308	216	157	65	40	95	79	M14	164	45	16	60	90	125	16	4-Φ14
065	2-1/2"	R2-1/2"	Rc2"	Rc2"	40	395	348	250	175	80	45	110	82	M14	187	56	18	75	110	140	18	4-Φ14
080	3"	Above 3", you can call to request drawings or design and produce according to requirements																				