

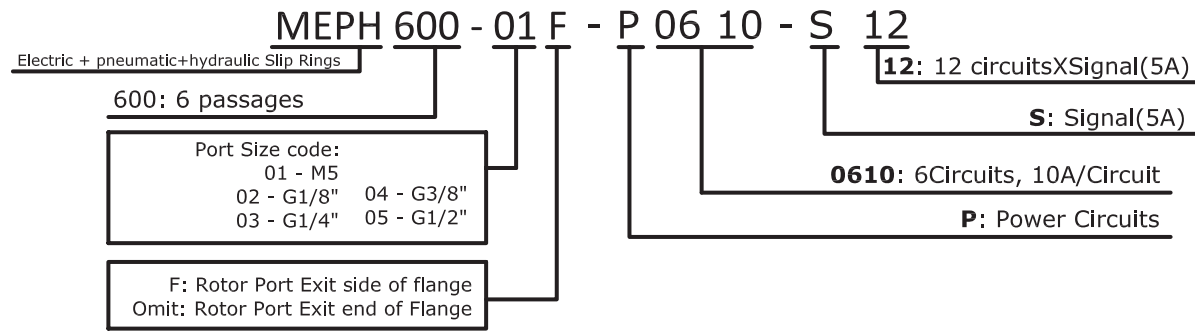
MEPH600(6 PASSAGE+Electric)



MEPH600 slip rings, 6 passageway Pneumatic/Hydraulic, are specialized slip rings solutions, it can combine with power,signal,Ethernet,USB,Devicenet,Control Net,Canbus on request! It also could be mounted by shaft or optional flange mounting.

Connection Size:M5,G1/8",G1/4",G3/8",G1/2"

Media Types: Air/Gas, Chemical, DI / Tap Water, Oil, Water/Glycol.



Parts# in stock

Parts#	Passage(Way)	Torque(N.m)	Passage Size
MEPH600-01	6	1.5N.m	M5
MEPH600-01F	6	1.5N.m	M5
MEPH600-02	6	3.5N.m	G 1/8"
MEPH600-02F	6	3.5N.m	G 1/8"
MEPH600-03	6	5N.m	G 1/4"
MEPH600-03F	6	5N.m	G 1/4"
MEPH600-04	6	8N.m	G 3/8"
MEPH600-04F	6	8N.m	G 3/8"
MEPH600-05	6	10N.m	G 1/2"
MEPH600-05F	6	10N.m	G 1/2"

Parts# - Combine with Electricl Circuits

Parts#	Passage(Way)	10A	Signal/5A	RingNum
MEPH600-XXX	6	0	0	0
MEPH600-XXX-S06	6	0	6	6
MEPH600-XXX-P0610	6	6	0	6
MEPH600-XXX-S12	6	0	12	12
MEPH600-XXX-P0610-S06	6	6	6	12
MEPH600-XXX-P1210	6	12	0	12
MEPH600-XXX-S18	6	0	18	18
MEPH600-XXX-P0610-S12	6	6	12	18
MEPH600-XXX-P1210-S06	6	12	6	18
MEPH600-XXX-P1810	6	18	0	18
MEPH600-XXX-S24	6	0	24	24
MEPH600-XXX-P0610-S18	6	6	18	24
MEPH600-XXX-P1210-S12	6	12	12	24
MEPH600-XXX-P1810-S06	6	18	6	24
MEPH600-XXX-P2410	6	24	0	24
MEPH600-XXX-S30	6	0	30	30
MEPH600-XXX-S36	6	0	36	36
MEPH600-XXX-S48	6	0	48	48
MEPH600-XXX-S60	6	0	60	60
MEPH600-XXX-S72	6	0	72	72

Specifications

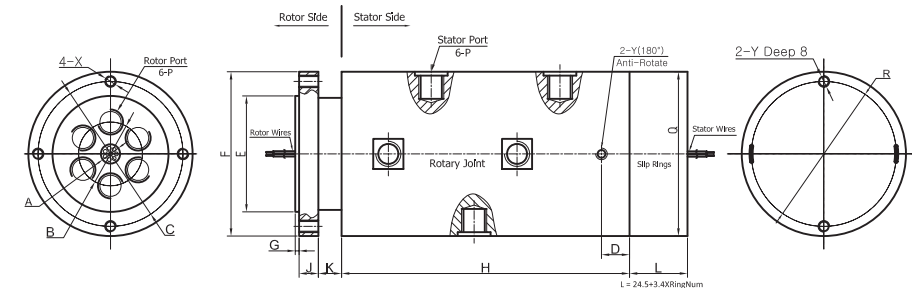
Rotary Joints Specifications

PassageWay	6	Max Pressure	1500PSI(100BAR)
Max. Vacuum	10HG	Max Speed	500RPM
Material Type	Aluminum	Temperature	-40° C to 105° C

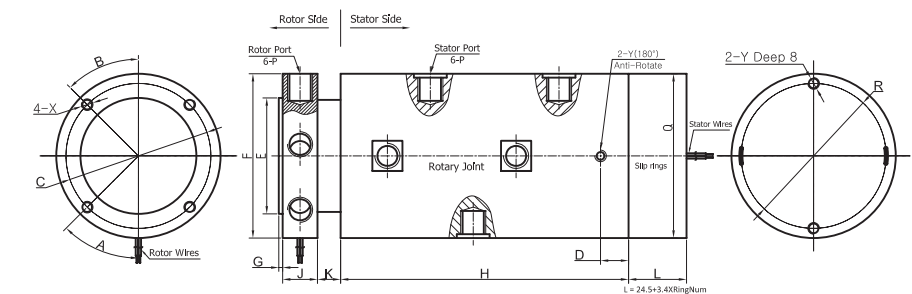
Electrical Specifications

Rating voltage	600 VDC/VAC	Contact material	Precious Metal:Gold-Gold
Dielectric strength	1000VDC@50Hz	Lead Wire	UL Teflon®
Insulation resistance	1000MΩ@600VDC	Lead Lengths	250mm
Operating Temp.	-40°C to 80°C	Protection	IP51
Mechanical vibratio	MIL-SID-810E	Humidity	10% to 90% RH
Materials	Lead Free,RoHS compliant	CE Certified	YES

Drawings



Size Code Part#	A	B	C	D	E	F	G	H	J	K	Q	R	P	X	Y	L
MEPH600-01	φ10	φ20	φ51	12.5	φ40	φ60	2	101	5	12	φ60	φ51	M5	M5	M4	21.2+2.8XRingNum
MEPH600-02	φ10	φ28	φ61	13	φ50	φ70	2	138	7	12	φ70	φ61	G1/8	M5	M5	21.2+2.8XRingNum
MEPH600-03	φ10	φ33	φ75	14.5	φ60	φ85	2	171	10	12	φ85	φ75	G1/4	M6	M6	24.5+3.4XRingNum
MEPH600-04	φ10	φ41.5	φ88	14.5	φ71	φ99	2	198	10	12	φ99	φ88	G3/8	M6	M6	24.5+3.4XRingNum
MEPH600-05	φ10	φ50	φ107	14.5	φ90	φ119	2	227	10	12	φ119	φ107	G1/2	M6	M6	24.5+3.4XRingNum



Size Code Part#	A	B	C	D	E	F	G	H	J	K	Q	R	P	X	Y	L
MEPH600-01F	40°	40°	φ51	12.5	φ40	φ60	2	101	9	12	φ60	φ51	M5	M5	M4	21.2+2.8XRingNum
MEPH600-02F	40°	40°	φ61	13	φ50	φ70	2	138	15	12	φ70	φ61	G1/8	M5	M5	21.2+2.8XRingNum
MEPH600-03F	40°	40°	φ75	14.5	φ60	φ85	2	171	18	12	φ85	φ75	G1/4	M6	M6	24.5+3.4XRingNum
MEPH600-04F	40°	40°	φ88	14.5	φ71	φ99	2	198	23	12	φ99	φ88	G3/8	M6	M6	24.5+3.4XRingNum
MEPH600-05F	40°	40°	φ107	14.5	φ90	φ119	2	227	27	12	φ119	φ107	G1/2	M6	M6	24.5+3.4XRingNum