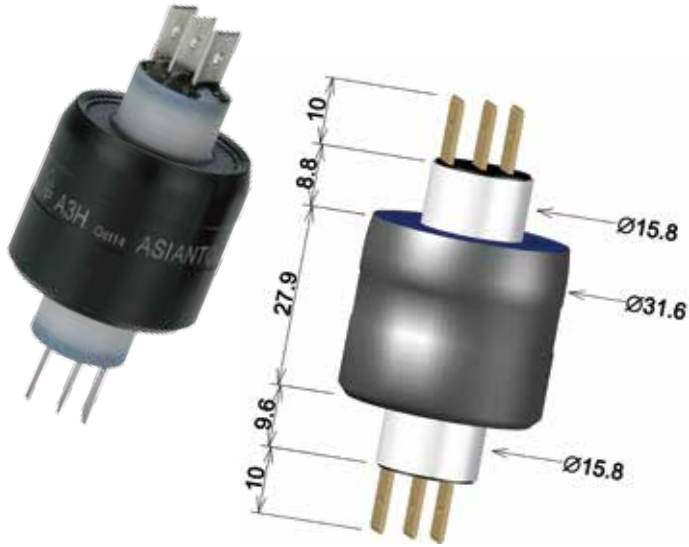
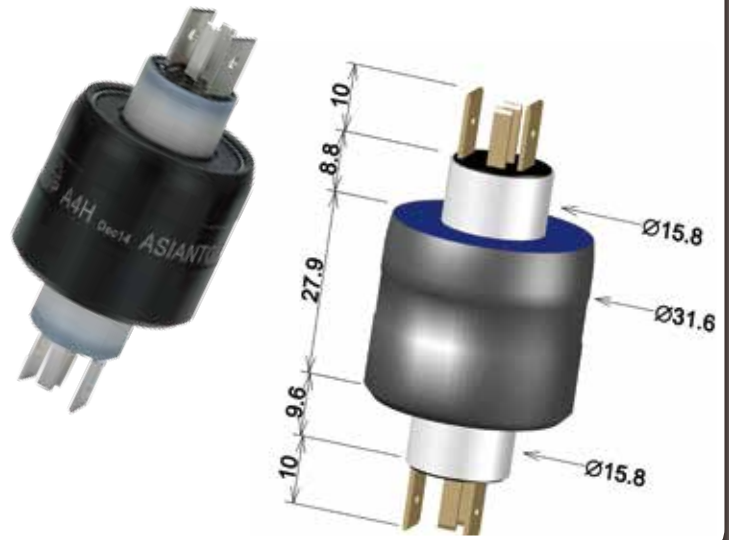


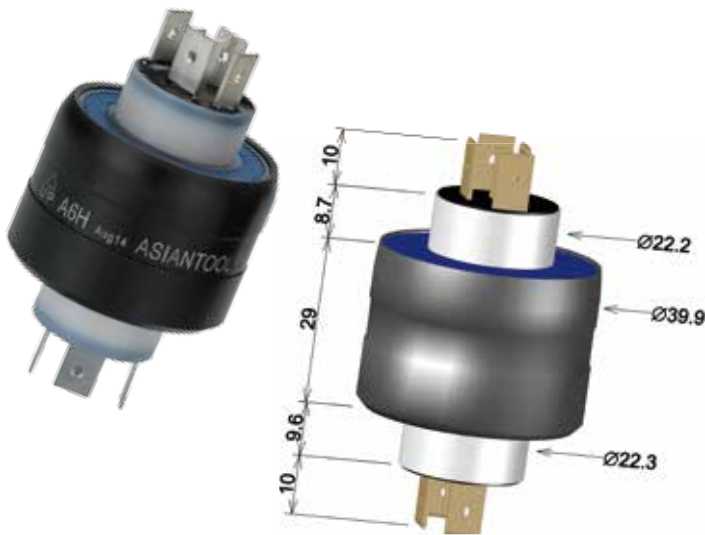
A3H 3poles/30A/AC250V



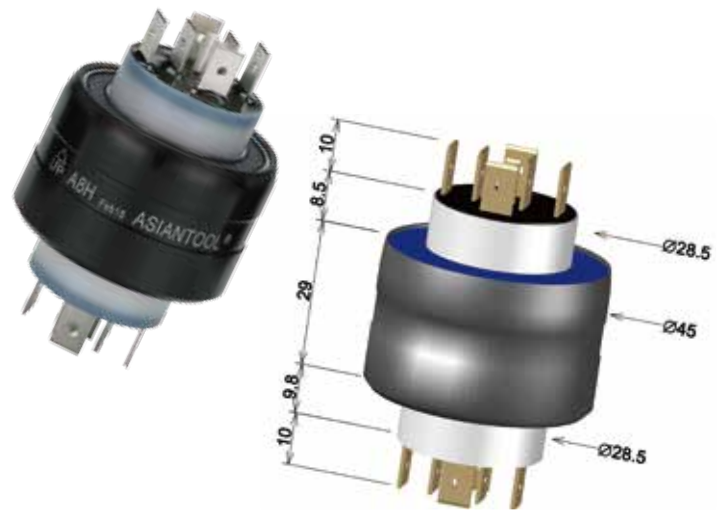
A4H 2poles/30A & 2poles/4A AC250V



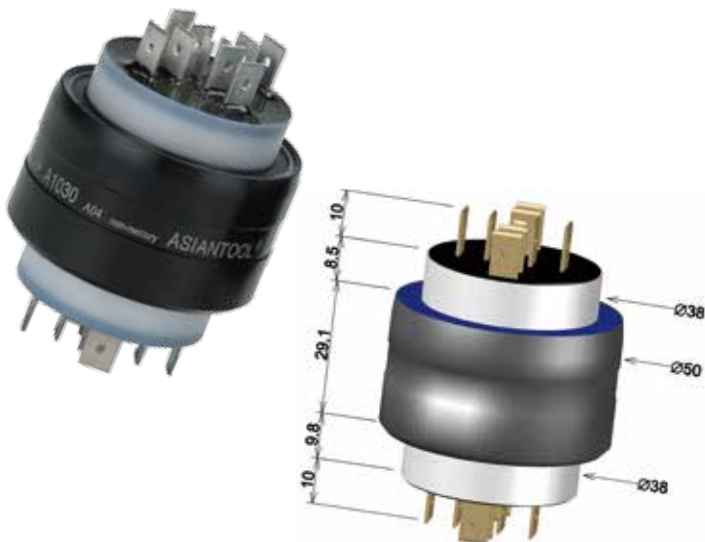
A6H 4poles/30A & 2poles/4A AC250V



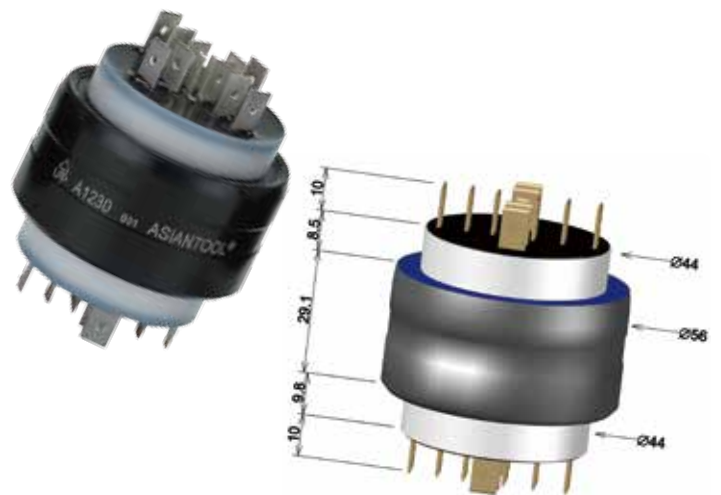
A8H 6poles/30A & 2poles/4A AC250V



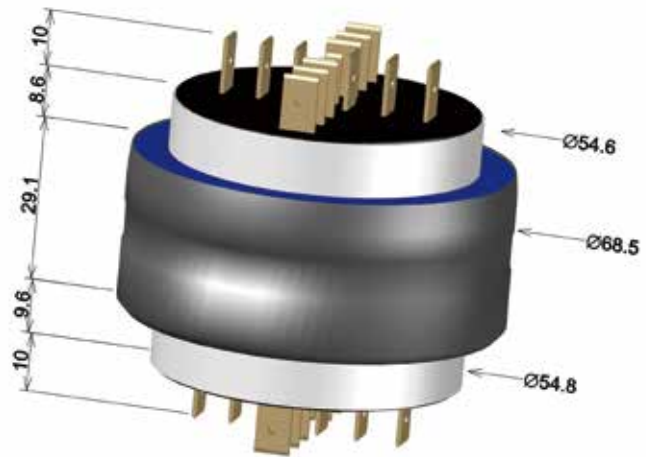
A1030 8poles/30A & 2poles/4A AC250V



A1230 10poles/30A & 2poles/4A AC250V

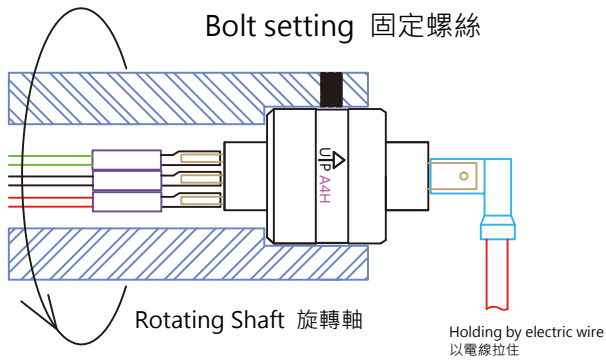


A1430 12poles/30A & 2poles/4A AC250V



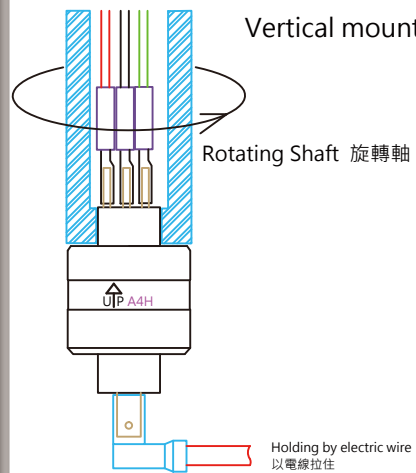
Horizontal mounting 水平安裝

Horizontal mounting 水平安裝



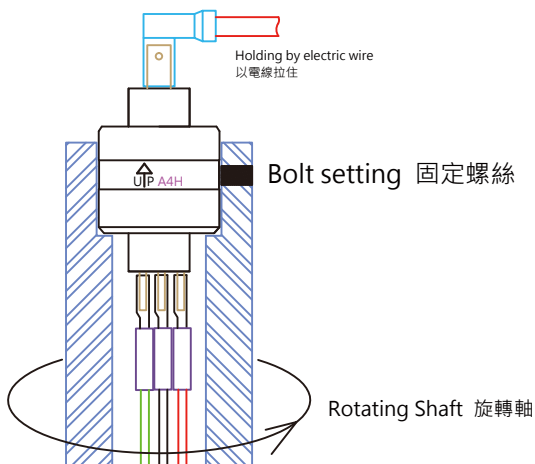
Vertical mounting (bottom) 垂直底部安裝

Vertical mounting (bottom) 垂直底部安裝



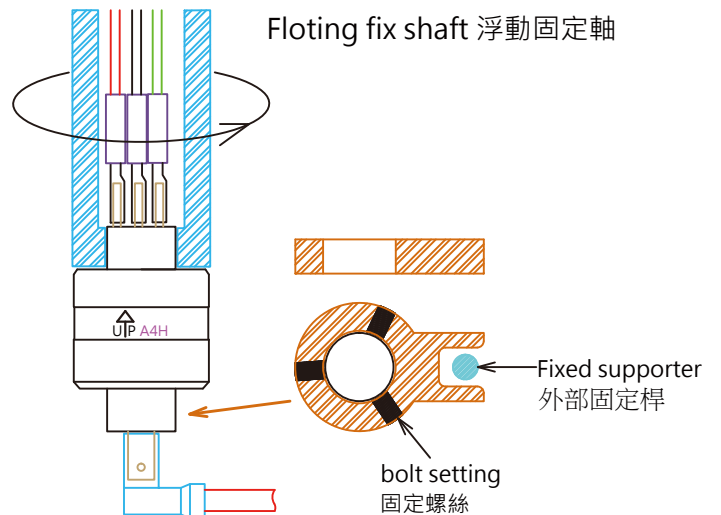
Vertical mounting (Top) 垂直上部安裝

Vertical mounting (Top) 垂直上部安裝



Floting fix shaft 浮動固定軸

Floting fix shaft 浮動固定軸



HIGH VOLTAGE MULTI CONDUCTORS 高電壓多極旋轉連接器

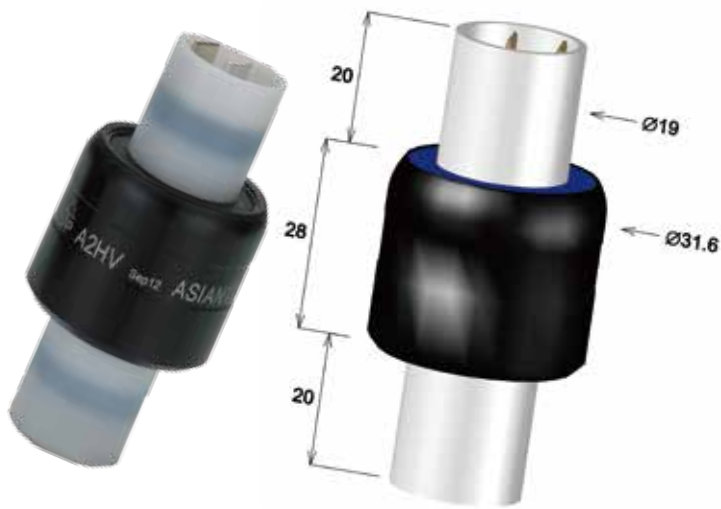


Specification 規格

Model 型號	Conductor Poles 極數	Current Amp. 電流	Voltage AC/V 耐壓	Max. Freq. MHZ 頻率	Max. RPM 最大轉速	Operating Temp. Max/Min °C 使用溫度	Rotating Torque (gm-cm) 轉矩	Insulation Resistance 絕緣阻抗
A2HV	2	30	500	200	400	60/-30	400	> 50MΩ
A3HV	3	30	500	200	300	60/-30	700	> 50MΩ
A4HV	4	30	500	200	200	60/-30	1000	> 50MΩ
A5HV	5	30	500	200	100	60/-30	1500	> 50MΩ
A6HV	6	30	500	200	60	60/-30	2000	> 50MΩ
A7HV	7	30	500	200	40	60/-30	3000	> 50MΩ
A2V2S	2	4	250	200	300	60/-30	700	> 25MΩ
	2	30	500	200				> 50MΩ
A3V4S	2	4	250	200	100	60/-30	1500	> 25MΩ
	2	30	250	200				> 25MΩ
	2	30	500	200				> 50MΩ



A2HV 2poles/30A/AC500V



A3HV 3poles/30A/AC500V



A4HV 4poles/30A/AC500V



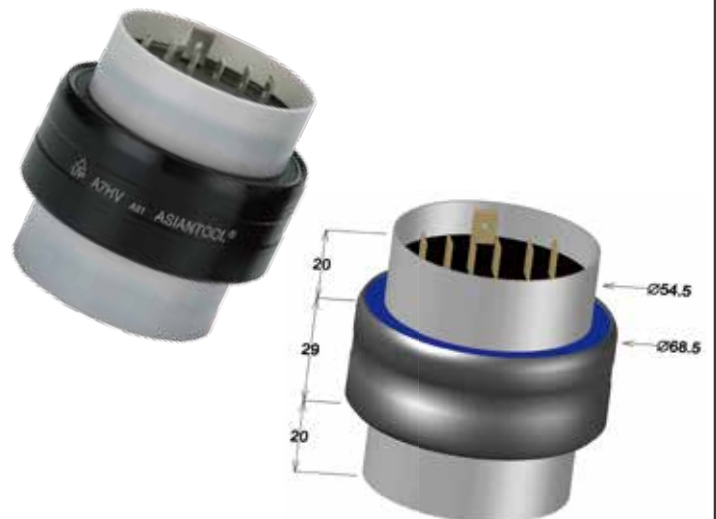
A5HV 5poles/30A/AC500V



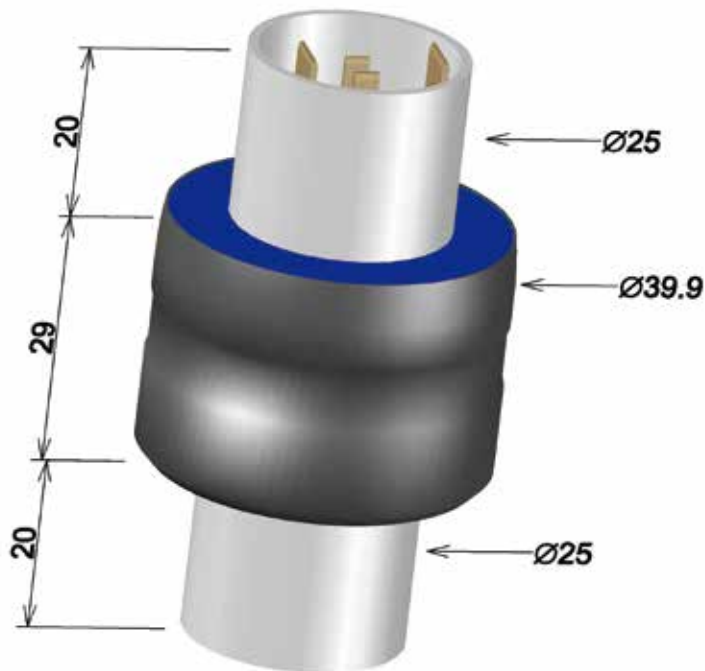
A6HV 6poles/30A/AC500V



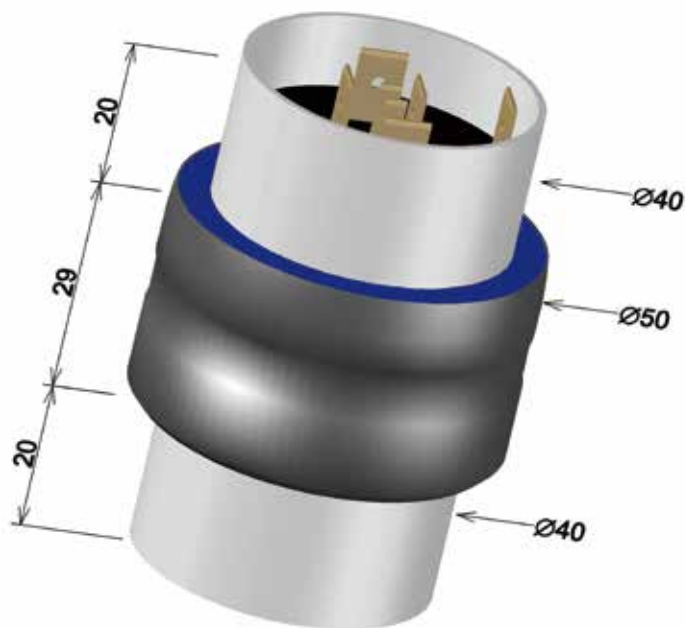
A7HV 7poles/30A/AC500V



A2V2S 2poles/4A/AC250V + 2poles/30A/AC500V



A3V4S 2poles/4A/AC250V + 2poles/30A/AC250V + 2poles/30A/AC500V



THROUGH BORE MULTI CONDUCTORS (16.2mm)

過孔式多極旋轉連接器(16.2mm)

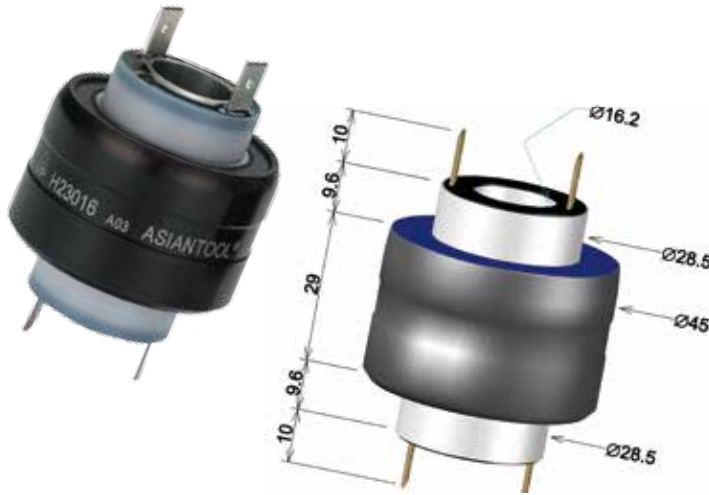


Specification 規格

Model 型號	Through -bore ψ 中空孔徑	Conductor Poles 極數	Current Amp. 電流	Voltage AC/V 耐壓	Max. Freq. MHZ 頻率	Max. RPM 最大轉速	Operating Temp. Max/Min °C 使用溫度	Rotating Torque (gm-cm) 轉矩	Insulation Resistance 絕緣阻抗
H23016	16.2mm	2	30	250	100	100	60/-30	1000	> 25M Ω
H43016	16.2mm	4	30	250	100	60	60/-30	1500	> 25M Ω
H63016	16.2mm	6	30	250	100	40	60/-30	2000	> 25M Ω
H83016	16.2mm	6	30	250	100	20	60/-30	3000	> 25M Ω



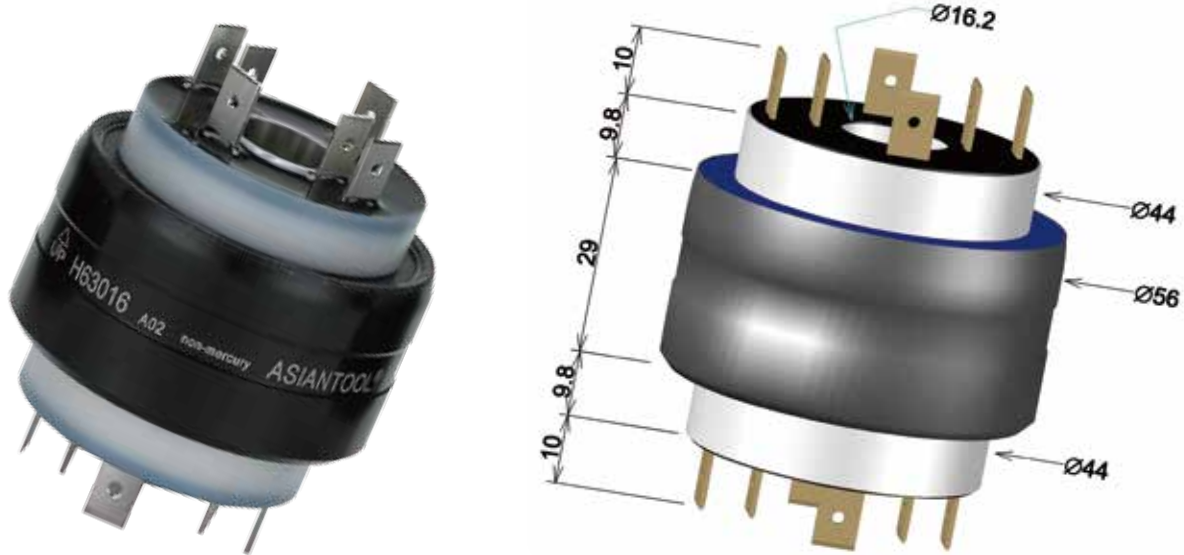
H23016 2poles/30A/AC250V
Through-bore:16.2mm



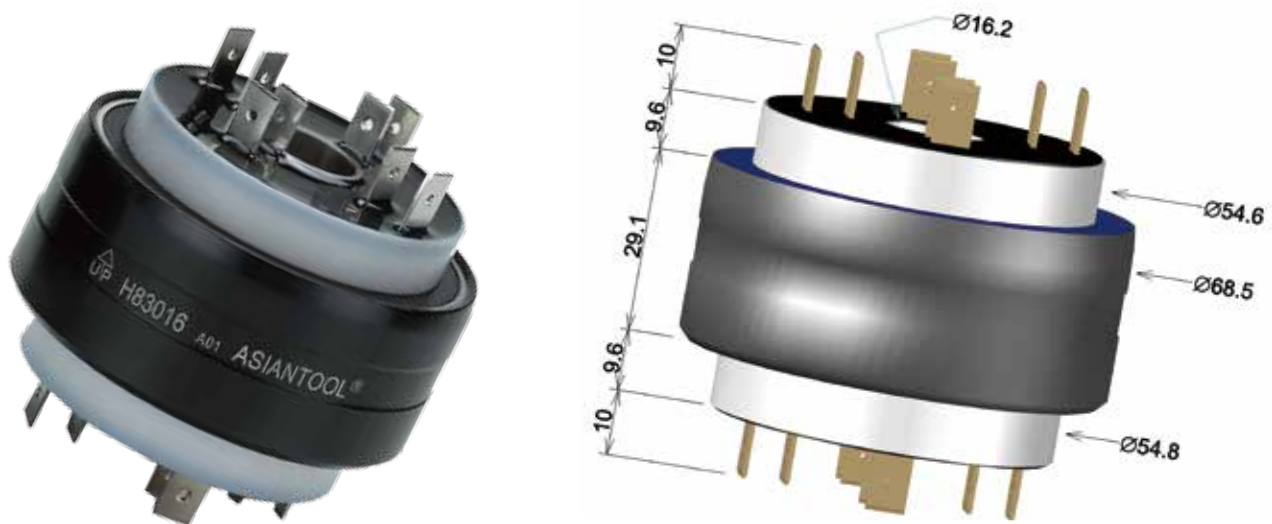
H43016 4poles/30A/AC250V
Through-bore:16.2mm



H63016 6poles/30A/AC250V Through-bore:16.2mm



H83016 8poles/30A/AC250V Through-bore:16.2mm



THROUGH BORE MULTI CONDUCTORS (10.2mm)

過孔式多極旋轉連接器(10.2mm)



Specification 規格

Model 型號	Through -bore ϕ 中空孔徑	Conductor Poles 極數	Current Amp. 電流	Voltage AC/V 耐壓	Max. Freq. MHZ 頻率	Max. RPM 最大轉速	Operating Temp. Max/Min $^{\circ}$ C 使用溫度	Rotating Torque (gm-cm) 轉矩	Insulation Resistance 絕緣阻抗
H23010	10.2mm	2	30	250	100	150	60/-30	700	> 25M Ω
H43010	10.2mm	4	30	250	100	100	60/-30	1000	> 25M Ω
H63010	10.2mm	6	30	250	100	60	60/-30	1500	> 25M Ω
H83010	10.2mm	8	30	250	100	40	60/-30	2000	> 25M Ω
H103010	10.2mm	10	30	250	100	20	60/-30	3000	> 25M Ω