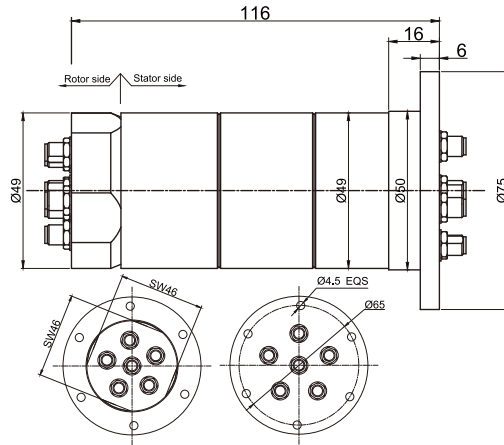


MHF600-SMA-8G6G



Rf channel characteristics

Channel	1	2	3	4	5	6
Interfaces	SMA-F(50Ω)					
Frequency	0~ 8GHz	0~ 8GHz	0~ 8GHz	0~ 6GHz	0~ 6GHz	0~ 6GHz
Vswr, max.	1.5dB	1.5dB	1.5dB	1.6dB	1.6dB	1.6dB
Vswr wow, Max	0.1					
Insertion loss, max.	1.4dB	1.4dB	1.5dB	1.5dB	1.5dB	1.5dB
Insertion loss fluctuation	0.15dB					
Isolation degree (minimum value)	70dB					

General mechanical data

Rotating speed, max.	60RPM
Working life (minimum)	5 million rpm
torque force	≤0.5N.M
Operation temperature	-40°C~ + 65°C
Storage temperature	-50°C~ + 70°C
Relative temperature (maximum)	95%
Ip protection level	IP65
Material	Aluminum Alloy
Humidity	GJB150.9A-2009
Vibrate	GJB150.16A-2009
Impact	GJB150.18A-2009