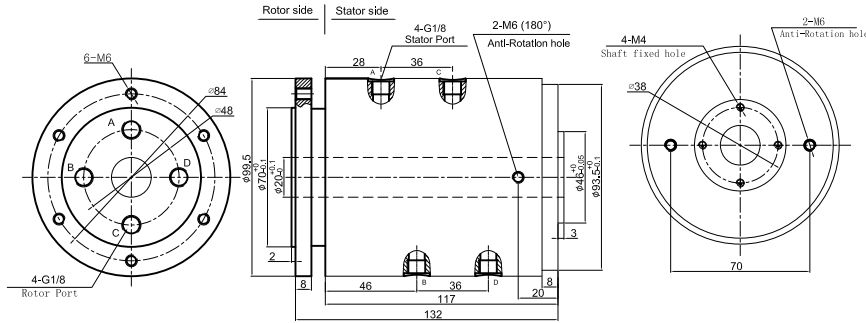
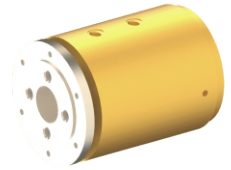


MJ4020 (ID 20mm, 4 ports in, 4 ports out)

MJ4020 is 4 passages through bore rotary union with bore size 20mm, supporting connection size G1/8 and G1/4, It can transfer media as compressed air, vacuum, hydrogen, nitrogen, steam, cooling water, hot water, oil and so on.



Part# Explanation

MJ 4020 - 02 - VC

Products quality level
 VC common quality version
 VD industrial quality version
 Default =VC version

MJ: Through bore rotary union
 4 : 4 ports in, 4 ports out
 020 : ID 20mm
 02 : Port size;
 01=M5 , 02=G1/8" , 03=G1/4" , 04=G3/8" , 05=G1/2"

Part# List

MJ4020 Parts# List				
Part#	Passage	Torque(N.M)	Connection Size	ID
MJ4020-02	4 ports in, 4 ports out	6	G1/8	20mm
MJ4020-03	4 ports in, 4 ports out	7	G1/4	20mm

Specifications

Rotary joint specifications	
Parameter	Value
Passages	4 ports in, 4 ports out,
Max pressure	10MPa (can be customized) , Vacuum 0.01torr
Torque	See Part#List

Product Quality Level Table

Quality Level Table			
Products Level Code	Max Rotating Speed	Working Life	Sealing Element
VC	100RPM	10 million	Common Seals
VD	300RPM	30 million	High-Quality Seals

Options for custom slip ring

Note: it can be customized as below requirements, lead time would increase 3~15 days, price would increase 5%~50%. Most basic parts of slip ring are standard and modularized, which saved costs and lead time.

- 1 Port size
- 2 Pressure
- 3 Rotating speed
- 4 Through bore size
- 5 Corrosive media, all stainless steel, anti-explosion, high temp etc
- 6 Can combine with electrical slip ring

technical support: technical@moflon.com