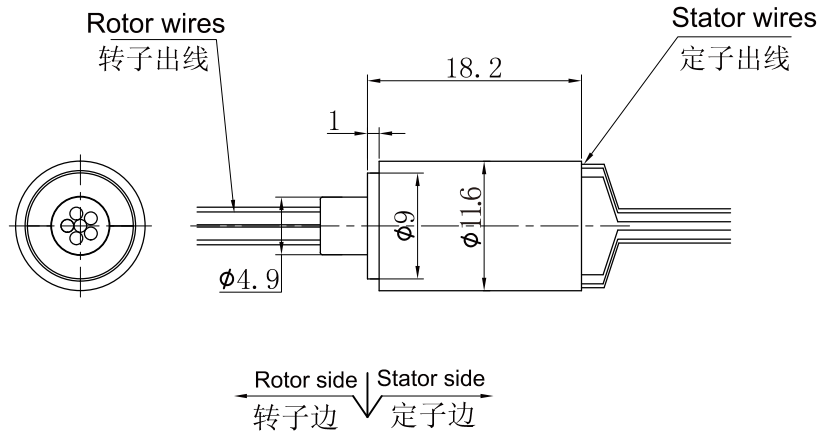


MMC181 Miniature Capsule Slip Rings

OD 6.5mm, 2~8circuit

MMC181 slip rings are small and compact with OD 11.6mm * L 18.2mm, standard, off-the-shelf. Color-coded lead wires are used on both the stator and rotor for simplified electrical connections. Using a 90° V-groove ring design for each ring.

MMC181 is the high-end version corresponding to MMC181, It has higher performance and longer working life, higher speed rotating speed, low noise.



Part# Explanation

MMC 181(9)-FL01

MMC:miniature capsule slip ring
181:common quality version
1819:high-end quality version

FL01: flange type

Specification

Electrical Data		
Parameter	Value	
	Power	Signal
Rated Voltage	0~220VAC/VDC	0~120VAC/VDC
Insulation Resistance	≥100MΩ/220VDC	≥100MΩ/150VDC
Lead Wires	AWG#28 teflon	AWG#28 teflon
Lead Length	Standard 300mm(adjustable)	
Dielectric Strength	500VAC@50Hz , 60s	
Electrical Noise	<0.01Ω	
Mechanical Data		
Parameter	Value	
Working Life	See Product Quality Level Table	
Rotating Speed	See Product Quality Level Table	
Working Temperature	-30°C~80°C	
Operating Humidity	0~85% RH	
Contact Material	See Product Quality Level Table	
Housing Material	See Product Quality Level Table	
Torque	0.005N.m ; +0.02N.m/6rings	
Protection Grade	IP51	

Part# List

MMC182 Series Part# List		
Part#	Signal/2A	Total Wires
MMC182	6	6

Note: N channels 2A rings parallel can be used as 1 channel $N \times 2A$ current. For example: 2 rings 2A parallel could be used as 1 wires 4A please contact sales for special requirements

Product Quality Level Table

Part#	Max Speed	Working Life	Housing Material	Electrical Noise①@10RPM
MMC182	250RPM	>10 million	Plastics	10mΩ
MMC1829	1000RPM	>30 million	Plastics	4mΩ

Lead Wires Color Code

Ring	1	2	3	4	5	6
Color	BLK	RED	YEL	GRN	BLU	WHT

Options for custom slip ring

- MMC1829 is the high-end version corresponding to MMC182.
- Optional flange mounting.
- Specified connectors and Heat-shrink tube.
- Longer lead lengths available.
- High temperature is optional.
- Military Grade.