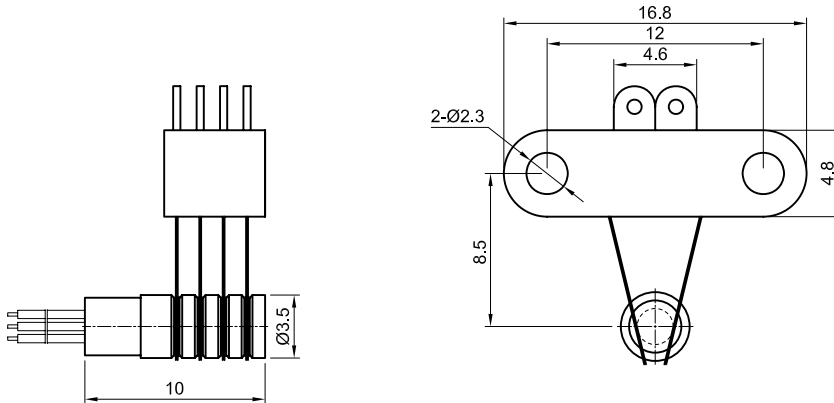


MSP104 Separated Slip Rings

4 rings*1A

MSP104 separated slip ring is a type of minitype slip rings. It adopts a separated rotor and contact brushes combination, supporting 4 wires for signal or 1A. The exiting wires in stator and rotor are correspondingly six colored wires, it can simplify the electrical connection. The 90-degree angle V-groove design has the characteristics of smooth rotation, low torque and low electrical noise, which can exceed ordinary slip ring products.



MSP1049 is the highest-end version of MSP104, which is used for military, aerospace, etc., differences as below

Parts#	Max working speed	Working life	Torque	Electrical noise①@10Rpm
MSP104	250RPM	20 million	0.02 N•m	10mΩ
MSP1049	1000RPM	100 million	0.005 N•m	4mΩ

Part# Explanation

MSP104 Part# Explanation		
Parts#	Signal or 1A	Products Level
MSP104	4	Common quality
MSP1049	4	High-end quality

Note: N channels 1A rings parallel can be used as 1 channel N*1A current. For example: 2 rings 1A parallel could be used as 1 wire 2A

Specifications

Electrical Data			Mechanical Data	
Parameter	Value		Parameter	Value
	Power	Signal	Working Temperature	-30°C~80°C
Rated Voltage	0~240VAC/VDC	0~240VAC/VDC	Operating Humidity	0~85% RH
Insulation Resistance	≥1000MΩ/500VDC	≥1000MΩ/500VDC	Contact Material	Gold-Gold
Lead Wires	AWG26#Teflon	AWG26#Teflon	Torque	IP41
Lead Length	Standard 300mm (adjustable)			
Dielectric Strength	500VAC@50Hz , 60s			
Electrical Noise	<0.01Ω			

Lead Wires Color Code

Ring	1	2	3	4
Code	BLK	RED	YLW	GRN