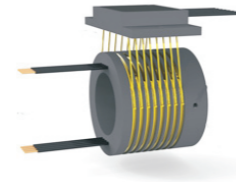


# MSP225 Series

Through bore 25.4mm(1"),Max OD: 52mm

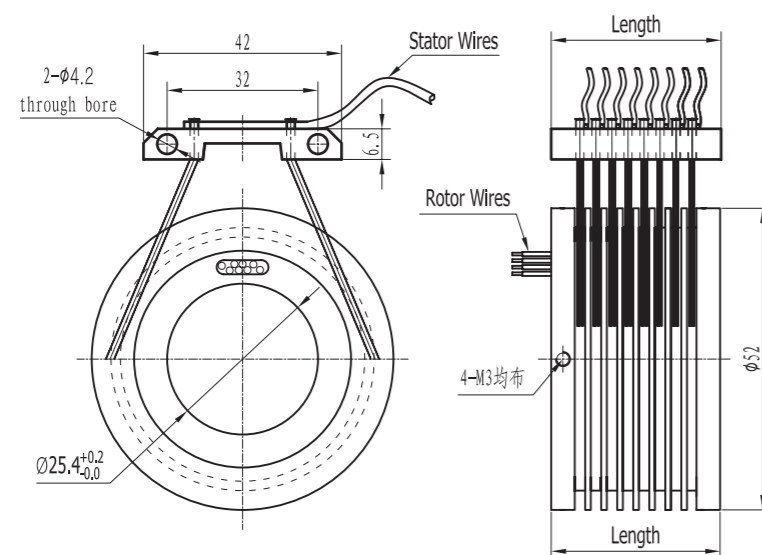
MSP225 slip rings are separated slip ring, with through bore 25.4mm, special designed for limited install space installation, standard, off-the-shelf, Color-coded lead wires are used on both the stator and rotor for simplified electrical connections.



## Specifications

Circuits	2~24(see next page)	Current	Signal(2A),10A,Multiple 10A
Voltage	400 VDC/VAC	Max speed	500RPM
Working life	depends on working speed	Contact material	Precious Metal:Gold-Gold
Electrical noise	<10 milliohms	Contact Resistance	<20mOhm
Dielectric strength	800VDC@50Hz	Lead Wire	UL Teflon® Awg22,Awg16
Insulation resistance	1000MΩ@600VDC	Lead Lengths	300mm(12")
Operating Temp.	-40°C to 80°C	Protection	Ip41
Mechanical vibratio	MIL-SID-810E	Humidity	10% to 85% RH
Materials	Lead Free,RoHS compliant	Certified	YES

## Drawings



## Parts List

**\*Please note: 10A rings parallel can be used as multiple 10A current.  
For Example: 2 rings parallel could be used as 1 wires 20A**

MSP22502 (Length=31.6mm)					
Parts#	Power 10A	signal/2A	Parts#	Power 10A	signal/2A
MSP22502-0200	2	0	MSP22502-0002	0	2

MSP22503 (Length=35mm)					
Parts#	Power 10A	signal/2A	Parts#	Power 10A	signal/2A
MSP22503-0300	3	0	MSP22503-0003	0	3
MSP22503-0102	1	2	MSP22503-0201	2	1

MSP22506 (Length=45mm)					
Parts#	Power 10A	signal/2A	Parts#	Power 10A	signal/2A
MSP22506-0600	6	0	MSP22506-0006	0	6
MSP22506-0204	2	4	MSP22506-0402	4	2

MSP22512 (Length=65.5mm)					
Parts#	Power 10A	signal/2A	Parts#	Power 10A	signal/2A
MSP22512-1200	12	0	MSP22512-0012	0	12
MSP22512-0210	2	10	MSP22512-0408	4	8
MSP22512-0606	6	6	MSP22512-0804	8	4
MSP22512-1002	10	2			

MSP22518 (Length=86mm)					
Parts#	Power 10A	signal/2A	Parts#	Power 10A	signal/2A
MSP22518-1800	18	0	MSP22518-0018	0	18
MSP22518-0216	2	16	MSP22518-0414	4	14
MSP22518-0612	6	12	MSP22518-0810	8	10
MSP22518-1008	10	8	MSP22518-1206	12	6
MSP22518-1404	14	4	MSP22518-1602	16	2

MSP22524 (Length=106.4mm)					
Parts#	Power 10A	signal/2A	Parts#	Power 10A	signal/2A
MSP22524-2400	24	0	MSP22524-0024	0	24
MSP22524-0618	6	18	MSP22524-1212	12	12
MSP22524-1806	18	6			