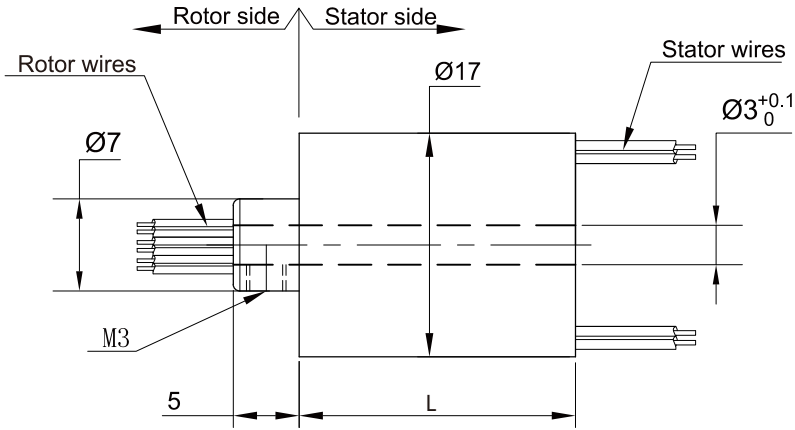


MT0317 Series

MT0317 series provides a 3mm through-bore for routing of hydraulic or pneumatic lines or hydraulic or pneumatic rotating shaft installation, and a compact 17mm outside diameter, features long life, fiber brush contact technology for ultimate performance in many challenging applications. MT0317 series are standard, off-the-shelf products, Color-coded lead wires are used on both the stator and rotor for simplified electrical connections. It can transmit signal(2A), 5A current when 360° degree free rotating.



Part# Explanation



Part# List

MT0317 Series Parts# List		
Part#	Signal or 2A	Length-L (mm)
MT0317-S02	2	13.3
MT0317-S03	3	13.3
MT0317-S04	4	13.3
MT0317-S06	6	21
MT0317-S08	8	21

Note:N channels 2A rings parallel can be used as 1 channel N*2A current. For example: 2 rings 2A parallel could be used as 1 wires 4A

Specifications

Mechanical Data		Electrical Data		
Parameter	Value	Parameter	Value	
Working Life	10 million revs	Power	Signal	
Rotating Speed	Max 250RPM	Rated Voltage	0~240VAC/VDC	0~240VAC/VDC
Working Temperature	-30°C~80°C	Insulation Resistance	≥500MΩ/500VDC	≥500MΩ/500VDC
Operating Humidity	0~85% RH	Lead Wires	AWG28#Teflon	AWG28#Teflon
Contact Material	Gold-gold	Lead Length	Standard 300mm(adjustable)	
Housing Material	Aluminium Alloy	Insulation Strength	500VAC@50Hz , 60s	
Torque	0.05N.m ; +0.02N.m/6rings	Electrical Noise	<0.01Ω	
Protection Grade	IP51			

Lead Wires Color Code

Ring	1	2	3	4	5	6	7	8
Color	RED	GRN	YEL	WLT	GRY	BLK	BLU	DKBU