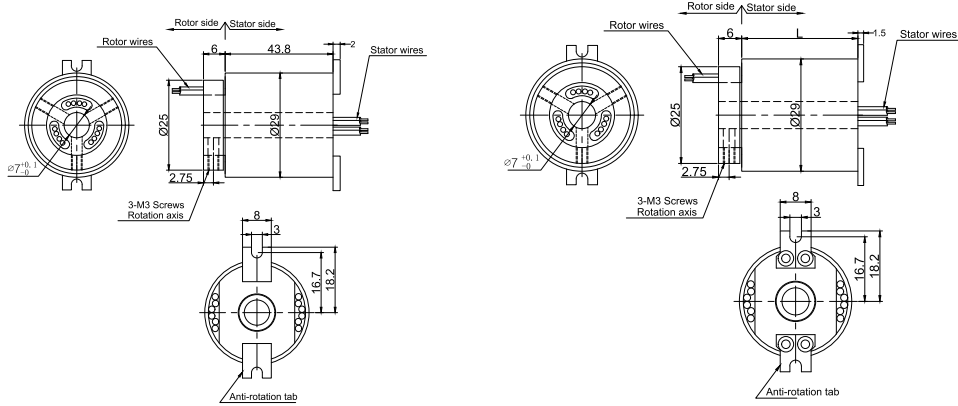
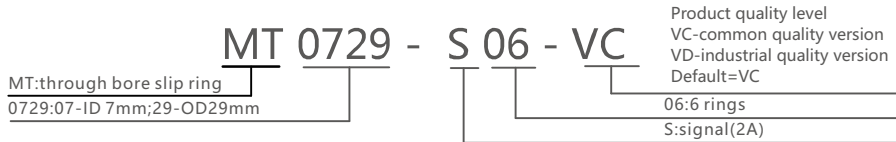


MT0729 Series

MT0729 series provides a 7mm through-bore for routing of hydraulic or pneumatic lines or hydraulic or pneumatic rotating shaft installation, and a compact 29mm outside diameter, features long life, fiber brush contact technology for ultimate performance in many challenging applications. MT0729 series are standard, off-the-shelf products, Color-coded lead wires are used on both the stator and rotor for simplified electrical connections. It can transmit signal(2A), 5A current when 360° degree free rotating.



Part# Explanation



Part# List				Specifications		
MT0729 Series Parts# List				Electrical Data		
Part#	10A	Signal or 5A	Length-L (mm)	Parameter	Value	
MT0729-S02	0	2	30	Rated Voltage	0~240VAC/VDC	0~240VAC/VDC
MT0729-P0210	2	0	30	Insulation Resistance	≥200MΩ/300VDC	≥200MΩ/300VDC
MT0729-S03	0	3	30	Lead Wires	AWG17#Teflon AWG22#Teflon	
MT0729-P0310	3	0	30	Lead Length	Standard 300mm(adjustable)	
MT0729-S04	0	4	30	Insulation Strength	200VAC@50Hz,60s	
MT0729-P0410	4	0	30	Electrical Noise	<0.01Ω	
MT0729-S06	0	6	30	Mechanical Data		
MT0729-P0210-S03	2	3	30	Parameter	Value	
MT0729-P0410-S02	4	2	30	Working Life	See Product Quality Level Table	
MT0729-P0610	6	0	43.8	Rotating Speed	See Product Quality Level Table	
MT0729-S12	0	12	43.8	Working Temperature	-30°C~80°C	
MT0729-P0210-S09	2	9	43.8	Operating Humidity	0~85% RH	
MT0729-P0410-S06	4	6	43.8	Contact Material	See Product Quality Level Table	
MT0729-P0610-S03	6	3	43.8	Housing Material	Aluminium Alloy	
MT0729-P0810-S06	8	6	57.6	Torque	0.05N.m;+0.02N.m/6 rings	
MT0729-P1010-S03	10	3	57.6	Protection Grade	IP51	
MT0729-P1210	12	0	57.6			

Note:N channels 5A rings parallel can be used as 1 channel N*5A current. For example: 2 rings 5A parallel could be used as 1 wires 10A

Product Quality Level Table

Products Level Code	Max Rotating Speed	Working Life	Contact Material
VC	250RPM	10 Million Revs	Precious Metal
VD	600RPM	20 Million Revs	Gold-Gold

Lead Wires Color Code

Ring	1	2	3	4	5	6	7	8	9	10	11	12
Color	BLK	RED	YEL	GRN	BLU	WHT	BLK	RED	YEL	GRN	BLU	WHT

(6 wires for 1 group color, from 7-12, repeat the same color as 1...6, indicated with number code pipe)