

MT Series through bore Slip Rings

MT series through bore slip ring is mainly used for transmitting all kinds of signal and power circuits with a through bore, designed for through bore hydraulic or pneumatic rotating shaft installation.



Features

- Uses fiber brush technology which offers several advantages over conventional slip ring contacts including multiple points of contact per brush bundle
- Bore size from 12.7 to 300mm
- Standard, off-the-shelf
- Gold plated ring and Gold alloy brush
- Support power, signals transmitting
- Rings combination is available

MT Series Models

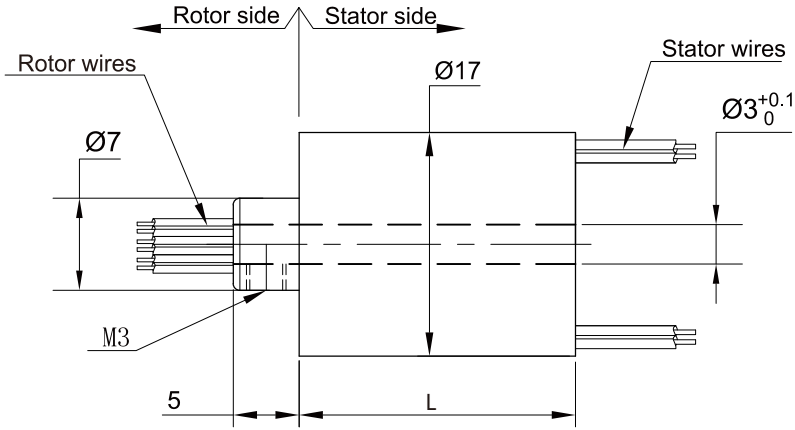
Model#	ID (mm)	OD (mm)	Circuits (Rings)
MT0317	3	17	1~8
MT0522	5	22	1~15
MT0724	7	24.8	1~12
MT0729	7	29	1~12
MT1233	12.7	33	1~12
MT1242	12.7	42	1~12
MT2042	20	42	1~12
MT1256	12.7	56	1~48
MT1256F	12.7	56	1~48
MT1286	12.7	86	1~96
MT2069	20	69	1~48
MT2069F	20	69	1~48
MT2586	25.4	86	1~72
MT2586F	25.4	86	1~72
MT25119	25.4	119	1~144
MT3099	30	99	1~72
MT3899	38.1	99	1~72

Model#	ID (mm)	OD (mm)	Circuits (Rings)
MT3899F	38.1	99	1~72
MT50119	50	119	1~108
MT50119F	50	119	1~108
MT50130	50	130	1~144
MT60130	60	130	1~108
MT70158	70	158	1~108
MT80158	80	158	1~108
MT90185	90	185	1~108
MT100185	100	185	1~108
MT120215	120	215	1~108
MT150248	150	248	1~108
MT180298	180	298	1~108
MT200345	200	345	1~108
MT210345	210	345	1~108
MT250398	250	398	1~108
MT300476	300	476	1~108

60% of MOFLON's sales are customized solutions, please contact customer service for special requirements.

MT0317 Series

MT0317 series provides a 3mm through-bore for routing of hydraulic or pneumatic lines or hydraulic or pneumatic rotating shaft installation, and a compact 17mm outside diameter, features long life, fiber brush contact technology for ultimate performance in many challenging applications. MT0317 series are standard, off-the-shelf products, Color-coded lead wires are used on both the stator and rotor for simplified electrical connections. It can transmit signal(2A), 5A current when 360° degree free rotating.



Part# Explanation



Part# List

MT0317 Series Parts# List		
Part#	Signal or 2A	Length-L (mm)
MT0317-S02	2	13.3
MT0317-S03	3	21
MT0317-S04	4	21
MT0317-S06	6	21
MT0317-S08	8	21

Note:N channels 2A rings parallel can be used as 1 channel N*2A current. For example: 2 rings 2A parallel could be used as 1 wires 4A

Specifications

Mechanical Data		Electrical Data		
Parameter	Value	Parameter	Value	
Working Life	10 million revs		Power	Signal
Rotating Speed	Max 250RPM	Rated Voltage	0~220VAC/VDC	0~220VAC/VDC
Working Temperature	-30°C~80°C	Insulation Resistance	≥100MΩ/220VDC	≥100MΩ/220VDC
Operating Humidity	0~85% RH	Lead Wires	AWG28#Teflon	AWG28#Teflon
Contact Material	Gold-gold	Lead Length	Standard 300mm(adjustable)	
Housing Material	PBT	Insulation Strength	500VAC@50Hz, 60s	
Torque	0.05N.m ; +0.02N.m/6rings	Electrical Noise	<0.01Ω	
Protection Grade	IP51			

Lead Wires Color Code

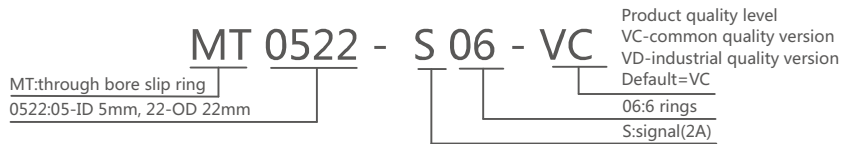
Ring Color	4 wire	1	2	3	4	8 wire	1	2	3	4	5	6	7	8
		BLK	RED	YEL	GRN		RED	GRN	YEL	PUR	GRA	BLK	BLU	DKBU

MT0522 Series

MT0522 series provides a 5mm through-bore for routing of hydraulic or pneumatic lines or hydraulic or pneumatic rotating shaft installation, and a compact 22mm outside diameter, features long life, fiber brush contact technology for ultimate performance in many challenging applications. MT0522 series are standard, off-the-shelf products, Color-coded lead wires are used on both the stator and rotor for simplified electrical connections. It can transmit signal(2A), 5A current when 360° degree free rotating.



Part# Explanation



Part# List

MT0522 Series Parts# List		
Part#	Signal or 2A	Length-L (mm)
MT0522-S02	2	19
MT0522-S04	4	19
MT0522-S06	6	19
MT0522-S08	8	30
MT0522-S10	10	30
MT0522-S12	12	30
MT0522-S15	15	30

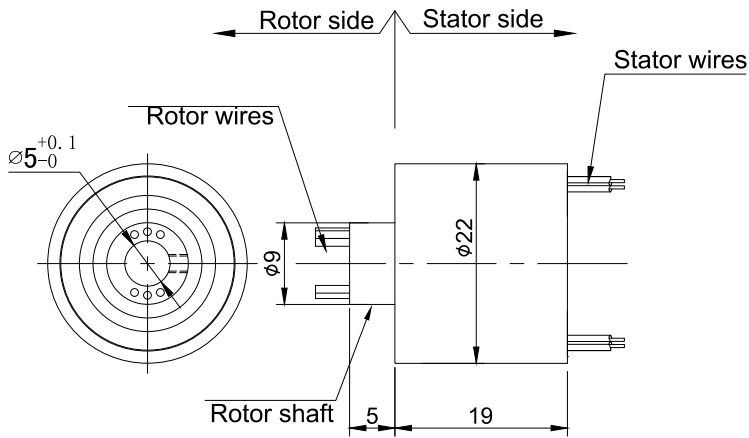
Note:N channels 2A rings parallel can be used as 1 channel N*2A current. For example: 2 rings 2A parallel could be used as 1 wires 4A

Specifications

Mechanical Data		Electrical Data		
Parameter	Value	Parameter	Value	
Working Life	10 million revs	Rated Voltage	Power	Signal
Rotating Speed	Max 250RPM		0~220VAC/VDC	0~220VAC/VDC
Working Temperature	-30°C~80°C	Insulation Resistance	≥100MΩ/220VDC	
Operating Humidity	0~85% RH		Lead Wires	MT0522-S06
Contact Material	Gold-gold	AWG26#Teflon		AWG28#Teflon
Housing Material	PBT	Lead Length	Standard 300mm(adjustable)	
Torque	0.05N.m ; +0.02N.m/6rings	Insulation Strength	500VAC@50Hz , 60s	
Protection Grade	IP51	Electrical Noise	<0.01Ω	

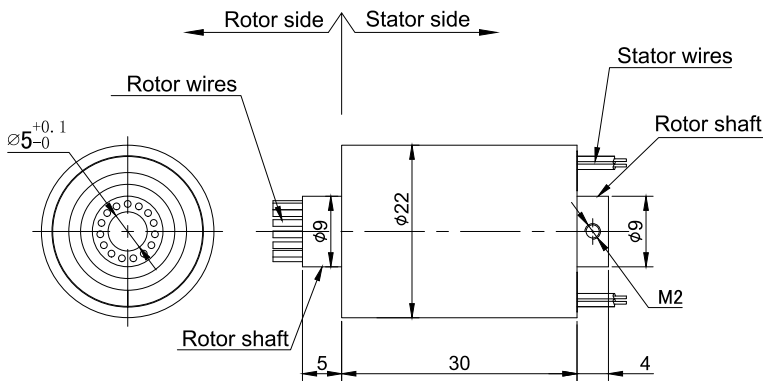
Product Quality Level Table

Products Level Code	Max Rotating Speed	Working Life	Contact Material
VC	250RPM	20 Million Revs	Precious Metal
VD	600RPM	60 Million Revs	Gold-Gold



Lead Wires Color Code

Ring	1	2	3	4	5	6
Color	BLK	RED	YEL	GRY	BLU	WHT



Lead Wires Color Code

Ring	1	2	3	4	5	6	7	8	9	10	11	12
Color	RED	GRN	YEL	VLT	GRY	BLK	BLU	DKBU	BRN	ORN	WHT	DKYEL
Ring	13		14			15						
Color	WHT-RED		WHT-BLK			WHT-BLU						

Options For Custom Slip Ring

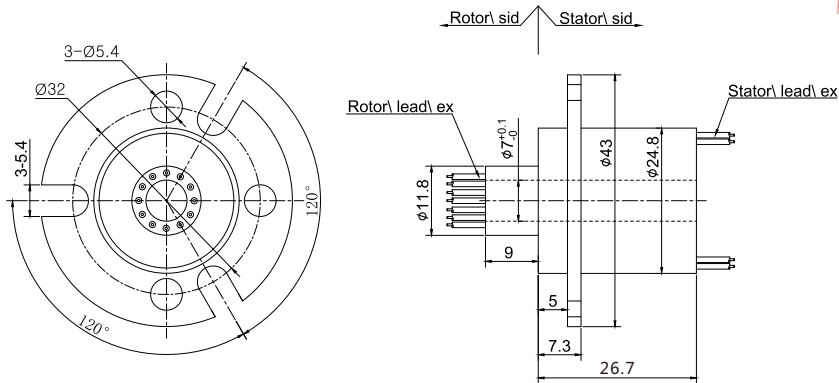
Note: Below special demands can be customized. According, the delivery date will be extended 3 to 15 days; also the cost will be increased 30% to 50%. Most of our basic parts are standard and modular, which can save the cost and lead time.

- ① Cable exit way and cable length can be customized for both rotor and stator.
- ② Because of the structure limitation, length/height/OD can be customized on your request.
- ③ Support current or signal up to 200 rings.
- ④ Aviation plug, terminal and heat-shrink tube are optional.
- ⑤ Hybrid slip ring for Yaskawa/Panasonic/Siemens servo control signal, power line and encoder line.
- ⑥ Support mixed high speed data transmission (including Ethernet, USB, RS232, RS485, Profibus, CanBUS, CANOPEN, DeviceNET, CC-LINK, ProfiNET, EtherCAT, etc.)
- ⑦ Can combine temperature control signal with thermocouple signal.
- ⑧ Special environment can be customized, such as quakeproof, high temperature, etc.
- ⑨ Hybrid Pneumatic/hydraulic and electric slip ring can be mixed.
- ⑩ High temperature can up to 500 degrees.
- ⑪ High pressure can up to 110KV
- ⑫ Rotating speed can up to 10000RPM
- ⑬ Maximum current can up to 5000 amperes.
- ⑭ Military grade
- ⑮ Optional for underwater IP65, IP68.
- ⑯ Optional for stainless steel housing

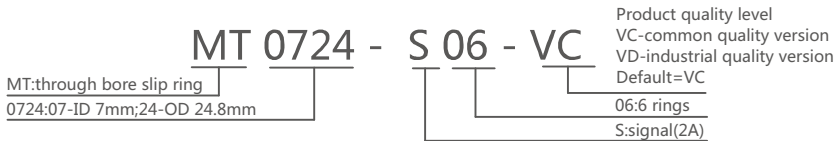
Technical support: technical@moflon.com

MT0724 Series

MT0724 series provides a 7mm through-bore for routing of hydraulic or pneumatic lines or hydraulic or pneumatic rotating shaft installation, and a compact 24.8mm outside diameter, features long life, fiber brush contact technology for ultimate performance in many challenging applications. MT0724 series are standard, off-the-shelf products, Color-coded lead wires are used on both the stator and rotor for simplified electrical connections. It can transmit signal(2A), 5A current when 360° degree free rotating.



Part# Explanation



Part# List

MT0724 Series Parts# List		
Part#	Signal or 2A	Length-L (mm)
MT0724-S02	2	26.7
MT0724-S04	4	26.7
MT0724-S06	6	26.7
MT0724-S08	8	26.7
MT0724-S10	10	26.7
MT0724-S12	12	26.7

Note:N channels 2A rings parallel can be used as 1 channel N*2A current. For example: 2 rings 2A parallel could be used as 1 wires 4A

Specifications

Mechanical Data		Electrical Data		
Parameter	Value	Parameter	Value	
Working Life	10 million revs	Rated Voltage	Power	Signal
Rotating Speed	Max 250RPM	Insulation Resistance	0~220VAC/VDC	0~220VAC/VDC
Working Temperature	-30°C~80°C	Lead Wires	≥100MΩ/220VDC	≥100MΩ/220VDC
Operating Humidity	0~85% RH	Lead Length	AWG28#Teflon	AWG28#Teflon
Contact Material	Gold-gold	Insulation Strength	Standard 300mm(adjustable)	
Housing Material	Aluminium Alloy	Electrical Noise	500VAC@50Hz, 60s	
Torque	0.05N.m ; +0.02N.m/6rings		<0.01Ω	
Protection Grade	IP51			

Product Quality Level Table

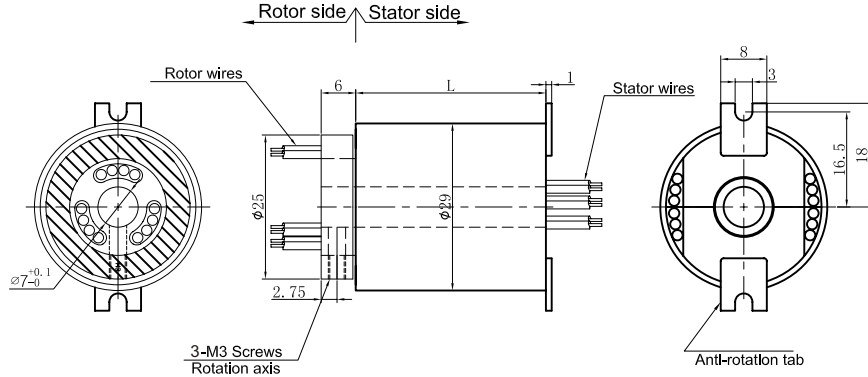
Products Level Code	Max Rotating Speed	Working Life	Contact Material
VC	250RPM	20 Million Revs	Precious Metal
VD	600RPM	60 Million Revs	Gold-Gold

Lead Wires Color Code

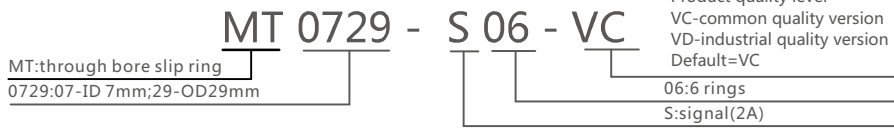
Ring Color	4 wire	1	2	3	4	8 wire	1	2	3	4	5	6	7	8
		BLK	RED	YEL	GRN		RED	GRN	YEL	PUR	GRA	BLK	BLU	DKBU

MT0729 Series

MT0729 series provides a 7mm through-bore for routing of hydraulic or pneumatic lines or hydraulic or pneumatic rotating shaft installation, and a compact 29mm outside diameter, features long life, fiber brush contact technology for ultimate performance in many challenging applications. MT0729 series are standard, off-the-shelf products, Color-coded lead wires are used on both the stator and rotor for simplified electrical connections. It can transmit signal(2A), 5A current when 360° degree free rotating.



Part# Explanation



Part# List

MT0729 Series Parts# List			
Part#	10A	Signal or 5A	Length-L (mm)
MT0729-S02	0	2	30
MT0729-P0210	2	0	30
MT0729-S03	0	3	30
MT0729-P0310	3	0	30
MT0729-S04	0	4	30
MT0729-P0410	4	0	30
MT0729-S06	0	6	30
MT0729-P0210-S03	2	3	30
MT0729-P0410-S02	4	2	30
MT0729-P0610	6	0	43.8
MT0729-S12	0	12	43.8
MT0729-P0210-S09	2	10	43.8
MT0729-P0310-S09	3	9	43.8
MT0729-P0410-S06	4	8	43.8
MT0729-P0610-S03	6	6	43.8
MT0729-P0810-S06	8	4	57.6
MT0729-P1010-S03	10	2	57.6
MT0729-P1210	12	0	57.6

Note: N channels 5A rings parallel can be used as 1 channel N*5A current. For example: 2 rings 5A parallel could be used as 1 wires 10A

Specifications

Electrical Data		
Parameter	Value	
	Power	Signal
Rated Voltage	0~240VAC/VDC	0~240VAC/VDC
Insulation Resistance	≥500MΩ/500VDC	≥200MΩ/300VDC
Lead Wires	AWG17#Teflon	AWG22#Teflon
Lead Length	Standard 300mm(adjustable)	
Insulation Strength	500VAC@50Hz , 60s	
Electrical Noise	<0.01Ω	
Mechanical Data		
Parameter	Value	
Working Life	See Product Quality Level Table	
Rotating Speed	See Product Quality Level Table	
Working Temperature	-30°C~80°C	
Operating Humidity	0~85% RH	
Contact Material	See Product Quality Level Table	
Housing Material	Aluminium Alloy	
Torque	0.05N.m; +0.02N.m/6 rings	
Protection Grade	IP51	

Product Quality Level Table

Products Level Code	Max Rotating Speed	Working Life	Contact Material
VC	250RPM	20 Million Revs	Precious Metal
VD	600RPM	60 Million Revs	Gold-Gold

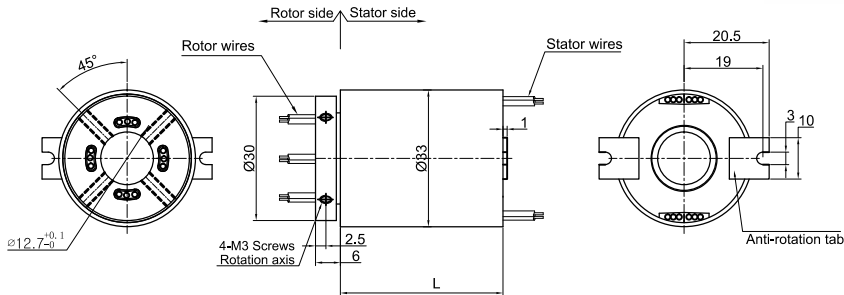
Lead Wires Color Code

Ring	1	2	3	4	5	6	7	8	9	10	11	12
Color	BLK	RED	YEL	GRN	BLU	WHT	BLK	RED	YEL	GRN	BLU	WHT

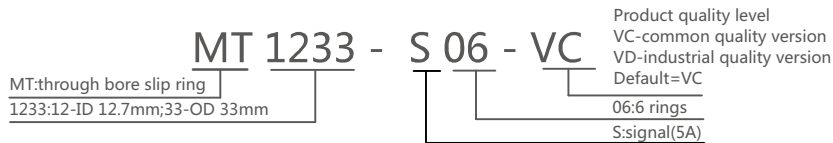
(6 wires for 1 group color, from 7-12, repeat the same color as 1...6, indicated with number code pipe)

MT1233 Series

MT1233 series provides a 12.7mm through-bore for routing of hydraulic or pneumatic lines or hydraulic or pneumatic rotating shaft installation, and a compact 33mm outside diameter, features long life, fiber brush contact technology for ultimate performance in many challenging applications. MT1233 series are standard, off-the-shelf products, Color-coded lead wires are used on both the stator and rotor for simplified electrical connections. It can transmit signal(2A), 5A current when 360° degree free rotating.



Part# Explanation



Part# List

MT1233 Series Parts# List		
Part#	Signal or 5A	Length-L (mm)
MT1233-S02	2	25.4
MT1233-S03	3	25.4
MT1233-S04	4	25.4
MT1233-S06	6	25.4
MT1233-S08	8	39.2
MT1233-S10	10	39.2
MT1233-S12	12	39.2

Note: N channels 5A rings parallel can be used as 1 channel N*5A current. For example: 2 rings 5A parallel could be used as 1 wires 10A. If each circuit need to pass current over 5A, please contact customer service for more details.

Specifications

Electrical Data		
Parameter	Value	
	Power	Signal
Rated Voltage	0~240VAC/VDC	0~240VAC/VDC
Insulation Resistance	≥ 500MΩ/500VDC	≥ 500MΩ/500VDC
Lead Wires	AWG17,AWG22#Teflon	AWG22#Teflon
Lead Length	Standard 300mm(adjustable)	
Insulation Strength	500VAC@50Hz , 60s	
Electrical Noise	<0.01Ω	
Mechanical Data		
Parameter	Value	
Working Life	See Product Quality Level Table	
Rotating Speed	See Product Quality Level Table	
Working Temperature	-30°C~80°C	
Operating Humidity	0~85% RH	
Contact Material	See Product Quality Level Table	
Housing Material	PBT	
Torque	0.1N.m; +0.03N.m/6rings	
Protection Grade	IP51	

Product Quality Level Table

Products Level Code	Max Rotating Speed	Working Life	Contact Material
VC	250RPM	20 Million Revs	Precious Metal
VD	1000RPM	60 Million Revs	Gold-Gold

Lead Wires Color Code

Ring	1	2	3	4	5	6	7	8	9	10	11	12
Color	BLK	RED	YEL	GRN	BLU	WHT	BLK	RED	YEL	GRN	BLU	WHT

(6 wires for 1 group color, from 7-12, repeat the same color as 1...6, indicated with number code pipe)

Options For Custom Slip Ring

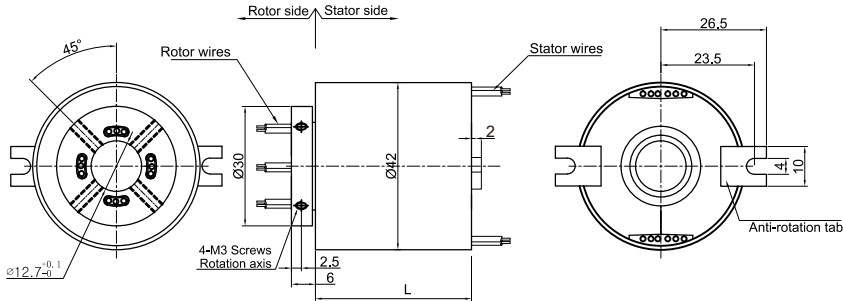
Note: Below special demands can be customized. According, the delivery date will be extended 3 to 15 days; also the cost will be increased 30% to 50%. Most of our basic parts are standard and modular, which can save the cost and lead time.

- ① Cable exit way and cable length can be customized for both rotor and stator.
- ② Because of the structure limitation, length/height/OD can be customized on your request.
- ③ Support current or signal up to 200 rings.
- ④ Aviation plug, terminal and heat-shrink tube are optional.
- ⑤ Hybrid slip ring for Yaskawa/Panasonic/Siemens servo control signal, power line and encoder line.
- ⑥ Support mixed high speed data transmission (including Ethernet, USB, RS232, RS485, Profibus, CanBUS, CANOPEN, DeviceNET, CC-LINK, ProfiNET, EtherCAT, etc.)
- ⑦ Can combine temperature control signal with thermocouple signal.
- ⑧ Special environment can be customized, such as quakeproof, high temperature, etc.
- ⑨ Hybrid Pneumatic/hydraulic and electric slip ring can be mixed.
- ⑩ High temperature can up to 500 degrees.
- ⑪ High pressure can up to 110KV
- ⑫ Rotating speed can up to 10000RPM
- ⑬ Maximum current can up to 5000 amperes.
- ⑭ Military grade
- ⑮ Optional for underwater IP65, IP68.
- ⑯ Optional for stainless steel housing

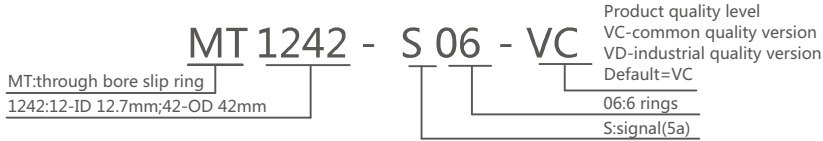
Technical support: technical@moflon.com

MT1242 Series

MT1242 series provides a 12.7mm through-bore for routing of hydraulic or pneumatic lines or hydraulic or pneumatic rotating shaft installation, and a compact 42mm outside diameter, features long life, fiber brush contact technology for ultimate performance in many challenging applications. MT1242 series are standard, off-the-shelf products, Color-coded lead wires are used on both the stator and rotor for simplified electrical connections. It can transmit signal (2A), 5A current when 360° degree free rotating.



Part# Explanation



Part# List

MT1242 Series Parts# List		
Part#	Signal or 5A	Length-L (mm)
MT1242-S02	2	25.4
MT1242-S03	3	25.4
MT1242-S04	4	25.4
MT1242-S06	6	25.4
MT1242-S08	8	39.2
MT1242-S10	10	39.2
MT1242-S12	12	39.2

Note: N channels 5A rings parallel can be used as 1 channel N*5A current. For example: 2 rings 5A parallel could be used as 1 wires 10A. If each circuit need to pass current over 5A, please contact customer service for more details.

Specifications

Electrical Data	
Parameter	Value
	Power
Rated Voltage	0~240VAC/VDC
Insulation Resistance	$\geq 500M\Omega/500VDC$
Lead Wires	AWG17, AWG22#Teflon
Lead Length	Standard 300mm (adjustable)
Insulation Strength	500VAC@50Hz, 60s
Electrical Noise	<0.01 Ω
	Signal
Rated Voltage	0~240VAC/VDC
Insulation Resistance	$\geq 500M\Omega/500VDC$
Lead Wires	AWG22#Teflon
Mechanical Data	
Parameter	Value
Working Life	See Product Quality Level Table
Rotating Speed	See Product Quality Level Table
Working Temperature	-30°C~80°C
Operating Humidity	0~85% RH
Contact Material	See Product Quality Level Table
Housing Material	PBT
Torque	0.1N.m; +0.03N.m/6rings
Protection Grade	IP51

Product Quality Level Table

Products Level Code	Max Rotating Speed	Working Life	Contact Material
VC	400PRM	30 Million Revs	Precious Metal
VD	1200PRM	80 Million Revs	Gold-Gold

Lead Wires Color Code

Ring	1	2	3	4	5	6	7	8	9	10	11	12
Color	BLK	RED	YEL	GRN	BLU	WHT	BLK	RED	YEL	GRN	BLU	WHT

(6 wires for 1 group colors, from 7-12, repeat the same color as 1...6, indicated with number code pipe)

Options For Custom Slip Ring

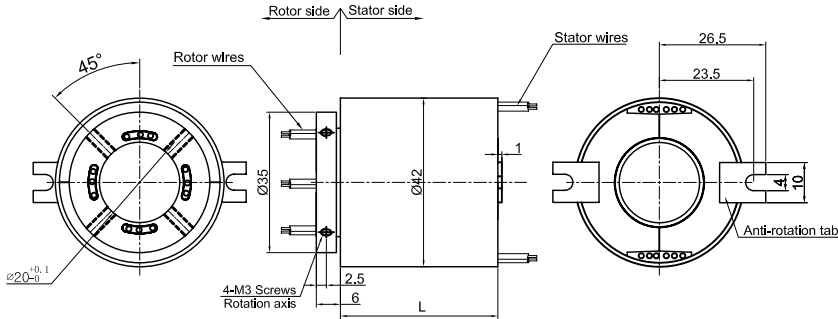
Note: Below special demands can be customized. According, the delivery date will be extended 3 to 15 days; also the cost will be increased 30% to 50%. Most of our basic parts are standard and modular, which can save the cost and lead time.

- ① Cable exit way and cable length can be customized for both rotor and stator.
- ② Because of the structure limitation, length/height/OD can be customized on your request.
- ③ Support current or signal up to 200 rings.
- ④ Aviation plug, terminal and heat-shrink tube are optional.
- ⑤ Hybrid slip ring for Yaskawa/Panasonic/Siemens servo control signal, power line and encoder line.
- ⑥ Support mixed high speed data transmission (including Ethernet, USB, RS232, RS485, Profibus, CanBUS, CANOPEN, DeviceNET, CC-LINK, ProfiNET, EtherCAT, etc.)
- ⑦ Can combine temperature control signal with thermocouple signal.
- ⑧ Special environment can be customized, such as quakeproof, high temperature, etc.
- ⑨ Hybrid Pneumatic/hydraulic and electric slip ring can be mixed.
- ⑩ High temperature can up to 500 degrees.
- ⑪ High pressure can up to 110KV
- ⑫ Rotating speed can up to 10000RPM
- ⑬ Maximum current can up to 5000 amperes.
- ⑭ Military grade
- ⑮ Optional for underwater IP65, IP68.
- ⑯ Optional for stainless steel housing

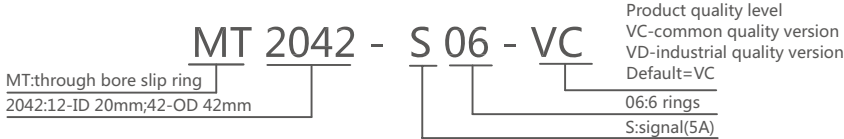
Technical support: technical@moflon.com

MT2042 Series

MT2042 series provides a 20mm through-bore for routing of hydraulic or pneumatic lines or hydraulic or pneumatic rotating shaft installation, and a compact 42mm outside diameter, features long life, fiber brush contact technology for ultimate performance in many challenging applications. MT2042 series are standard, off-the-shelf products, Color-coded lead wires are used on both the stator and rotor for simplified electrical connections. It can transmit signal (2A), 5A current when 360° degree free rotating.



Part# Explanation



Part# List

MT2042 Series Parts# List		
Part#	Signal or 5A	Length-L (mm)
MT2042-S02	2	25.4
MT2042-S03	3	25.4
MT2042-S04	4	25.4
MT2042-S06	6	25.4
MT2042-S08	8	39.2
MT2042-S10	10	39.2
MT2042-S12	12	39.2

Note: N channels 5A rings parallel can be used as 1 channel N*5A current. For example: 2 rings 5A parallel could be used as 1 wires 10A. Circuit number and current strength can be customized, please contact customer service for more details.

Specifications

Mechanical Data		Electrical Data		
Parameter	Value	Parameter	Value	
Working Life	10 million revs	Rated Voltage	Power	Signal
Rotating Speed	Max 250RPM		0~240VAC/VDC	0~240VAC/VDC
Working Temperature	-30°C~80°C	Insulation Resistance	≥500MΩ/500VDC	≥500MΩ/500VDC
Operating Humidity	0~85% RH	Lead Wires	AWG28#Teflon	AWG28#Teflon
Contact Material	Gold-gold	Lead Length	Standard 300mm(adjustable)	
Housing Material	PBT	Insulation Strength	500VAC@50Hz, 60s	
Torque	0.05N.m ; +0.02N.m/6rings	Electrical Noise	<0.01Ω	
Protection Grade	IP51			

Product Quality Level Table

Products Level Code	Max Rotating Speed	Working Life	Contact Material
VC	250RPM	20 Million Revs	Precious Metal
VD	600RPM	60 Million Revs	Gold-Gold

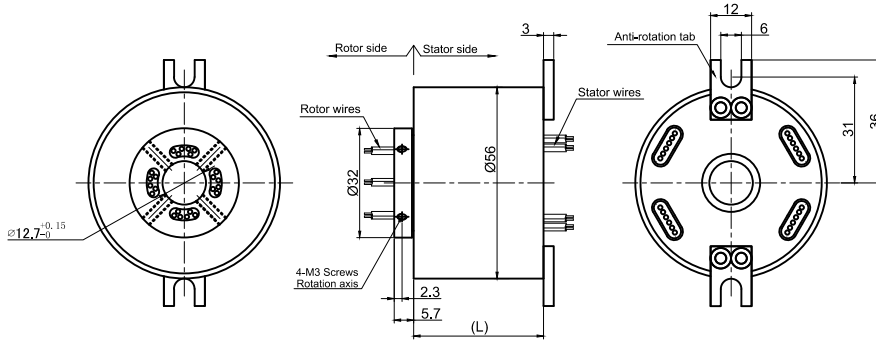
Lead Wires Color Code

Ring	1	2	3	4	5	6	7	8	9	10	11	12
Color	BLK	RED	YEL	GRN	BLU	WHT	BLK	RED	YEL	GRN	BLU	WHT

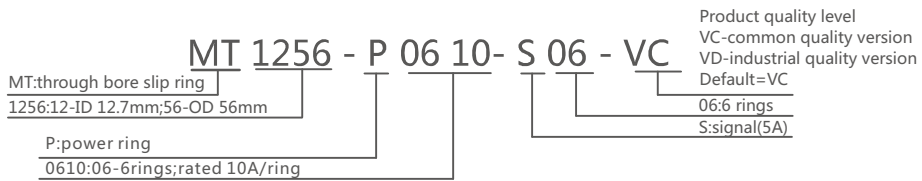
(6 wires for 1 group color, from 7-12, repeat the same color as 1...6, indicated with number code pipe)

MT1256 Series

MT1256 series provides a 12.7mm through-bore for routing of hydraulic or pneumatic lines or hydraulic or pneumatic rotating shaft installation, and a compact 56mm outside diameter, features long life, fiber brush contact technology for ultimate performance in many challenging applications. MT1256 series are standard, off-the-shelf products, Color-coded lead wires are used on both the stator and rotor for simplified electrical connections. It can transmit signal(2A), 10A, multiple 10A current when 360° degree free rotating.



Part# Explanation



Part# List

MT1256 Series Parts# List							
Part#	10A	Signal or 5A	Length-L (mm)	Part#	10A	Signal or 5A	Length-L (mm)
MT1256-S02	0	2	26.8	MT1256-P0210-S16	2	16	71.5
MT1256-P0210	2	0	26.8	MT1256-P0410-S14	4	14	71.5
MT1256-S03	0	3	29.6	MT1256-P0610-S12	6	12	71.5
MT1256-P0310	3	0	29.6	MT1256-P0810-S10	8	10	71.5
MT1256-S06	0	6	38	MT1256-P1010-S08	10	8	71.5
MT1256-P0210-S04	2	4	38	MT1256-P1210-S06	12	6	71.5
MT1256-P0410-S02	4	2	38	MT1256-S24	0	24	88.4
MT1256-P0610	6	0	38	MT1256-P0410-S20	4	20	88.4
MT1256-S12	0	12	54.8	MT1256-P0610-S18	6	18	88.4
MT1256-P0210-S10	2	10	54.8	MT1256-S30	0	30	105.2
MT1256-P0310-S09	3	9	54.8	MT1256-P0210-S28	2	28	105.2
MT1256-P0610-S06	6	6	54.8	MT1256-P0410-S26	4	26	105.2
MT1256-P0810-S04	8	4	54.8	MT1256-S36	0	36	125
MT1256-P1010-S02	10	2	54.8	MT1256-P0410-S32	4	32	125
MT1256-P1210	12	0	54.8	MT1256-S42	0	42	141.8
MT1256-S18	0	18	71.5	MT1256-S48	0	48	158.6

Note: N channels 10A rings parallel can be used as 1 channel N*10A current. For example: 2 rings 10A parallel could be used as 1 wires 20A. 10A,5A (signal) can combine freely in any way.It can be customized based on standard slip ring,please contact customer service for more details.

Specifications

Electrical Data		
Parameter	Value	
	Power	Signal
Rated Voltage	0~440VAC/VDC	0~440VAC/VDC
Insulation Resistance	≥1000MΩ/500VDC	≥1000MΩ/500VDC
Lead Wires	AWG17#Teflon	AWG22#Teflon
Lead Length	Standard 300mm(adjustable)	
Insulation Strength	800VAC@50Hz , 60s	
Electrical Noise	<0.01Ω	
Mechanical Data		
Parameter	Value	
Working Life	See Product Quality Level Table	
Rotating Speed	See Product Quality Level Table	
Working Temperature	-30°C~80°C	
Operating Humidity	0~85% RH	
Contact Material	See Product Quality Level Table	
Housing Material	Aluminium Alloy	
Torque	0.1N.m ; +0.03N.m/6rings	
Protection Grade	IP51	

Product Quality Level Table

Products Level Code	Max Rotating Speed	Working Life	Contact Material
VC	250RPM	20 Million Revs	Precious Metal
VD	600RPM	80 Million Revs	Gold-plated
VH	1000RPM	150 Million Revs	Gold-Gold

Lead Wires Color Code

Ring	1	2	3	4	5	6	7	8	9	10	11	12
Color	BLK	RED	YEL	GRN	BLU	WHT	BLK	RED	YEL	GRN	BLU	WHT

(6 wires for 1 group color, from 7-12, repeat the same color as 1...6, indicated with number code pipe)

Options For Custom Slip Ring

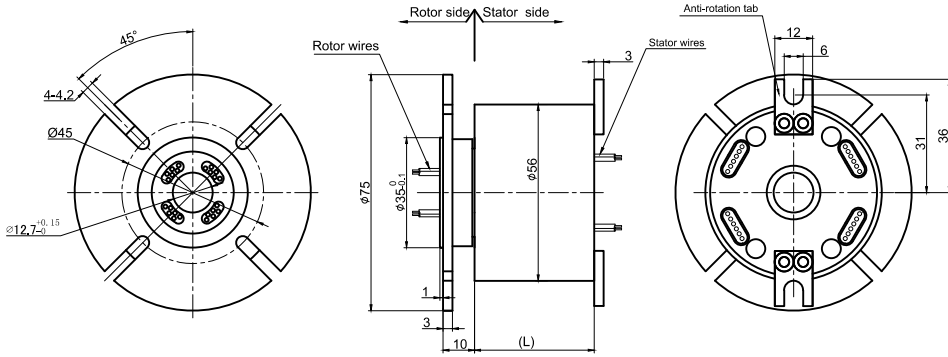
Note: Below special demands can be customized. According, the delivery date will be extended 3 to 15 days; also the cost will be increased 30% to 50%. Most of our basic parts are standard and modular, which can save the cost and lead time.

- ① Cable exit way and cable length can be customized for both rotor and stator.
- ② Because of the structure limitation, length/height/OD can be customized on your request.
- ③ Support current or signal up to 200 rings.
- ④ Aviation plug, terminal and heat-shrink tube are optional.
- ⑤ Hybrid slip ring for Yaskawa/Panasonic/Siemens servo control signal, power line and encoder line.
- ⑥ Support mixed high speed data transmission (including Ethernet, USB, RS232, RS485, Profibus, CanBUS, CANOPEN, DeviceNET, CC-LINK, ProfiNET, EtherCAT, etc.)
- ⑦ Can combine temperature control signal with thermocouple signal.
- ⑧ Special environment can be customized, such as quakeproof, high temperature, etc.
- ⑨ Hybrid Pneumatic/hydraulic and electric slip ring can be mixed.
- ⑩ High temperature can up to 500 degrees.
- ⑪ High pressure can up to 110KV
- ⑫ Rotating speed can up to 10000RPM
- ⑬ Maximum current can up to 5000 amperes.
- ⑭ Military grade
- ⑮ Optional for underwater IP65, IP68.
- ⑯ Optional for stainless steel housing

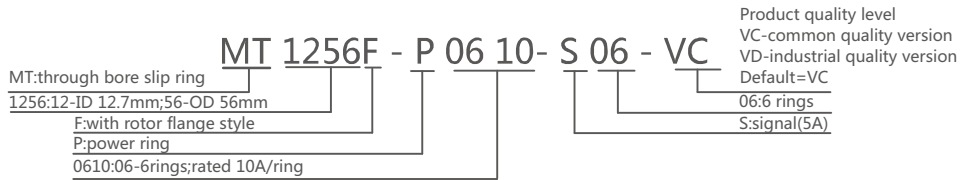
Technical support: technical@moflon.com

MT1256F Series

MT1256F series provides a 12.7mm through-bore for routing of hydraulic or pneumatic lines or hydraulic or pneumatic rotating shaft installation, and a compact 56mm outside diameter, features long life, fiber brush contact technology for ultimate performance in many challenging applications. MT1256F series are standard, off-the-shelf products, Color-coded lead wires are used on both the stator and rotor for simplified electrical connections. It can transmit signal(2A), 10A, multiple 10A current when 360° degree free rotating.



Part# Explanation



Part# List

MT1256 Series Parts# List							
Part#	10A	Signal or 5A	Length-L (mm)	Part#	10A	Signal or 5A	Length-L (mm)
MT1256F-S02	0	2	26.8	MT1256F-P0210-S16	2	16	71.5
MT1256F-P0210	2	0	26.8	MT1256F-P0410-S14	4	14	71.5
MT1256F-S03	0	3	29.6	MT1256F-P0610-S12	6	12	71.5
MT1256F-P0310	3	0	29.6	MT1256F-P0810-S10	8	10	71.5
MT1256F-S06	0	6	38	MT1256F-P1010-S08	10	8	71.5
MT1256F-P0210-S04	2	4	38	MT1256F-P1210-S06	12	6	71.5
MT1256F-P0410-S02	4	2	38	MT1256F-S24	0	24	88.4
MT1256F-P0610	6	0	38	MT1256F-P0410-S20	4	20	88.4
MT1256F-S12	0	12	54.8	MT1256F-P0610-S18	6	18	88.4
MT1256F-P0210-S10	2	10	54.8	MT1256F-S30	0	30	105.2
MT1256F-P0310-S09	3	9	54.8	MT1256F-P0210-S28	2	28	105.2
MT1256F-P0610-S06	6	6	54.8	MT1256F-P0410-S26	4	26	105.2
MT1256F-P0810-S04	8	4	54.8	MT1256F-S36	0	36	125
MT1256F-P1010-S02	10	2	54.8	MT1256F-P0410-S32	4	32	125
MT1256F-P1210	12	0	54.8	MT1256F-S42	0	42	141.8
MT1256F-S18	0	18	71.5	MT1256F-S48	0	48	158.6

Note: N channels 10A rings parallel can be used as 1 channel N*10A current. For example: 2 rings 10A parallel could be used as 1 wires 20A. 10A,5A (signal) can combine freely in any way. It can be customized based on standard slip ring, please contact customer service for more details.

Specifications

Electrical Data		
Parameter	Value	
	Power	Signal
Rated Voltage	0~440VAC/VDC	0~440VAC/VDC
Insulation Resistance	≥1000MΩ/500VDC	≥1000MΩ/500VDC
Lead Wires	AWG17#Teflon	AWG22#Teflon
Lead Length	Standard 300mm(adjustable)	
Insulation Strength	800VAC@50Hz , 60s	
Electrical Noise	<0.01Ω	
Mechanical Data		
Parameter	Value	
Working Life	See Product Quality Level Table	
Rotating Speed	See Product Quality Level Table	
Working Temperature	-30°C~80°C	
Operating Humidity	0~85% RH	
Contact Material	See Product Quality Level Table	
Housing Material	Aluminium Alloy	
Torque	0.1N.m ; +0.03N.m/6rings	
Protection Grade	IP51	

Product Quality Level Table

Products Level Code	Max Rotating Speed	Working Life	Contact Material
VC	250RPM	20 Million Revs	Precious Metal
VD	600RPM	80 Million Revs	Gold-plated
VH	1000RPM	150 Million Revs	Gold-Gold

Lead Wires Color Code

Ring	1	2	3	4	5	6	7	8	9	10	11	12
Color	BLK	RED	YEL	GRN	BLU	WHT	BLK	RED	YEL	GRN	BLU	WHT

(6 wires for 1 group color, from 7-12, repeat the same color as 1...6, indicated with number code pipe)

Options For Custom Slip Ring

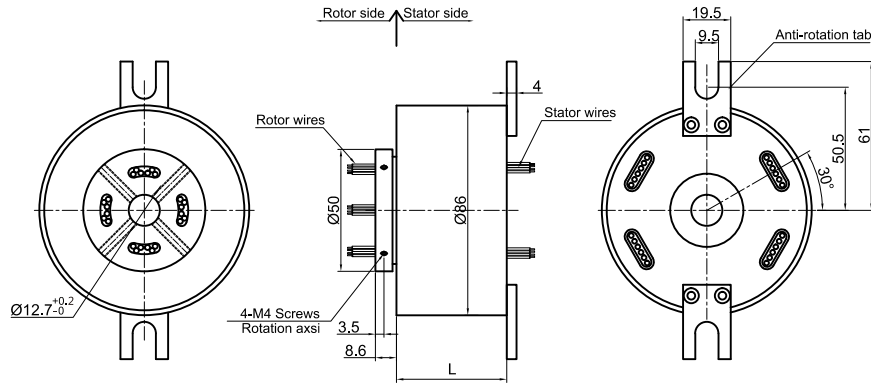
Note: Below special demands can be customized. According, the delivery date will be extended 3 to 15 days; also the cost will be increased 30% to 50%. Most of our basic parts are standard and modular, which can save the cost and lead time.

- ① Cable exit way and cable length can be customized for both rotor and stator.
- ② Because of the structure limitation, length/height/OD can be customized on your request.
- ③ Support current or signal up to 200 rings.
- ④ Aviation plug, terminal and heat-shrink tube are optional.
- ⑤ Hybrid slip ring for Yaskawa/Panasonic/Siemens servo control signal, power line and encoder line.
- ⑥ Support mixed high speed data transmission (including Ethernet, USB, RS232, RS485, Profibus, CanBUS, CANOPEN, DeviceNET, CC-LINK, ProfiNET, EtherCAT, etc.)
- ⑦ Can combine temperature control signal with thermocouple signal.
- ⑧ Special environment can be customized, such as quakeproof, high temperature, etc.
- ⑨ Hybrid Pneumatic/hydraulic and electric slip ring can be mixed.
- ⑩ High temperature can up to 500 degrees.
- ⑪ High pressure can up to 110KV
- ⑫ Rotating speed can up to 10000RPM
- ⑬ Maximum current can up to 5000 amperes.
- ⑭ Military grade
- ⑮ Optional for underwater IP65, IP68.
- ⑯ Optional for stainless steel housing

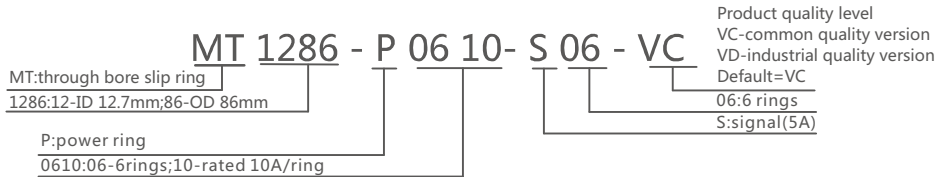
Technical support: technical@moflon.com

MT1286 Series

MT1286 series provides a 12.7mm through-bore for routing of hydraulic or pneumatic lines or hydraulic or pneumatic rotating shaft installation, and a compact 86mm outside diameter, features long life, fiber brush contact technology for ultimate performance in many challenging applications. MT1286 series are standard, off-the-shelf products, Color-coded lead wires are used on both the stator and rotor for simplified electrical connections. It can transmit signal(2A), 10A, multiple 10A current when 360° degree free rotating.



Part# Explanation



Part# List

MT1286 Series Parts# List							
Part#	10A	Signal or 5A	Length-L (mm)	Part#	10A	Signal or 5A	Length-L (mm)
MT1286-S02	0	2	31.6	MT1286-P1810-S12	18	12	126.8
MT1286-P0210	2	0	31.6	MT1286-P2410-S06	24	6	126.8
MT1286-S03	0	3	35	MT1286-P3010	30	0	126.8
MT1286-P0310	3	0	35	MT1286-S36	0	36	150.2
MT1286-S06	0	6	45.2	MT1286-P0610-S30	6	30	150.2
MT1286-P0210-S04	2	4	45.2	MT1286-P1210-S24	12	24	150.2
MT1286-P0410-S02	4	2	45.2	MT1286-P3610	36	0	150.2
MT1286-P0610	6	0	45.2	MT1286-S42	0	42	170.6
MT1286-S12	0	12	65.6	MT1286-P0610-S36	6	36	170.6
MT1286-P0210-S10	2	10	65.6	MT1286-P1210-S30	12	30	170.6
MT1286-P0310-S09	3	9	65.6	MT1286-P4210	42	0	170.6
MT1286-P0610-S06	6	6	65.6	MT1286-S48	0	48	191
MT1286-P0810-S04	8	4	65.6	MT1286-P0610-S42	6	42	191
MT1286-P1010-S02	10	2	65.6	MT1286-P1210-S36	12	36	191
MT1286-P1210	12	0	65.6	MT1286-P1810-S30	18	30	191
MT1286-S18	0	18	86	MT1286-P2410-S24	24	24	191
MT1286-P0210-S16	2	16	86	MT1286-P4810	48	0	191
MT1286-P0410-S14	4	14	86	MT1286-S60	0	60	231.8
MT1286-P0610-S12	6	12	86	MT1286-P0610-S54	6	54	231.8
MT1286-P0810-S10	8	10	86	MT1286-P0910-S51	9	51	231.8
MT1286-P1010-S08	10	8	86	MT1286-P1210-S48	12	48	231.8
MT1286-P1210-S06	12	6	86	MT1286-P2410-S36	24	36	231.8
MT1286-P1410-S04	14	4	86	MT1286-S72	0	72	275.6
MT1286-P1610-S02	16	2	86	MT1286-P1210-S60	12	60	275.6
MT1286-S24	0	24	106.4	MT1286-P2410-S48	24	48	275.6
MT1286-P0410-S20	4	20	106.4	MT1286-P3610-S36	36	36	275.6
MT1286-P0610-S18	6	18	106.4	MT1286-S84	0	84	316.4
MT1286-P1210-S12	12	12	106.4	MT1286-P1210-S72	12	72	316.4
MT1286-P1810-S06	18	6	106.4	MT1286-P2410-S60	24	60	316.4
MT1286-P2410	24	0	106.4	MT1286-P3610-S48	36	48	316.4
MT1286-S30	0	30	126.8	MT1286-S96	0	96	357.2
MT1286-P0610-S24	6	24	126.8	MT1286-P1210-S84	12	84	357.2
MT1286-P1210-S18	12	18	126.8	MT1286-P2410-S72	24	72	357.2

Note: N channels 10A rings parallel can be used as 1 channel N*10A current. For example: 2 rings 10A parallel could be used as 1 wires 20A. 10A,5A (signal) can combine freely in any way.It can be customized based on standard slip ring,please contact customer service for more detmalls.

Specifications

Electrical Data		
Parameter	Value	
	Power	Signal
Rated Voltage	0~690VAC/VDC	0~440VAC/VDC
Insulation Resistance	≥1000MΩ/1000VDC	≥1000MΩ/500VDC
Lead Wires	AWG16#Teflon	AWG22#Teflon
Lead Length	Standard 300mm(adjustable)	
Insulation Strength	1000VAC@50Hz , 60s	
Electrical Noise	<0.01Ω	
Mechanical data		
Parameter	Value	
Working Life	See Product Quality Level Table	
Rotating Speed	See Product Quality Level Table	
Working Temperature	-30°C~80°C	
Operating Humidity	0~85% RH	
Contact Material	See Product Quality Level Table	
Housing Material	Aluminium Alloy	
Torque	0.1N.m ; +0.03N.m/6rings	
Protection Grade	IP51	

Product Quality Level Table

Products Level Code	Max Rotating Speed	Working Life	Contact Material
VC	250RPM	20 Million Revs	Precious Metal
VD	600RPM	80 Million Revs	Gold-plated
VH	1000RPM	150 Million Revs	Gold-Gold

Lead Wires Color Code

Ring	1	2	3	4	5	6	7	8	9	10	11	12
Color	BLK	RED	YEL	GRN	BLU	WHT	BLK	RED	YEL	GRN	BLU	WHT

(6 wires for 1 group color, from 7-12, repeat the same color as 1...6, indicated with number code pipe)

Options For Custom Slip Ring

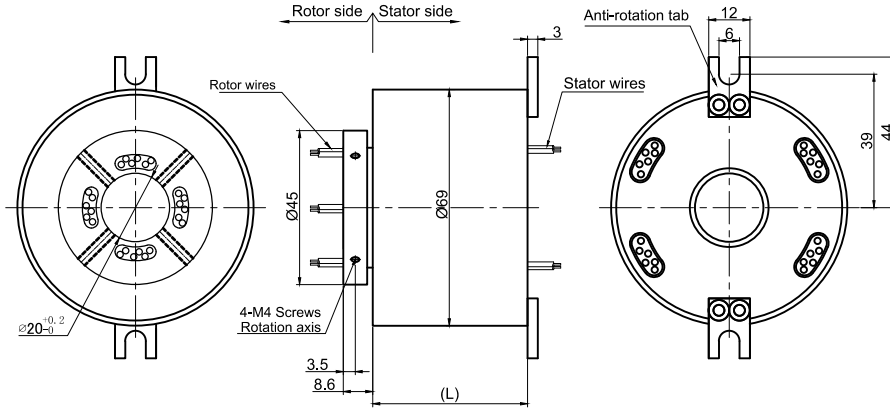
Note: Below special demands can be customized. According, the delivery date will be extended 3 to 15 days; also the cost will be increased 30% to 50%. Most of our basic parts are standard and modular, which can save the cost and lead time.

- ① Cable exit way and cable length can be customized for both rotor and stator.
- ② Because of the structure limitation, length/height/OD can be customized on your request.
- ③ Support current or signal up to 200 rings.
- ④ Aviation plug, terminal and heat-shrink tube are optional.
- ⑤ Hybrid slip ring for Yaskawa/Panasonic/Siemens servo control signal, power line and encoder line.
- ⑥ Support mixed high speed data transmission (including Ethernet, USB, RS232, RS485, Profibus, CanBUS, CANOPEN, DeviceNET, CC-LINK, ProfiNET, EtherCAT, etc.)
- ⑦ Can combine temperature control signal with thermocouple signal.
- ⑧ Special environment can be customized, such as quakeproof, high temperature, etc.
- ⑨ Hybrid Pneumatic/hydraulic and electric slip ring can be mixed.
- ⑩ High temperature can up to 500 degrees.
- ⑪ High pressure can up to 110KV
- ⑫ Rotating speed can up to 10000RPM
- ⑬ Maximum current can up to 5000 amperes.
- ⑭ Military grade
- ⑮ Optional for underwater IP65, IP68.
- ⑯ Optional for stainless steel housing

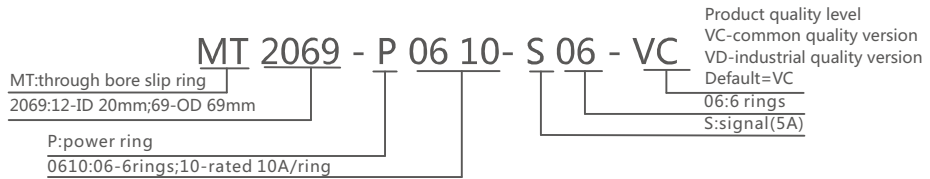
Technical support: technical@moflon.com

MT2069 Series

MT2069 series provides a 20mm through-bore for routing of hydraulic or pneumatic lines or hydraulic or pneumatic rotating shaft installation, and a compact 69mm outside diameter, features long life, fiber brush contact technology for ultimate performance in many challenging applications. MT2069 series are standard, off-the-shelf products, Color-coded lead wires are used on both the stator and rotor for simplified electrical connections. It can transmit signal(2A), 10A, multiple 10A current when 360° degree free rotating.



Part# Explanation



Part# List

MT2069 Series Parts# List							
Part#	10A	Signal or 5A	Length-L (mm)	Part#	10A	Signal or 5A	Length-L (mm)
MT2069-S02	0	2	31.6	MT2069-P1010-S08	10	8	86
MT2069-P0210	2	0	31.6	MT2069-P1210-S06	12	6	86
MT2069-S03	0	3	35	MT2069-P1410-S04	14	4	86
MT2069-P0310	3	0	35	MT2069-P1610-S02	16	2	86
MT2069-S06	0	6	45.2	MT2069-S24	0	24	106.4
MT2069-P0210-S04	2	4	45.2	MT2069-P0410-S20	4	20	106.4
MT2069-P0410-S02	4	2	45.2	MT2069-P0610-S18	6	18	106.4
MT2069-P0610	6	0	45.2	MT2069-P1210-S12	12	12	106.4
MT2069-S12	0	12	65.6	MT2069-P1810-S06	18	6	106.4
MT2069-P0210-S10	2	10	65.6	MT2069-P2410	24	0	106.4
MT2069-P0310-S09	3	9	65.6	MT2069-S30	0	30	126.8
MT2069-P0610-S06	6	6	65.6	MT2069-P0210-S28	2	28	126.8
MT2069-P0810-S04	8	4	65.6	MT2069-P0410-S26	4	26	126.8
MT2069-P1010-S02	10	2	65.6	MT2069-P0610-S24	6	24	126.8
MT2069-P1210	12	0	65.6	MT2069-S36	0	36	150.2
MT2069-S18	0	18	86	MT2069-P0410-S32	4	32	150.2
MT2069-P0210-S16	2	16	86	MT2069-P0610-S30	6	30	150.2
MT2069-P0410-S14	4	14	86	MT2069-S42	0	42	170.6
MT2069-P0610-S12	6	12	86	MT2069-P0410-S38	4	38	193.2
MT2069-P0810-S10	8	10	86	MT2069-S48	0	48	193.2

Note: N channels 10A rings parallel can be used as 1 channel N*10A current. For example: 2 rings 10A parallel could be used as 1 wires 20A. 10A,5A (signal) can combine freely in any way.It can be customized based on standard slip ring,please contact customer service for more detmalls.

Specifications

Electrical Data		
Parameter	Value	
	Power	Signal
Rated Voltage	0~440VAC/VDC	0~440VAC/VDC
Insulation Resistance	≥1000MΩ/500VDC	≥1000MΩ/500VDC
Lead Wires	AWG17#Teflon	AWG22#Teflon
Lead Length	Standard 300mm(adjustable)	
Insulation Strength	800VAC@50Hz , 60s	
Electrical Noise	<0.01Ω	
Mechanical Data		
Parameter	Value	
Working Life	See Product Quality Level Table	
Rotating Speed	See Product Quality Level Table	
Working Temperature	-30°C~80°C	
Operating Humidity	0~85% RH	
Contact Material	See Product Quality Level Table	
Housing Material	Aluminium Alloy	
Torque	0.1N.m ; +0.03N.m/6rings	
Protection Grade	IP51	

Product Quality Level Table

Products Level Code	Max Rotating Speed	Working Life	Contact Material
VC	250RPM	20 Million Revs	Precious Metal
VD	600RPM	80 Million Revs	Gold-plated
VH	1000RPM	150 Million Revs	Gold-Gold

Lead Wires Color Code

Ring	1	2	3	4	5	6	7	8	9	10	11	12
Color	BLK	RED	YEL	GRN	BLU	WHT	BLK	RED	YEL	GRN	BLU	WHT

(6 wires for 1 group color, from 7-12, repeat the same color as 1...6, indicated with number code pipe)

Options For Custom Slip Ring

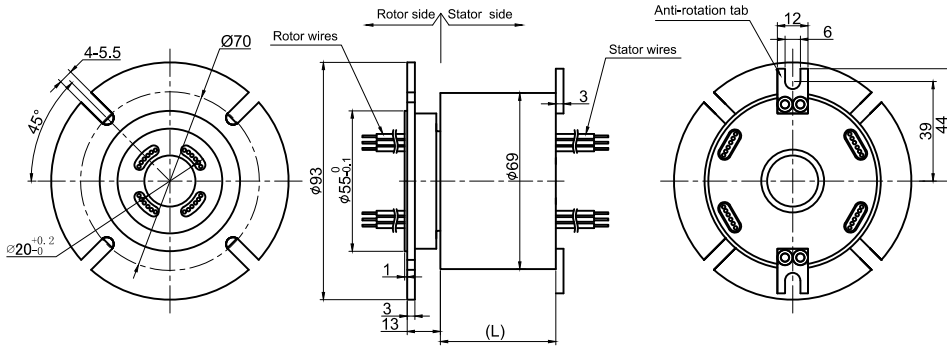
Note: Below special demands can be customized. According, the delivery date will be extended 3 to 15 days; also the cost will be increased 30% to 50%. Most of our basic parts are standard and modular, which can save the cost and lead time.

- ① Cable exit way and cable length can be customized for both rotor and stator.
- ② Because of the structure limitation, length/height/OD can be customized on your request.
- ③ Support current or signal up to 200 rings.
- ④ Aviation plug, terminal and heat-shrink tube are optional.
- ⑤ Hybrid slip ring for Yaskawa/Panasonic/Siemens servo control signal, power line and encoder line.
- ⑥ Support mixed high speed data transmission (including Ethernet, USB, RS232, RS485, Profibus, CanBUS, CANOPEN, DeviceNET, CC-LINK, ProfiNET, EtherCAT, etc.)
- ⑦ Can combine temperature control signal with thermocouple signal.
- ⑧ Special environment can be customized, such as quakeproof, high temperature, etc.
- ⑨ Hybrid Pneumatic/hydraulic and electric slip ring can be mixed.
- ⑩ High temperature can up to 500 degrees.
- ⑪ High pressure can up to 110KV
- ⑫ Rotating speed can up to 10000RPM
- ⑬ Maximum current can up to 5000 amperes.
- ⑭ Military grade
- ⑮ Optional for underwater IP65, IP68.
- ⑯ Optional for stainless steel housing

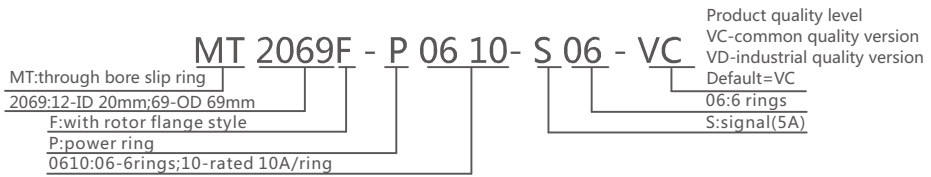
Technical support: technical@moflon.com

MT2069F Series

MT2069F series provides a 20mm through-bore for routing of hydraulic or pneumatic lines or hydraulic or pneumatic rotating shaft installation, and a compact 69mm outside diameter, features long life, fiber brush contact technology for ultimate performance in many challenging applications. MT2069F series are standard, off-the-shelf products, Color-coded lead wires are used on both the stator and rotor for simplified electrical connections. It can transmit signal(2A), 10A, multiple 10A current when 360° degree free rotating.



Part# Explanation



Part# List

MT2069F Series Parts# List							
Part#	10A	Signal or 5A	Length-L (mm)	Part#	10A	Signal or 5A	Length-L (mm)
MT2069F-S02	0	2	31.6	MT2069F-P1010-S08	10	8	86
MT2069F-P0210	2	0	31.6	MT2069F-P1210-S06	12	6	86
MT2069F-S03	0	3	35	MT2069F-P1410-S04	14	4	86
MT2069F-P0310	3	0	35	MT2069F-P1610-S02	16	2	86
MT2069F-S06	0	6	45.2	MT2069F-S24	0	24	106.4
MT2069F-P0210-S04	2	4	45.2	MT2069F-P0410-S20	4	20	106.4
MT2069F-P0410-S02	4	2	45.2	MT2069F-P0610-S18	6	18	106.4
MT2069F-P0610	6	0	45.2	MT2069F-P1210-S12	12	12	106.4
MT2069F-S12	0	12	65.6	MT2069F-P1810-S06	18	6	106.4
MT2069F-P0210-S10	2	10	65.6	MT2069F-P2410	24	0	106.4
MT2069F-P0310-S09	3	9	65.6	MT2069F-S30	0	30	126.8
MT2069F-P0610-S06	6	6	65.6	MT2069F-P0210-S28	2	28	126.8
MT2069F-P0810-S04	8	4	65.6	MT2069F-P0410-S26	4	26	126.8
MT2069F-P1010-S02	10	2	65.6	MT2069F-P0610-S24	6	24	126.8
MT2069F-P1210	12	0	65.6	MT2069F-S36	0	36	150.2
MT2069F-S18	0	18	86	MT2069F-P0410-S32	4	32	150.2
MT2069F-P0210-S16	2	16	86	MT2069F-P0610-S30	6	30	150.2
MT2069F-P0410-S14	4	14	86	MT2069F-S42	0	42	170.6
MT2069F-P0610-S12	6	12	86	MT2069F-P0410-S38	4	38	193.2
MT2069F-P0810-S10	8	10	86	MT2069F-S48	0	48	193.2

Note: N channels 10A rings parallel can be used as 1 channel N*10A current. For example: 2 rings 10A parallel could be used as 1 wires 20A. 10A,5A (signal) can combine freely in any way.It can be customized based on standard slip ring,please contact customer service for more details.

Specifications

Electrical Data		
Parameter	Value	
	Power	Signal
Rated Voltage	0~440VAC/VDC	0~440VAC/VDC
Insulation Resistance	≥1000MΩ/500VDC	≥1000MΩ/500VDC
Lead Wires	AWG17#Teflon	AWG22#Teflon
Lead Length	Standard 300mm(adjustable)	
Insulation Strength	800VAC@50Hz , 60s	
Electrical Noise	<0.01Ω	
Mechanical data		
Parameter	Value	
Working Life	See Product Quality Level Table	
Rotating Speed	See Product Quality Level Table	
Working Temperature	-30°C~80°C	
Operating Humidity	0~85% RH	
Contact Material	See Product Quality Level Table	
Housing Material	Aluminium Alloy	
Torque	0.1N.m ; +0.03N.m/6rings	
Protection Grade	IP51	

Product Quality Level Table

Products Level Code	Max Rotating Speed	Working Life	Contact Material
VC	250RPM	20 Million Revs	Precious Metal
VD	600RPM	80 Million Revs	Gold-plated
VH	1000RPM	150 Million Revs	Gold-Gold

Lead Wires Color Code

Ring	1	2	3	4	5	6	7	8	9	10	11	12
Color	BLK	RED	YEL	GRN	BLU	WHT	BLK	RED	YEL	GRN	BLU	WHT

(6 wires for 1 group color, from 7-12, repeat the same color as 1...6, indicated with number code pipe)

Options For Custom Slip Ring

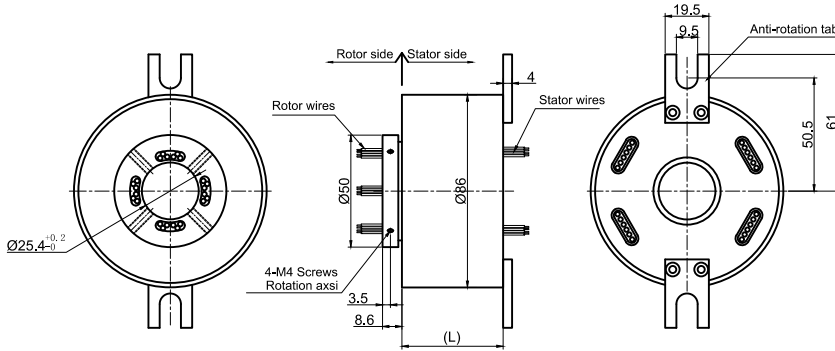
Note: Below special demands can be customized. According, the delivery date will be extended 3 to 15 days; also the cost will be increased 30% to 50%. Most of our basic parts are standard and modular, which can save the cost and lead time.

- ① Cable exit way and cable length can be customized for both rotor and stator.
- ② Because of the structure limitation, length/height/OD can be customized on your request.
- ③ Support current or signal up to 200 rings.
- ④ Aviation plug, terminal and heat-shrink tube are optional.
- ⑤ Hybrid slip ring for Yaskawa/Panasonic/Siemens servo control signal, power line and encoder line.
- ⑥ Support mixed high speed data transmission (including Ethernet, USB, RS232, RS485, Profibus, CanBUS, CANOPEN, DeviceNET, CC-LINK, ProfiNET, EtherCAT, etc.)
- ⑦ Can combine temperature control signal with thermocouple signal.
- ⑧ Special environment can be customized, such as quakeproof, high temperature, etc.
- ⑨ Hybrid Pneumatic/hydraulic and electric slip ring can be mixed.
- ⑩ High temperature can up to 500 degrees.
- ⑪ High pressure can up to 110KV
- ⑫ Rotating speed can up to 10000RPM
- ⑬ Maximum current can up to 5000 amperes.
- ⑭ Military grade
- ⑮ Optional for underwater IP65, IP68.
- ⑯ Optional for stainless steel housing

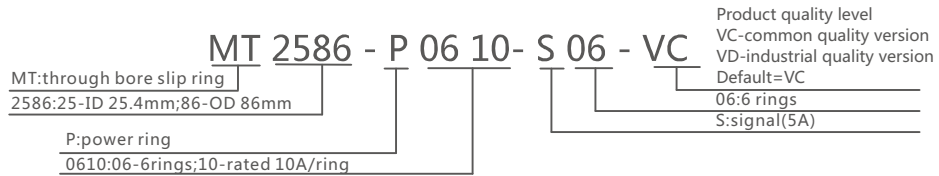
Technical support: technical@moflon.com

MT2586 Series

MT2586 series provides a 25.4mm through-bore for routing of hydraulic or pneumatic lines or hydraulic or pneumatic rotating shaft installation, and a compact 86mm outside diameter, features long life, fiber brush contact technology for ultimate performance in many challenging applications. MT2586 series are standard, off-the-shelf products, Color-coded lead wires are used on both the stator and rotor for simplified electrical connections. It can transmit signal(2A), 10A, multiple 10A current when 360° degree free rotating.



Part# Explanation



Part# List

MT2586 Series Parts# List							
Part#	10A	Signal or 5A	Length-L (mm)	Part#	10A	Signal or 5A	Length-L (mm)
MT2586-S02	0	2	31.6	MT2586-P1210-S12	12	12	106.4
MT2586-P0210	2	0	31.6	MT2586-P1810-S06	18	6	106.4
MT2586-S03	0	3	35	MT2586-P2410	24	0	106.4
MT2586-P0310	3	0	35	MT2586-S30	0	30	126.8
MT2586-S06	0	6	45.2	MT2586-P0610-S24	6	24	126.8
MT2586-P0210-S04	2	4	45.2	MT2586-P1210-S18	12	18	126.8
MT2586-P0410-S02	4	2	45.2	MT2586-P1810-S12	18	12	126.8
MT2586-P0610	6	0	45.2	MT2586-P2410-S06	24	6	126.8
MT2586-S12	0	12	65.6	MT2586-P3010	30	0	126.8
MT2586-P0210-S10	2	10	65.6	MT2586-S36	0	36	150.2
MT2586-P0310-S09	3	9	65.6	MT2586-P0610-S30	6	30	150.2
MT2586-P0610-S06	6	6	65.6	MT2586-P1210-S24	12	24	150.2
MT2586-P0810-S04	8	4	65.6	MT2586-P3610	36	0	150.2
MT2586-P1010-S02	10	2	65.6	MT2586-S42	0	42	170.6
MT2586-P1210	12	0	65.6	MT2586-P0610-S36	6	36	170.6
MT2586-S18	0	18	86	MT2586-P1210-S30	12	30	170.6
MT2586-P0210-S16	2	16	86	MT2586-S48	0	48	193.2
MT2586-P0410-S14	4	14	86	MT2586-P0610-S42	6	42	193.2
MT2586-P0610-S12	6	12	86	MT2586-P0910-S39	9	39	193.2
MT2586-P0810-S10	8	10	86	MT2586-P1210-S36	12	36	193.2
MT2586-P1010-S08	10	8	86	MT2586-P1810-S30	18	30	193.2
MT2586-P1210-S06	12	6	86	MT2586-P2410-S24	24	24	193.2
MT2586-P1410-S04	14	4	86	MT2586-S60	0	60	234
MT2586-P1610-S02	16	2	86	MT2586-P0610-S54	6	54	234
MT2586-S24	0	24	106.4	MT2586-P0910-S51	9	51	234
MT2586-P0410-S20	4	20	106.4	MT2586-P1210-S48	12	48	234
MT2586-P0610-S18	6	18	106.4	MT2586-S72	0	72	277.8

Note: N channels 10A rings parallel can be used as 1 channel N*10A current. For example: 2 rings 10A parallel could be used as 1 wires 20A. 10A,5A (signal) can combine freely in any way.It can be customized based on standard slip ring,please contact customer service for more detmalls.

Specifications

Electrical Data		
Parameter	Value	
	Power	Signal
Rated Voltage	0~440VAC/VDC	0~440VAC/VDC
Insulation Resistance	≥1000MΩ/1000VDC	≥1000MΩ/500VDC
Lead Wires	AWG16#Teflon	AWG22#Teflon
Lead Length	Standard 300mm(adjustable)	
Insulation Strength	1000VAC@50Hz , 60s	
Electrical Noise	<0.01Ω	
Mechanical Data		
Parameter	Value	
Working Life	See Product Quality Level Table	
Rotating Speed	See Product Quality Level Table	
Working Temperature	-30°C~80°C	
Operating Humidity	0~85% RH	
Contact Material	See Product Quality Level Table	
Housing Material	Aluminium Alloy	
Torque	0.1N.m ; +0.03N.m/6rings	
Protection Grade	IP51	

Product Quality Level Table

Products Level Code	Max Rotating Speed	Working Life	Contact Material
VC	250RPM	20 Million Revs	Precious Metal
VD	600RPM	80 Million Revs	Gold-plated
VH	1000RPM	150 Million Revs	Gold-Gold

Lead Wires Color Code

Ring	1	2	3	4	5	6	7	8	9	10	11	12
Color	BLK	RED	YEL	GRN	BLU	WHT	BLK	RED	YEL	GRN	BLU	WHT

(6 wires for 1 group color, from 7-12, repeat the same color as 1...6, indicated with number code pipe)

Options For Custom Slip Ring

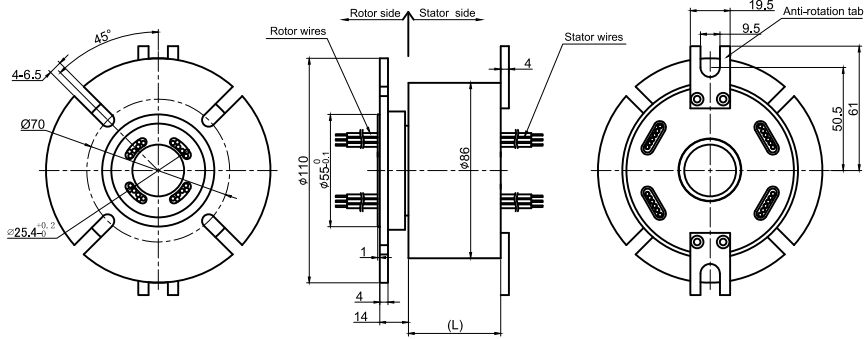
Note: Below special demands can be customized. According, the delivery date will be extended 3 to 15 days; also the cost will be increased 30% to 50%. Most of our basic parts are standard and modular, which can save the cost and lead time.

- ① Cable exit way and cable length can be customized for both rotor and stator.
- ② Because of the structure limitation, length/height/OD can be customized on your request.
- ③ Support current or signal up to 200 rings.
- ④ Aviation plug, terminal and heat-shrink tube are optional.
- ⑤ Hybrid slip ring for Yaskawa/Panasonic/Siemens servo control signal, power line and encoder line.
- ⑥ Support mixed high speed data transmission (including Ethernet, USB, RS232, RS485, Profibus, CanBUS, CANOPEN, DeviceNET, CC-LINK, ProfiNET, EtherCAT, etc.)
- ⑦ Can combine temperature control signal with thermocouple signal.
- ⑧ Special environment can be customized, such as quakeproof, high temperature, etc.
- ⑨ Hybrid Pneumatic/hydraulic and electric slip ring can be mixed.
- ⑩ High temperature can up to 500 degrees.
- ⑪ High pressure can up to 110KV
- ⑫ Rotating speed can up to 10000RPM
- ⑬ Maximum current can up to 5000 amperes.
- ⑭ Military grade
- ⑮ Optional for underwater IP65, IP68.
- ⑯ Optional for stainless steel housing

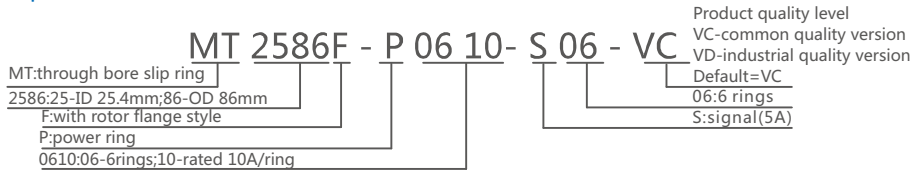
Technical support: technical@moflon.com

MT2586F Series

MT2586F series provides a 25.4mm through-bore for routing of hydraulic or pneumatic lines or hydraulic or pneumatic rotating shaft installation, and a compact 86mm outside diameter, features long life, fiber brush contact technology for ultimate performance in many challenging applications. MT2586F series are standard, off-the-shelf products, Color-coded lead wires are used on both the stator and rotor for simplified electrical connections. It can transmit signal(2A), 10A, multiple 10A current when 360° degree free rotating.



Part# Explanation



Part# List

MT2586F Series Parts# List							
Part#	10A	Signal or 5A	Length-L (mm)	Part#	10A	Signal or 5A	Length-L (mm)
MT2586F-S02	0	2	31.6	MT2586F-P1210-S12	12	12	106.4
MT2586F-P0210	2	0	31.6	MT2586F-P1810-S06	18	6	106.4
MT2586F-S03	0	3	35	MT2586F-P2410	24	0	106.4
MT2586F-P0310	3	0	35	MT2586F-S30	0	30	126.8
MT2586F-S06	0	6	45.2	MT2586F-P0610-S24	6	24	126.8
MT2586F-P0210-S04	2	4	45.2	MT2586F-P1210-S18	12	18	126.8
MT2586F-P0410-S02	4	2	45.2	MT2586F-P1810-S12	18	12	126.8
MT2586F-P0610	6	0	45.2	MT2586F-P2410-S06	24	6	126.8
MT2586F-S12	0	12	65.6	MT2586F-P3010	30	0	126.8
MT2586F-P0210-S10	2	10	65.6	MT2586F-S36	0	36	150.2
MT2586F-P0310-S09	3	9	65.6	MT2586F-P0610-S30	6	30	150.2
MT2586F-P0610-S06	6	6	65.6	MT2586F-P1210-S24	12	24	150.2
MT2586F-P0810-S04	8	4	65.6	MT2586F-P3610	36	0	150.2
MT2586F-P1010-S02	10	2	65.6	MT2586F-S42	0	42	170.6
MT2586F-P1210	12	0	65.6	MT2586F-P0610-S36	6	36	170.6
MT2586F-S18	0	18	86	MT2586F-P1210-S30	12	30	170.6
MT2586F-P0210-S16	2	16	86	MT2586F-S48	0	48	193.2
MT2586F-P0410-S14	4	14	86	MT2586F-P0610-S42	6	42	193.2
MT2586F-P0610-S12	6	12	86	MT2586F-P0910-S39	9	39	193.2
MT2586F-P0810-S10	8	10	86	MT2586F-P1210-S36	12	36	193.2
MT2586F-P1010-S08	10	8	86	MT2586F-P1810-S30	18	30	193.2
MT2586F-P1210-S06	12	6	86	MT2586F-P2410-S24	24	24	193.2
MT2586F-P1410-S04	14	4	86	MT2586F-S60	0	60	234
MT2586F-P1610-S02	16	2	86	MT2586F-P0610-S54	6	54	234
MT2586F-S24	0	24	106.4	MT2586F-P0910-S51	9	51	234
MT2586F-P0410-S20	4	20	106.4	MT2586F-P1210-S48	12	48	234
MT2586F-P0610-S18	6	18	106.4	MT2586F-S72	0	72	277.8

Note: N channels 10A rings parallel can be used as 1 channel N*10A current. For example: 2 rings 10A parallel could be used as 1 wires 20A. 10A,5A (signal) can combine freely in any way.It can be customized based on standard slip ring,please contact customer service for more detmalls.

Specifications

Electrical Data		
Parameter	Value	
	Power	Signal
Rated Voltage	0~690VAC/VDC	0~440VAC/VDC
Insulation Resistance	≥1000MΩ/1000VDC	≥1000MΩ/500VDC
Lead Wires	AWG16#Teflon	AWG22#Teflon
Lead Length	Standard 300mm(adjustable)	
Insulation Strength	1000VAC@50Hz , 60s	
Electrical Noise	<0.01Ω	
Mechanical Data		
Parameter	Value	
Working Life	See Product Quality Level Table	
Rotating Speed	See Product Quality Level Table	
Working Temperature	-30°C~80°C	
Operating Humidity	0~85% RH	
Contact Material	See Product Quality Level Table	
Housing Material	Aluminium Alloy	
Torque	0.1N.m ; +0.03N.m/6rings	
Protection Grade	IP51	

Product Quality Level Table

Products Level Code	Max Rotating Speed	Working Life	Contact Material
VC	250RPM	20 Million Revs	Precious Metal
VD	600RPM	80 Million Revs	Gold-plated
VH	1000RPM	150 Million Revs	Gold-Gold

Lead Wires Color Code

Ring	1	2	3	4	5	6	7	8	9	10	11	12
Color	BLK	RED	YEL	GRN	BLU	WHT	BLK	RED	YEL	GRN	BLU	WHT

(6 wires for 1 group color, from 7-12, repeat the same color as 1...6, indicated with number code pipe)

Options For Custom Slip Ring

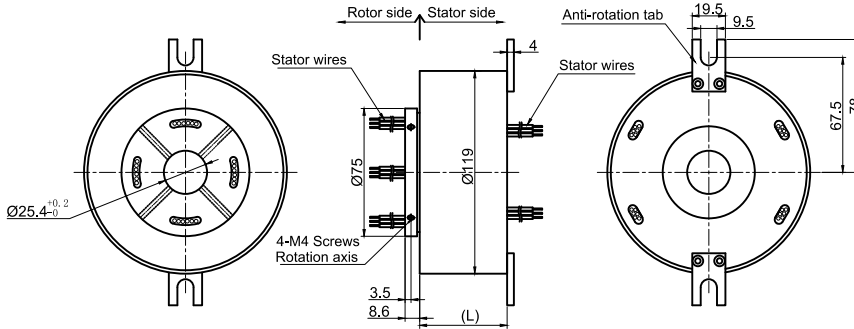
Note: Below special demands can be customized. According, the delivery date will be extended 3 to 15 days; also the cost will be increased 30% to 50%. Most of our basic parts are standard and modular, which can save the cost and lead time.

- ① Cable exit way and cable length can be customized for both rotor and stator.
- ② Because of the structure limitation, length/height/OD can be customized on your request.
- ③ Support current or signal up to 200 rings.
- ④ Aviation plug, terminal and heat-shrink tube are optional.
- ⑤ Hybrid slip ring for Yaskawa/Panasonic/Siemens servo control signal, power line and encoder line.
- ⑥ Support mixed high speed data transmission (including Ethernet, USB, RS232, RS485, Profibus, CanBUS, CANOPEN, DeviceNET, CC-LINK, ProfiNET, EtherCAT, etc.)
- ⑦ Can combine temperature control signal with thermocouple signal.
- ⑧ Special environment can be customized, such as quakeproof, high temperature, etc.
- ⑨ Hybrid Pneumatic/hydraulic and electric slip ring can be mixed.
- ⑩ High temperature can up to 500 degrees.
- ⑪ High pressure can up to 110KV
- ⑫ Rotating speed can up to 10000RPM
- ⑬ Maximum current can up to 5000 amperes.
- ⑭ Military grade
- ⑮ Optional for underwater IP65, IP68.
- ⑯ Optional for stainless steel housing

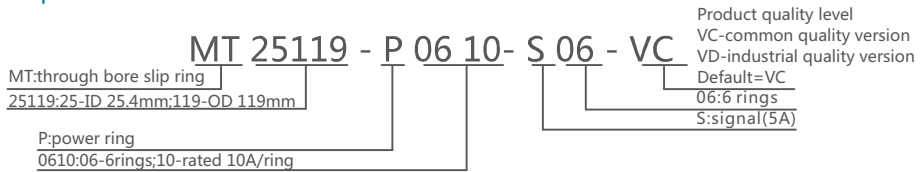
Technical support: technical@moflon.com

MT25119 Series

MT25119 series provides a 25.4mm through-bore for routing of hydraulic or pneumatic lines or hydraulic or pneumatic rotating shaft installation, and a compact 119mm outside diameter, features long life, fiber brush contact technology for ultimate performance in many challenging applications. MT25119 series are standard, off-the-shelf products, Color-coded lead wires are used on both the stator and rotor for simplified electrical connections. It can transmit signal(2A), 10A, multiple 10A current when 360° degree free rotating.



Part# Explanation



Part# List

MT25119 Series Parts# List							
Part#	10A	Signal or 5A	Length-L (mm)	Part#	10A	Signal or 5A	Length-L (mm)
MT25119-S02	0	2	36	MT25119-S48	0	48	217.4
MT25119-P0210	2	0	36	MT25119-P0610-S42	6	42	217.4
MT25119-S03	0	3	39.8	MT25119-P0910-S39	9	39	217.4
MT25119-P0310	3	0	39.8	MT25119-P1210-S36	12	36	217.4
MT25119-S06	0	6	51.2	MT25119-P1810-S30	18	30	217.4
MT25119-P0210-S04	2	4	51.2	MT25119-P2410-S24	24	24	217.4
MT25119-P0410-S02	4	2	51.2	MT25119-S60	0	60	263
MT25119-P0610	6	0	51.2	MT25119-P0610-S54	6	54	263
MT25119-S12	0	12	74	MT25119-P0910-S51	9	51	263
MT25119-P0210-S10	2	10	74	MT25119-P1210-S48	12	48	263
MT25119-P0310-S09	3	9	74	MT25119-S72	0	72	312.6
MT25119-P0610-S06	6	6	74	MT25119-P0610-S66	6	66	312.6
MT25119-P0810-S04	8	4	74	MT25119-P1210-S60	12	60	312.6
MT25119-P1010-S02	10	2	74	MT25119-P2410-S48	24	48	312.6
MT25119-P1210	12	0	74	MT25119-P3610-S36	36	36	312.6
MT25119-S18	0	18	96.8	MT25119-S84	0	84	312.6
MT25119-P0210-S16	2	16	96.8	MT25119-P1210-S72	12	72	312.6
MT25119-P0410-S14	4	14	96.8	MT25119-P2410-S60	24	60	312.6
MT25119-P0610-S12	6	12	96.8	MT25119-P3610-S48	36	48	312.6
MT25119-P0810-S10	8	10	96.8	MT25119-S96	0	96	403.8
MT25119-P1010-S08	10	8	96.8	MT25119-P1210-S84	12	84	403.8
MT25119-P1210-S06	12	6	96.8	MT25119-P2410-S72	24	72	403.8
MT25119-P1410-S04	14	4	96.8	MT25119-P3610-S60	36	60	403.8
MT25119-P1610-S02	16	2	96.8	MT25119-P4210-S54	42	54	403.8
MT25119-S24	0	24	119.6	MT25119-S108	0	108	453.4
MT25119-P0410-S20	4	20	119.6	MT25119-P1210-S96	12	96	453.4
MT25119-P0610-S18	6	18	119.6	MT25119-P2410-S84	24	84	453.4
MT25119-P1210-S12	12	12	119.6	MT25119-P3610-S72	36	72	453.4
MT25119-P1810-S06	18	6	119.6	MT25119-S120	0	120	499
MT25119-P2410	24	0	119.6	MT25119-P1210-S108	12	108	499
MT25119-S30	0	30	142.4	MT25119-P2410-S96	24	96	499
MT25119-P0610-S24	6	24	142.4	MT25119-P3610-S84	36	84	499
MT25119-P1210-S18	12	18	142.4	MT25119-P4810-S72	48	72	499
MT25119-P1810-S12	18	12	142.4	MT25119-S132	0	132	544.6
MT25119-P2410-S06	24	6	142.4	MT25119-P1210-S120	12	120	544.6
MT25119-P3010	30	0	142.4	MT25119-P2410-S108	24	108	544.6

MT25119-S36	0	36	169.2	MT25119-P3610-S96	36	96	542
MT25119-P0610-S30	6	30	169.2	MT25119-P4810-S84	48	84	542
MT25119-P1210-S24	12	24	169.2	MT25119-S144	0	144	587.6
MT25119-P3610	36	0	169.2	MT25119-P1210-S132	12	132	587.6
MT25119-S42	0	42	192	MT25119-P2410-S120	24	120	587.6
MT25119-P0610-S36	6	36	192	MT25119-P3610-S108	36	108	587.6
MT25119-P1210-S30	12	30	192	MT25119-P4810-S96	48	96	587.6

Note: N channels 10A rings parallel can be used as 1 channel N*10A current. For example: 2 rings 10A parallel could be used as 1 wires 20A. 10A,5A (signal) can combine freely in any way.It can be customized based on standard slip ring,please contact customer service for more detmails.

Specifications

Electrical Data	
Parameter	Value
	Power
Rated Voltage	0~690VAC/VDC
Insulation Resistance	≥1000MΩ/1000VDC
Lead Wires	AWG16#Teflon
Lead Length	Standard 300mm(adjustable)
Insulation Strength	1000VAC@50Hz , 60s
Electrical Noise	<0.01Ω
	Signal
	0~440VAC/VDC
	≥1000MΩ/500VDC
	AWG22#Teflon
Mechanical Data	
Parameter	Value
Working Life	See Product Quality Level Table
Rotating Speed	See Product Quality Level Table
Working Temperature	-30°C~80°C
Operating Humidity	0~85% RH
Contact Material	See Product Quality Level Table
Housing Material	Aluminium Alloy
Torque	0.1N.m ; +0.03N.m/6rings
Protection Grade	IP51

Product Quality Level Table

Products Level Code	Max Rotating Speed	Working Life	Contact Material
VC	250RPM	20 Million Revs	Precious Metal
VD	600RPM	80 Million Revs	Gold-plated
VH	1000RPM	150 Million Revs	Gold-Gold

Lead Wires Color Code

Ring	1	2	3	4	5	6	7	8	9	10	11	12
Color	BLK	RED	YEL	GRN	BLU	WHT	BLK	RED	YEL	GRN	BLU	WHT

(6 wires for 1 group color, from 7-12, repeat the same color as 1...6, indicated with number code pipe)

Options For Custom Slip Ring

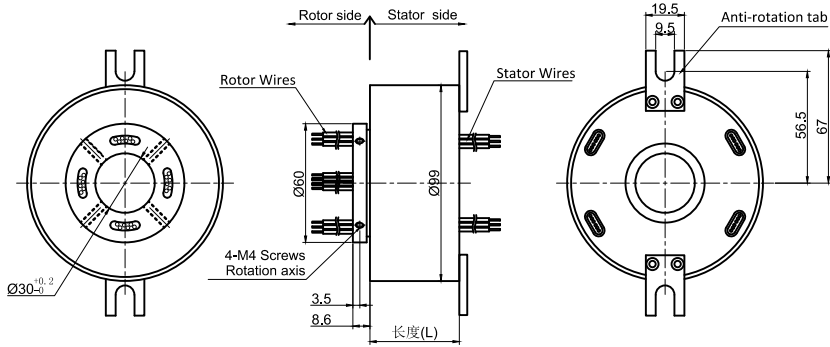
Note: Below special demands can be customized. According, the delivery date will be extended 3 to 15 days; also the cost will be increased 30% to 50%. Most of our basic parts are standard and modular, which can save the cost and lead time.

- ① Cable exit way and cable length can be customized for both rotor and stator.
- ② Because of the structure limitation, length/height/OD can be customized on your request.
- ③ Support current or signal up to 200 rings.
- ④ Aviation plug, terminal and heat-shrink tube are optional.
- ⑤ Hybrid slip ring for Yaskawa/Panasonic/Siemens servo control signal, power line and encoder line.
- ⑥ Support mixed high speed data transmission (including Ethernet, USB, RS232, RS485, Profibus, CanBUS, CANOPEN, DeviceNET, CC-LINK, ProfiNET, EtherCAT, etc.)
- ⑦ Can combine temperature control signal with thermocouple signal.
- ⑧ Special environment can be customized, such as quakeproof, high temperature, etc.
- ⑨ Hybrid Pneumatic/hydraulic and electric slip ring can be mixed.
- ⑩ High temperature can up to 500 degrees.
- ⑪ High pressure can up to 110KV
- ⑫ Rotating speed can up to 10000RPM
- ⑬ Maximum current can up to 5000 amperes.
- ⑭ Military grade
- ⑮ Optional for underwater IP65, IP68.
- ⑯ Optional for stainless steel housing

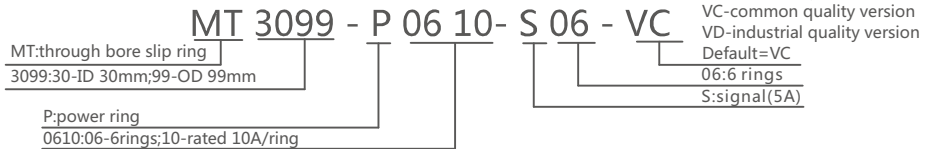
Technical support: technical@moflon.com

MT3099 Series

MT3099 series provides a 30mm through-bore for routing of hydraulic or pneumatic lines or hydraulic or pneumatic rotating shaft installation, and a compact 99mm outside diameter, features long life, fiber brush contact technology for ultimate performance in many challenging applications. MT3099 series are standard, off-the-shelf products, Color-coded lead wires are used on both the stator and rotor for simplified electrical connections. It can transmit signal(2A), 10A, multiple 10A current when 360° degree free rotating.



Part# Explanation



Part# List

MT3099 Series Parts# List							
Part#	10A	Signal or 5A	Length-L (mm)	Part#	10A	Signal or 5A	Length-L (mm)
MT3099-S02	0	2	31.6	MT3099-P1210-S12	12	12	106.4
MT3099-P0210	2	0	31.6	MT3099-P1810-S06	18	6	106.4
MT3099-S03	0	3	35	MT3099-P2410	24	0	106.4
MT3099-P0310	3	0	35	MT3099-S30	0	30	126.8
MT3099-S06	0	6	45.2	MT3099-P0610-S24	6	24	126.8
MT3099-P0210-S04	2	4	45.2	MT3099-P1210-S18	12	18	126.8
MT3099-P0410-S02	4	2	45.2	MT3099-P1810-S12	18	12	126.8
MT3099-P0610	6	0	45.2	MT3099-P2410-S06	24	6	126.8
MT3099-S12	0	12	65.6	MT3099-P3010	30	0	126.8
MT3099-P0210-S10	2	10	65.6	MT3099-S36	0	36	150.2
MT3099-P0310-S09	3	9	65.6	MT3099-P0610-S30	6	30	150.2
MT3099-P0610-S06	6	6	65.6	MT3099-P1210-S24	12	24	150.2
MT3099-P0810-S04	8	4	65.6	MT3099-P3610	36	0	150.2
MT3099-P1010-S02	10	2	65.6	MT3099-S42	0	42	170.6
MT3099-P1210	12	0	65.6	MT3099-P0610-S36	6	36	170.6
MT3099-S18	0	18	86	MT3099-P1210-S30	12	30	170.6
MT3099-P0210-S16	2	16	86	MT3099-S48	0	48	193.2
MT3099-P0410-S14	4	14	86	MT3099-P0610-S42	6	42	193.2
MT3099-P0610-S12	6	12	86	MT3099-P0910-S39	9	39	193.2
MT3099-P0810-S10	8	10	86	MT3099-P1210-S36	12	36	193.2
MT3099-P1010-S08	10	8	86	MT3099-P1810-S30	18	30	193.2
MT3099-P1210-S06	12	6	86	MT3099-P2410-S24	24	24	193.2
MT3099-P1410-S04	14	4	86	MT3099-S60	0	60	234
MT3099-P1610-S02	16	2	86	MT3099-P0610-S54	6	54	234
MT3099-S24	0	24	106.4	MT3099-P0910-S51	9	51	234
MT3099-P0410-S20	4	20	106.4	MT3099-P1210-S48	12	48	234
MT3099-P0610-S18	6	18	106.4	MT3099-S72	0	72	277.8

Note: N channels 10A rings parallel can be used as 1 channel N*10A current. For example: 2 rings 10A parallel could be used as 1 wires 20A. 10A,5A (signal) can combine freely in any way.It can be customized based on standard slip ring,please contact customer service for more detmalls.

Specifications

Electrical Data		
Parameter	Value	
	Power	Signal
Rated Voltage	0~690VAC/VDC	0~440VAC/VDC
Insulation Resistance	≥1000MΩ/1000VDC	≥1000MΩ/500VDC
Lead Wires	AWG16#Teflon	AWG22#Teflon
Lead Length	Standard 300mm(adjustable)	
Insulation Strength	1000VAC@50Hz , 60s	
Electrical Noise	<0.01Ω	
Mechanical Data		
Parameter	Value	
Working Life	See Product Quality Level Table	
Rotating Speed	See Product Quality Level Table	
Working Temperature	-30°C~80°C	
Operating Humidity	0~85% RH	
Contact Material	See Product Quality Level Table	
Housing Material	Aluminium Alloy	
Torque	0.1N.m ; +0.03N.m/6rings	
Protection Grade	IP51	

Product Quality Level Table

Products Level Code	Max Rotating Speed	Working Life	Contact Material
VC	250RPM	20 Million Revs	Precious Metal
VD	600RPM	80 Million Revs	Gold-plated
VH	1000RPM	150 Million Revs	Gold-Gold

Lead Wires Color Code

Ring	1	2	3	4	5	6	7	8	9	10	11	12
Color	BLK	RED	YEL	GRN	BLU	WHT	BLK	RED	YEL	GRN	BLU	WHT

(6 wires for 1 group color, from 7-12, repeat the same color as 1...6, indicated with number code pipe)

Options For Custom Slip Ring

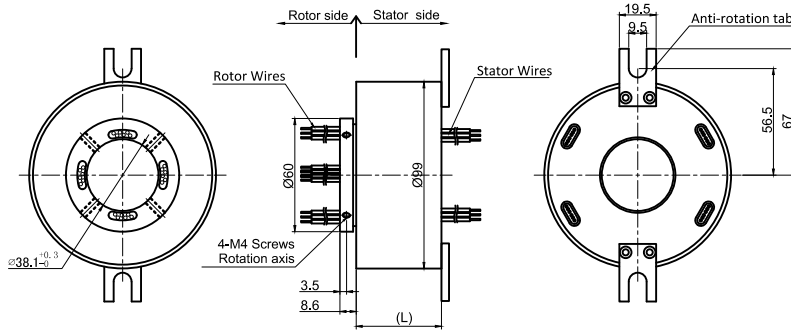
Note: Below special demands can be customized. According, the delivery date will be extended 3 to 15 days; also the cost will be increased 30% to 50%. Most of our basic parts are standard and modular, which can save the cost and lead time.

- ① Cable exit way and cable length can be customized for both rotor and stator.
- ② Because of the structure limitation, length/height/OD can be customized on your request.
- ③ Support current or signal up to 200 rings.
- ④ Aviation plug, terminal and heat-shrink tube are optional.
- ⑤ Hybrid slip ring for Yaskawa/Panasonic/Siemens servo control signal, power line and encoder line.
- ⑥ Support mixed high speed data transmission (including Ethernet, USB, RS232, RS485, Profibus, CanBUS, CANOPEN, DeviceNET, CC-LINK, ProfiNET, EtherCAT, etc.)
- ⑦ Can combine temperature control signal with thermocouple signal.
- ⑧ Special environment can be customized, such as quakeproof, high temperature, etc.
- ⑨ Hybrid Pneumatic/hydraulic and electric slip ring can be mixed.
- ⑩ High temperature can up to 500 degrees.
- ⑪ High pressure can up to 110KV
- ⑫ Rotating speed can up to 10000RPM
- ⑬ Maximum current can up to 5000 amperes.
- ⑭ Military grade
- ⑮ Optional for underwater IP65, IP68.
- ⑯ Optional for stainless steel housing

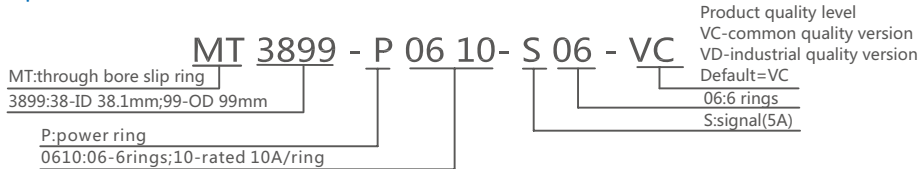
Technical support: technical@moflon.com

MT3899 Series

MT3899 series provides a 38.1mm through-bore for routing of hydraulic or pneumatic lines or hydraulic or pneumatic rotating shaft installation, and a compact 99mm outside diameter, features long life, fiber brush contact technology for ultimate performance in many challenging applications. MT3899 series are standard, off-the-shelf products, Color-coded lead wires are used on both the stator and rotor for simplified electrical connections. It can transmit signal(2A), 10A, multiple 10A current when 360° degree free rotating.



Part# Explanation



Part# List

MT3899 Series Parts# List							
Part#	10A	Signal or 5A	Length-L (mm)	Part#	10A	Signal or 5A	Length-L (mm)
MT3899-S02	0	2	31.6	MT3899-P1210-S12	12	12	106.4
MT3899-P0210	2	0	31.6	MT3899-P1810-S06	18	6	106.4
MT3899-S03	0	3	35	MT3899-P2410	24	0	106.4
MT3899-P0310	3	0	35	MT3899-S30	0	30	126.8
MT3899-S06	0	6	45.2	MT3899-P0610-S24	6	24	126.8
MT3899-P0210-S04	2	4	45.2	MT3899-P1210-S18	12	18	126.8
MT3899-P0410-S02	4	2	45.2	MT3899-P1810-S12	18	12	126.8
MT3899-P0610	6	0	45.2	MT3899-P2410-S06	24	6	126.8
MT3899-S12	0	12	65.6	MT3899-P3010	30	0	126.8
MT3899-P0210-S10	2	10	65.6	MT3899-S36	0	36	150.2
MT3899-P0310-S09	3	9	65.6	MT3899-P0610-S30	6	30	150.2
MT3899-P0610-S06	6	6	65.6	MT3899-P1210-S24	12	24	150.2
MT3899-P0810-S04	8	4	65.6	MT3899-P3610	36	0	150.2
MT3899-P1010-S02	10	2	65.6	MT3899-S42	0	42	170.6
MT3899-P1210	12	0	65.6	MT3899-P0610-S36	6	36	170.6
MT3899-S18	0	18	86	MT3899-P1210-S30	12	30	170.6
MT3899-P0210-S16	2	16	86	MT3899-S48	0	48	193.2
MT3899-P0410-S14	4	14	86	MT3899-P0610-S42	6	42	193.2
MT3899-P0610-S12	6	12	86	MT3899-P0910-S39	9	39	193.2
MT3899-P0810-S10	8	10	86	MT3899-P1210-S36	12	36	193.2
MT3899-P1010-S08	10	8	86	MT3899-P1810-S30	18	30	193.2
MT3899-P1210-S06	12	6	86	MT3899-P2410-S24	24	24	193.2
MT3899-P1410-S04	14	4	86	MT3899-S60	0	60	234
MT3899-P1610-S02	16	2	86	MT3899-P0610-S54	6	54	234
MT3899-S24	0	24	106.4	MT3899-P0910-S51	9	51	234
MT3899-P0410-S20	4	20	106.4	MT3899-P1210-S48	12	48	234
MT3899-P0610-S18	6	18	106.4	MT3899-S72	0	72	277.8

Note: N channels 10A rings parallel can be used as 1 channel N*10A current. For example: 2 rings 10A parallel could be used as 1 wires 20A. 10A,5A (signal) can combine freely in any way.It can be customized based on standard slip ring,please contact customer service for more detmalls.

Specifications

Electrical Data	
Parameter	Value
	Power
Rated Voltage	0~690VAC/VDC
Insulation Resistance	≥1000MΩ/1000VDC
Lead Wires	AWG16#Teflon
Lead Length	Standard 300mm(adjutable)
Insulation Strength	1000VAC@50Hz , 60s
Electrical Noise	<0.01Ω
	Signal
	0~440VAC/VDC
	≥1000MΩ/500VDC
	AWG22#Teflon
Mechanical Data	
Parameter	Value
Working Life	See Product Quality Level Table
Rotating Speed	See Product Quality Level Table
Working Temperature	-30°C~80°C
Operating Humidity	0~85% RH
Contact Material	See Product Quality Level Table
Housing Material	Aluminium Alloy
Torque	0.1N.m ; +0.03N.m/6rings
Protection Grade	IP51

Product Quality Level Table

Products Level Code	Max Rotating Speed	Working Life	Contact Material
VC	250RPM	20 Million Revs	Precious Metal
VD	600RPM	80 Million Revs	Gold-plated
VH	1000RPM	150 Million Revs	Gold-Gold

Lead Wires Color Code

Ring	1	2	3	4	5	6	7	8	9	10	11	12
Color	BLK	RED	YEL	GRN	BLU	WHT	BLK	RED	YEL	GRN	BLU	WHT

(6 wires for 1 group color, from 7-12, repeat the same color as 1...6, indicated with number code pipe)

Options For Custom Slip Ring

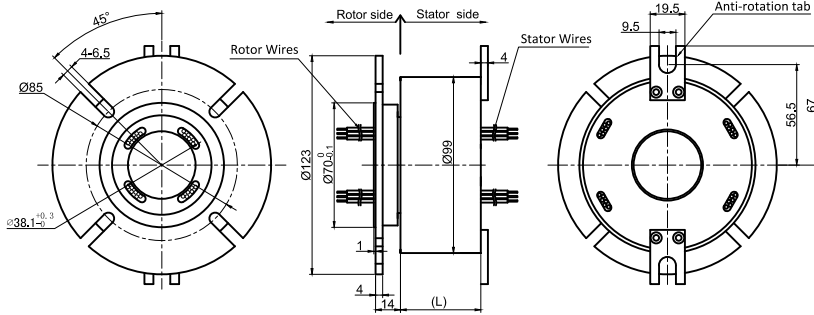
Note: Below special demands can be customized. According, the delivery date will be extended 3 to 15 days; also the cost will be increased 30% to 50%. Most of our basic parts are standard and modular, which can save the cost and lead time.

- ① Cable exit way and cable length can be customized for both rotor and stator.
- ② Because of the structure limitation, length/height/OD can be customized on your request.
- ③ Support current or signal up to 200 rings.
- ④ Aviation plug, terminal and heat-shrink tube are optional.
- ⑤ Hybrid slip ring for Yaskawa/Panasonic/Siemens servo control signal, power line and encoder line.
- ⑥ Support mixed high speed data transmission (including Ethernet, USB, RS232, RS485, Profibus, CanBUS, CANOPEN, DeviceNET, CC-LINK, ProfiNET, EtherCAT, etc.)
- ⑦ Can combine temperature control signal with thermocouple signal.
- ⑧ Special environment can be customized, such as quakeproof, high temperature, etc.
- ⑨ Hybrid Pneumatic/hydraulic and electric slip ring can be mixed.
- ⑩ High temperature can up to 500 degrees.
- ⑪ High pressure can up to 110KV
- ⑫ Rotating speed can up to 10000RPM
- ⑬ Maximum current can up to 5000 amperes.
- ⑭ Military grade
- ⑮ Optional for underwater IP65, IP68.
- ⑯ Optional for stainless steel housing

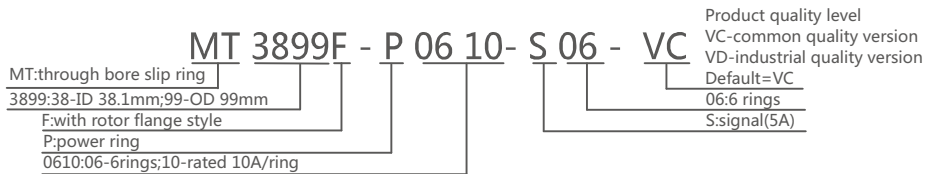
Technical support: technical@moflon.com

MT3899F Series

MT3899F series provides a 38.1mm through-bore for routing of hydraulic or pneumatic lines or hydraulic or pneumatic rotating shaft installation, and a compact 99mm outside diameter, features long life, fiber brush contact technology for ultimate performance in many challenging applications. MT3899F series are standard, off-the-shelf products, Color-coded lead wires are used on both the stator and rotor for simplified electrical connections. It can transmit signal(2A), 10A, multiple 10A current when 360° degree free rotating.



Part# Explanation



Part# List

MT3899F Series Parts# List							
Part#	10A	Signal or 5A	Length-L (mm)	Part#	10A	Signal or 5A	Length-L (mm)
MT3899F-S02	0	2	31.6	MT3899F-P1210-S12	12	12	106.4
MT3899F-P0210	2	0	31.6	MT3899F-P1810-S06	18	6	106.4
MT3899F-S03	0	3	35	MT3899F-P2410	24	0	106.4
MT3899F-P0310	3	0	35	MT3899F-S30	0	30	126.8
MT3899F-S06	0	6	45.2	MT3899F-P0610-S24	6	24	126.8
MT3899F-P0210-S04	2	4	45.2	MT3899F-P1210-S18	12	18	126.8
MT3899F-P0410-S02	4	2	45.2	MT3899F-P1810-S12	18	12	126.8
MT3899F-P0610	6	0	45.2	MT3899F-P2410-S06	24	6	126.8
MT3899F-S12	0	12	65.6	MT3899F-P3010	30	0	126.8
MT3899F-P0210-S10	2	10	65.6	MT3899F-S36	0	36	150.2
MT3899F-P0310-S09	3	9	65.6	MT3899F-P0610-S30	6	30	150.2
MT3899F-P0610-S06	6	6	65.6	MT3899F-P1210-S24	12	24	150.2
MT3899F-P0810-S04	8	4	65.6	MT3899F-P3610	36	0	150.2
MT3899F-P1010-S02	10	2	65.6	MT3899F-S42	0	42	170.6
MT3899F-P1210	12	0	65.6	MT3899F-P0610-S36	6	36	170.6
MT3899F-S18	0	18	86	MT3899F-P1210-S30	12	30	170.6
MT3899F-P0210-S16	2	16	86	MT3899F-S48	0	48	193.2
MT3899F-P0410-S14	4	14	86	MT3899F-P0610-S42	6	42	193.2
MT3899F-P0610-S12	6	12	86	MT3899F-P0910-S39	9	39	193.2
MT3899F-P0810-S10	8	10	86	MT3899F-P1210-S36	12	36	193.2
MT3899F-P1010-S08	10	8	86	MT3899F-P1810-S30	18	30	193.2
MT3899F-P1210-S06	12	6	86	MT3899F-P2410-S24	24	24	193.2
MT3899F-P1410-S04	14	4	86	MT3899F-S60	0	60	234
MT3899F-P1610-S02	16	2	86	MT3899F-P0610-S54	6	54	234
MT3899F-S24	0	24	106.4	MT3899F-P0910-S51	9	51	234
MT3899F-P0410-S20	4	20	106.4	MT3899F-P1210-S48	12	48	234
MT3899F-P0610-S18	6	18	106.4	MT3899F-S72	0	72	277.8

Note: N channels 10A rings parallel can be used as 1 channel N*10A current. For example: 2 rings 10A parallel could be used as 1 wires 20A. 10A,5A (signal) can combine freely in any way.It can be customized based on standard slip ring,please contact customer service for more details.

Specifications

Electrical Data		
Parameter	Value	
	Power	Signal
Rated Voltage	0~690VAC/VDC	0~440VAC/VDC
Insulation Resistance	≥1000MΩ/1000VDC	≥1000MΩ/500VDC
Lead Wires	AWG16#Teflon	AWG22#Teflon
Lead Length	Standard 300mm(adjustable)	
Insulation Strength	1000VAC@50Hz , 60s	
Electrical Noise	<0.01Ω	
Mechanical Data		
Parameter	Value	
Working Life	See Product Quality Level Table	
Rotating Speed	See Product Quality Level Table	
Working Temperature	-30°C~80°C	
Operating Humidity	0~85% RH	
Contact Material	See Product Quality Level Table	
Housing Material	Aluminium Alloy	
Torque	0.1N.m ; +0.03N.m/6rings	
Protection Grade	IP51	

Product Quality Level Table

Products Level Code	Max Rotating Speed	Working Life	Contact Material
VC	250RPM	20 Million Revs	Precious Metal
VD	600RPM	80 Million Revs	Gold-plated
VH	1000RPM	150 Million Revs	Gold-Gold

Lead Wires Color Code

Ring	1	2	3	4	5	6	7	8	9	10	11	12
Color	BLK	RED	YEL	GRN	BLU	WHT	BLK	RED	YEL	GRN	BLU	WHT

(6 wires for 1 group color, from 7-12, repeat the same color as 1...6, indicated with number code pipe)

Options For Custom Slip Ring

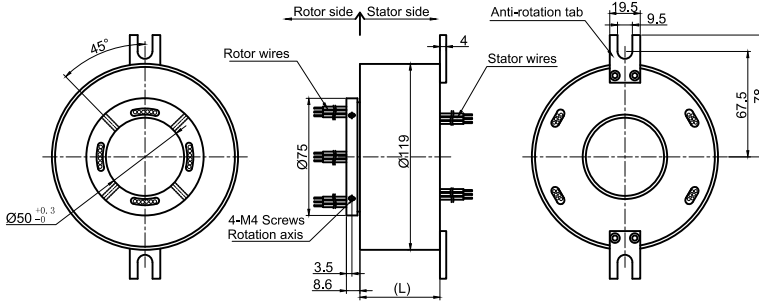
Note: Below special demands can be customized. According, the delivery date will be extended 3 to 15 days; also the cost will be increased 30% to 50%. Most of our basic parts are standard and modular, which can save the cost and lead time.

- ① Cable exit way and cable length can be customized for both rotor and stator.
- ② Because of the structure limitation, length/height/OD can be customized on your request.
- ③ Support current or signal up to 200 rings.
- ④ Aviation plug, terminal and heat-shrink tube are optional.
- ⑤ Hybrid slip ring for Yaskawa/Panasonic/Siemens servo control signal, power line and encoder line.
- ⑥ Support mixed high speed data transmission (including Ethernet, USB, RS232, RS485, Profibus, CanBUS, CANOPEN, DeviceNET, CC-LINK, ProfiNET, EtherCAT, etc.)
- ⑦ Can combine temperature control signal with thermocouple signal.
- ⑧ Special environment can be customized, such as quakeproof, high temperature, etc.
- ⑨ Hybrid Pneumatic/hydraulic and electric slip ring can be mixed.
- ⑩ High temperature can up to 500 degrees.
- ⑪ High pressure can up to 110KV
- ⑫ Rotating speed can up to 10000RPM
- ⑬ Maximum current can up to 5000 amperes.
- ⑭ Military grade
- ⑮ Optional for underwater IP65, IP68.
- ⑯ Optional for stainless steel housing

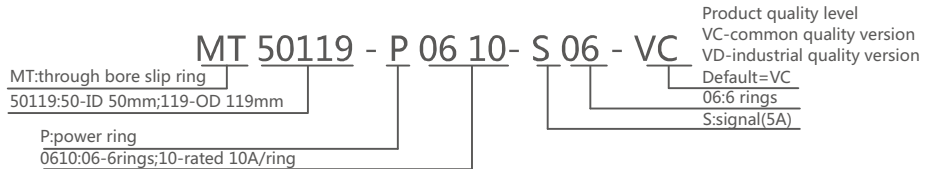
Technical support: technical@moflon.com

MT50119 Series

MT50119 series provides a 50mm through-bore for routing of hydraulic or pneumatic lines or hydraulic or pneumatic rotating shaft installation, and a compact 119mm outside diameter, features long life, fiber brush contact technology for ultimate performance in many challenging applications. MT50119 series are standard, off-the-shelf products, Color-coded lead wires are used on both the stator and rotor for simplified electrical connections. It can transmit signal (2A), 10A, multiple 10A current when 360° degree free rotating.



Part# Explanation



Part# List

MT50119 Series Parts# List							
Part#	10A	Signal or 5A	Length-L (mm)	Part#	10A	Signal or 5A	Length-L (mm)
MT50119-S02	0	2	36	MT50119-S36	0	36	169.2
MT50119-P0210	2	0	36	MT50119-P0610-S30	6	30	169.2
MT50119-S03	0	3	39.8	MT50119-P1210-S24	12	24	169.2
MT50119-P0310	3	0	39.8	MT50119-P3610	36	0	169.2
MT50119-S06	0	6	51.2	MT50119-S42	0	42	192
MT50119-P0210-S04	2	4	51.2	MT50119-P0610-S36	6	36	192
MT50119-P0410-S02	4	2	51.2	MT50119-P1210-S30	12	30	192
MT50119-P0610	6	0	51.2	MT50119-S48	0	48	217.8
MT50119-S12	0	12	74	MT50119-P0610-S42	6	42	217.8
MT50119-P0210-S10	2	10	74	MT50119-P0910-S39	9	39	217.8
MT50119-P0310-S09	3	9	74	MT50119-P1210-S36	12	36	217.8
MT50119-P0610-S06	6	6	74	MT50119-P1810-S30	18	30	217.8
MT50119-P0810-S04	8	4	74	MT50119-P2410-S24	24	24	217.8
MT50119-P1010-S02	10	2	74	MT50119-S60	0	60	263
MT50119-P1210	12	0	74	MT50119-P0610-S54	6	54	263
MT50119-S18	0	18	96.8	MT50119-P0910-S51	9	51	263
MT50119-P0210-S16	2	16	96.8	MT50119-P1210-S48	12	48	263
MT50119-P0410-S14	4	14	96.8	MT50119-S72	0	72	312.6
MT50119-P0610-S12	6	12	96.8	MT50119-P0610-S66	6	66	312.6
MT50119-P0810-S10	8	10	96.8	MT50119-P1210-S60	12	60	312.6
MT50119-P1010-S08	10	8	96.8	MT50119-P2410-S48	24	48	312.6
MT50119-P1210-S06	12	6	96.8	MT50119-P3610-S36	36	36	312.6
MT50119-P1410-S04	14	4	96.8	MT50119-S84	0	84	358.2
MT50119-P1610-S02	16	2	96.8	MT50119-P1210-S72	12	72	358.2
MT50119-S24	0	24	119.6	MT50119-P2410-S60	24	60	358.2
MT50119-P0410-S20	4	20	119.6	MT50119-P3610-S48	36	48	358.2
MT50119-P0610-S18	6	18	119.6	MT50119-S96	0	96	403.8
MT50119-P1210-S12	12	12	119.6	MT50119-P1210-S84	12	84	403.8
MT50119-P1810-S06	18	6	119.6	MT50119-P2410-S72	24	72	403.8
MT50119-P2410	24	0	119.6	MT50119-P3610-S60	36	60	403.8
MT50119-S30	0	30	142.4	MT50119-P4210-S54	42	54	403.8
MT50119-P0610-S24	6	24	142.4	MT50119-S108	0	108	453.4
MT50119-P1210-S18	12	18	142.4	MT50119-P1210-S96	12	96	453.4
MT50119-P1810-S12	18	12	142.4	MT50119-P2410-S84	24	84	453.4
MT50119-P2410-S06	24	6	142.4	MT50119-P3610-S72	36	72	453.4
MT50119-P3010	30	0	142.4	MT50119-P4810-S60	48	60	453.4

Note: N channels 10A rings parallel can be used as 1 channel N*10A current. For example: 2 rings 10A parallel could be used as 1 wires 20A. 10A,5A (signal) can combine freely in any way.It can be customized based on standard slip ring,please contact customer service for more detmalls.

Specifications

Electrical Data		
Parameter	Value	
	Power	Signal
Rated Voltage	0~690VAC/VDC	0~440VAC/VDC
Insulation Resistance	≥1000MΩ/1000VDC	≥1000MΩ/500VDC
Lead Wires	AWG16#Teflon	AWG22#Teflon
Lead Length	Standard 300mm(adjustable)	
Insulation Strength	1000VAC@50Hz , 60s	
Electrical Noise	<0.01Ω	
Mechanical Data		
Parameter	Value	
Working Life	See Product Quality Level Table	
Rotating Speed	See Product Quality Level Table	
Working Temperature	-30°C~80°C	
Operating Humidity	0~85% RH	
Contact Material	See Product Quality Level Table	
Housing Material	Aluminium Alloy	
Torque	0.1N.m ; +0.03N.m/6rings	
Protection Grade	IP51	

Product Quality Level Table

Products Level Code	Max Rotating Speed	Working Life	Contact Material
VC	250RPM	20 Million Revs	Precious Metal
VD	600RPM	80 Million Revs	Gold-plated
VH	1000RPM	150 Million Revs	Gold-Gold

Lead Wires Color Code

Ring	1	2	3	4	5	6	7	8	9	10	11	12
Color	BLK	RED	YEL	GRN	BLU	WHT	BLK	RED	YEL	GRN	BLU	WHT

(6 wires for 1 group color, from 7-12, repeat the same color as 1...6, indicated with number code pipe)

Options For Custom Slip Ring

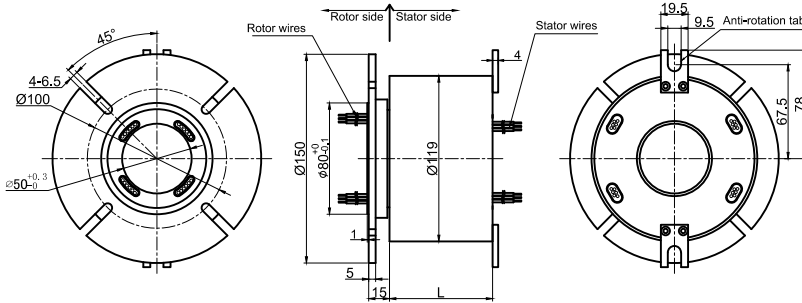
Note: Below special demands can be customized. According, the delivery date will be extended 3 to 15 days; also the cost will be increased 30% to 50%. Most of our basic parts are standard and modular, which can save the cost and lead time.

- ① Cable exit way and cable length can be customized for both rotor and stator.
- ② Because of the structure limitation, length/height/OD can be customized on your request.
- ③ Support current or signal up to 200 rings.
- ④ Aviation plug, terminal and heat-shrink tube are optional.
- ⑤ Hybrid slip ring for Yaskawa/Panasonic/Siemens servo control signal, power line and encoder line.
- ⑥ Support mixed high speed data transmission (including Ethernet, USB, RS232, RS485, Profibus, CanBUS, CANOPEN, DeviceNET, CC-LINK, ProfiNET, EtherCAT, etc.)
- ⑦ Can combine temperature control signal with thermocouple signal.
- ⑧ Special environment can be customized, such as quakeproof, high temperature, etc.
- ⑨ Hybrid Pneumatic/hydraulic and electric slip ring can be mixed.
- ⑩ High temperature can up to 500 degrees.
- ⑪ High pressure can up to 110KV
- ⑫ Rotating speed can up to 10000RPM
- ⑬ Maximum current can up to 5000 amperes.
- ⑭ Military grade
- ⑮ Optional for underwater IP65, IP68.
- ⑯ Optional for stainless steel housing

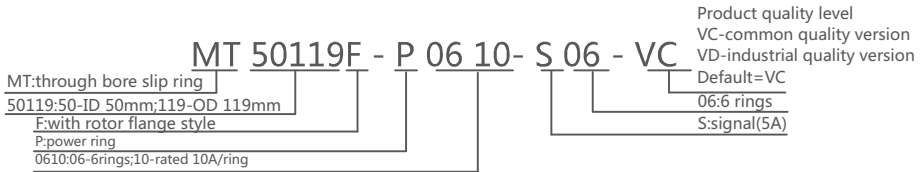
Technical support: technical@moflon.com

MT50119F Series

MT50119F series provides a 50mm through-bore for routing of hydraulic or pneumatic lines or hydraulic or pneumatic rotating shaft installation, and a compact 119mm outside diameter, features long life, fiber brush contact technology for ultimate performance in many challenging applications. MT50119F series are standard, off-the-shelf products, Color-coded lead wires are used on both the stator and rotor for simplified electrical connections. It can transmit signal (2A), 10A, multiple 10A current when 360° degree free rotating.



Part# Explanation



Part# List

MT50119F Series Parts# List							
Part#	10A	Signal or 5A	Length-L (mm)	Part#	10A	Signal or 5A	Length-L (mm)
MT50119F-S02	0	2	36	MT50119F-S36	0	36	169.2
MT50119F-P0210	2	0	36	MT50119F-P0610-S30	6	30	169.2
MT50119F-S03	0	3	39.8	MT50119F-P1210-S24	12	24	169.2
MT50119F-P0310	3	0	39.8	MT50119F-P3610	36	0	169.2
MT50119F-S06	0	6	51.2	MT50119F-S42	0	42	192
MT50119F-P0210-S04	2	4	51.2	MT50119F-P0610-S36	6	36	192
MT50119F-P0410-S02	4	2	51.2	MT50119F-P1210-S30	12	30	192
MT50119F-P0610	6	0	51.2	MT50119F-S48	0	48	217.8
MT50119F-S12	0	12	74	MT50119F-P0610-S42	6	42	217.8
MT50119F-P0210-S10	2	10	74	MT50119F-P0910-S39	9	39	217.8
MT50119F-P0310-S09	3	9	74	MT50119F-P1210-S36	12	36	217.8
MT50119F-P0610-S06	6	6	74	MT50119F-P1810-S30	18	30	217.8
MT50119F-P0810-S04	8	4	74	MT50119F-P2410-S24	24	24	217.8
MT50119F-P1010-S02	10	2	74	MT50119F-S60	0	60	263
MT50119F-P1210	12	0	74	MT50119F-P0610-S54	6	54	263
MT50119F-S18	0	18	96.8	MT50119F-P0910-S51	9	51	263
MT50119F-P0210-S16	2	16	96.8	MT50119F-P1210-S48	12	48	263
MT50119F-P0410-S14	4	14	96.8	MT50119F-S72	0	72	312.6
MT50119F-P0610-S12	6	12	96.8	MT50119F-P0610-S66	6	66	312.6
MT50119F-P0810-S10	8	10	96.8	MT50119F-P1210-S60	12	60	312.6
MT50119F-P1010-S08	10	8	96.8	MT50119F-P2410-S48	24	48	312.6
MT50119F-P1210-S06	12	6	96.8	MT50119F-P3610-S36	36	36	312.6
MT50119F-P1410-S04	14	4	96.8	MT50119F-S84	0	84	358.2
MT50119F-P1610-S02	16	2	96.8	MT50119F-P1210-S72	12	72	358.2
MT50119F-S24	0	24	119.6	MT50119F-P2410-S60	24	60	358.2
MT50119F-P0410-S20	4	20	119.6	MT50119F-P3610-S48	36	48	358.2
MT50119F-P0610-S18	6	18	119.6	MT50119F-S96	0	96	403.8
MT50119F-P1210-S12	12	12	119.6	MT50119F-P1210-S84	12	84	403.8
MT50119F-P1810-S06	18	6	119.6	MT50119F-P2410-S72	24	72	403.8
MT50119F-P2410	24	0	119.6	MT50119F-P3610-S60	36	60	403.8
MT50119F-S30	0	30	142.4	MT50119F-P4210-S54	42	54	403.8
MT50119F-P0610-S24	6	24	142.4	MT50119F-S108	0	108	453.4
MT50119F-P1210-S18	12	18	142.4	MT50119F-P1210-S96	12	96	453.4
MT50119F-P1810-S12	18	12	142.4	MT50119F-P2410-S84	24	84	453.4
MT50119F-P2410-S06	24	6	142.4	MT50119F-P3610-S72	36	72	453.4
MT50119F-P3010	30	0	142.4	MT50119F-P4810-S60	48	60	453.4

Note: N channels 10A rings parallel can be used as 1 channel N*10A current. For example: 2 rings 10A parallel could be used as 1 wires 20A. 10A,5A (signal) can combine freely in any way.It can be customized based on standard slip ring,please contact customer service for more detmails.

Specifications

Electrical Data		
Parameter	Value	
	Power	Signal
Rated Voltage	0~690VAC/VDC	0~440VAC/VDC
Insulation Resistance	≥1000MΩ/1000VDC	≥1000MΩ/500VDC
Lead Wires	AWG16#Teflon	AWG22#Teflon
Lead Length	Standard 300mm(adjustable)	
Insulation Strength	1000VAC@50Hz , 60s	
Electrical Noise	<0.01Ω	
Mechanical Data		
Parameter	Value	
Working Life	See Product Quality Level Table	
Rotating Speed	See Product Quality Level Table	
Working Temperature	-30°C~80°C	
Operating Humidity	0~85% RH	
Contact Material	See Product Quality Level Table	
Housing Material	Aluminium Alloy	
Torque	0.1N.m ; +0.03N.m/6rings	
Protection Grade	IP51	

Product Quality Level Table

Products Level Code	Max Rotating Speed	Working Life	Contact Material
VC	250RPM	20 Million Revs	Precious Metal
VD	600RPM	80 Million Revs	Gold-plated
VH	1000RPM	150 Million Revs	Gold-Gold

Lead Wires Color Code

Ring	1	2	3	4	5	6	7	8	9	10	11	12
Color	BLK	RED	YEL	GRN	BLU	WHT	BLK	RED	YEL	GRN	BLU	WHT

(6 wires for 1 group color, from 7-12, repeat the same color as 1...6, indicated with number code pipe)

Options For Custom Slip Ring

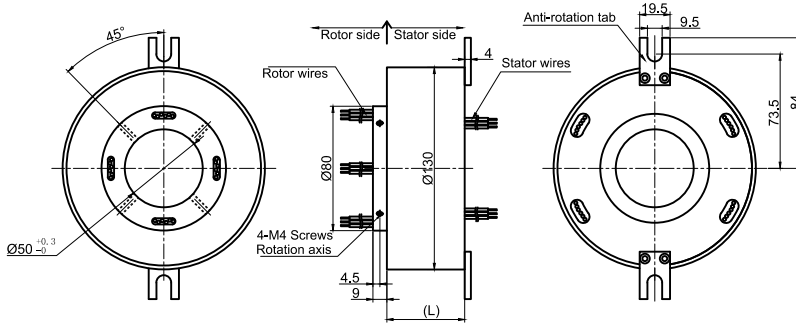
Note: Below special demands can be customized. According, the delivery date will be extended 3 to 15 days; also the cost will be increased 30% to 50%. Most of our basic parts are standard and modular, which can save the cost and lead time.

- ① Cable exit way and cable length can be customized for both rotor and stator.
- ② Because of the structure limitation, length/height/OD can be customized on your request.
- ③ Support current or signal up to 200 rings.
- ④ Aviation plug, terminal and heat-shrink tube are optional.
- ⑤ Hybrid slip ring for Yaskawa/Panasonic/Siemens servo control signal, power line and encoder line.
- ⑥ Support mixed high speed data transmission (including Ethernet, USB, RS232, RS485, Profibus, CanBUS, CANOPEN, DeviceNET, CC-LINK, ProfiNET, EtherCAT, etc.)
- ⑦ Can combine temperature control signal with thermocouple signal.
- ⑧ Special environment can be customized, such as quakeproof, high temperature, etc.
- ⑨ Hybrid Pneumatic/hydraulic and electric slip ring can be mixed.
- ⑩ High temperature can up to 500 degrees.
- ⑪ High pressure can up to 110KV
- ⑫ Rotating speed can up to 10000RPM
- ⑬ Maximum current can up to 5000 amperes.
- ⑭ Military grade
- ⑮ Optional for underwater IP65, IP68.
- ⑯ Optional for stainless steel housing

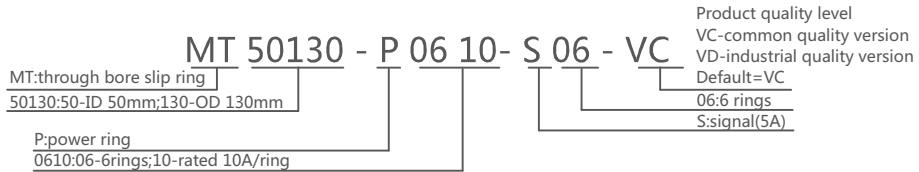
Technical support: technical@moflon.com

MT50130 Series

MT50130 series provides a 50mm through-bore for routing of hydraulic or pneumatic lines or hydraulic or pneumatic rotating shaft installation, and a compact 130mm outside diameter, features long life, fiber brush contact technology for ultimate performance in many challenging applications. MT50130 series are standard, off-the-shelf products, Color-coded lead wires are used on both the stator and rotor for simplified electrical connections. It can transmit signal(2A), 10A, multiple 10A current when 360° degree free rotating.



Part# Explanation



Part# List

MT50130 Series Parts# List							
Part#	10A	Signal or 5A	Length-L (mm)	Part#	10A	Signal or 5A	Length-L (mm)
MT50130-S02	0	2	35.6	MT50130-S48	0	48	207.8
MT50130-P0210	2	0	35.6	MT50130-P0610-S42	6	42	207.8
MT50130-S03	0	3	39.2	MT50130-P0910-S39	9	39	207.8
MT50130-P0310	3	0	39.2	MT50130-P1210-S36	12	36	207.8
MT50130-S06	0	6	50	MT50130-P1810-S30	18	30	207.8
MT50130-P0210-S04	2	4	50	MT50130-P2410-S24	24	24	207.8
MT50130-P0410-S02	4	2	50	MT50130-S60	0	60	251
MT50130-P0610	6	0	50	MT50130-P0610-S54	6	54	251
MT50130-S12	0	12	71.6	MT50130-P0910-S51	9	51	251
MT50130-P0210-S10	2	10	71.6	MT50130-P1210-S48	12	48	251
MT50130-P0310-S09	3	9	71.6	MT50130-S72	0	72	298.2
MT50130-P0610-S06	6	6	71.6	MT50130-P0610-S66	6	66	298.2
MT50130-P0810-S04	8	4	71.6	MT50130-P1210-S60	12	60	298.2
MT50130-P1010-S02	10	2	71.6	MT50130-P2410-S48	24	48	298.2
MT50130-P1210	12	0	71.6	MT50130-P3610-S36	36	36	298.2
MT50130-S18	0	18	93.2	MT50130-S84	0	84	341.4
MT50130-P0210-S16	2	16	93.2	MT50130-P1210-S72	12	72	341.4
MT50130-P0410-S14	4	14	93.2	MT50130-P2410-S60	24	60	341.4
MT50130-P0610-S12	6	12	93.2	MT50130-P3610-S48	36	48	341.4
MT50130-P0810-S10	8	10	93.2	MT50130-S96	0	96	384.6
MT50130-P1010-S08	10	8	93.2	MT50130-P1210-S84	12	84	384.6
MT50130-P1210-S06	12	6	93.2	MT50130-P2410-S72	24	72	384.6
MT50130-P1410-S04	14	4	93.2	MT50130-P3610-S60	36	60	384.6
MT50130-P1610-S02	16	2	93.2	MT50130-P4210-S54	42	54	384.6
MT50130-S24	0	24	114.8	MT50130-S108	0	108	431.8
MT50130-P0410-S20	4	20	114.8	MT50130-P1210-S96	12	96	431.8
MT50130-P0610-S18	6	18	114.8	MT50130-P2410-S84	24	84	431.8
MT50130-P1210-S12	12	12	114.8	MT50130-P3610-S72	36	72	431.8
MT50130-P1810-S06	18	6	114.8	MT50130-S120	0	120	475
MT50130-P2410	24	0	114.8	MT50130-P1210-S108	12	108	475
MT50130-S30	0	30	136.4	MT50130-P2410-S96	24	96	475
MT50130-P0610-S24	6	24	136.4	MT50130-P3610-S84	36	84	475
MT50130-P1210-S18	12	18	136.4	MT50130-P4810-S72	48	72	475
MT50130-P1810-S12	18	12	136.4	MT50130-S132	0	132	518.2
MT50130-P2410-S06	24	6	136.4	MT50130-P1210-S120	12	120	518.2
MT50130-P3010	30	0	136.4	MT50130-P2410-S108	24	108	518.2

MT50130-S36	0	36	162	MT50130-P3610-S96	36	96	518.2
MT50130-P0610-S30	6	30	162	MT50130-P4810-S84	48	84	518.2
MT50130-P1210-S24	12	24	162	MT50130-S144	0	144	561.4
MT50130-P3610	36	0	162	MT50130-P1210-S132	12	132	561.4
MT50130-S42	0	42	186.2	MT50130-P2410-S120	24	120	561.4
MT50130-P0610-S36	6	36	186.2	MT50130-P3610-S108	36	108	561.4
MT50130-P1210-S30	12	30	186.2	MT50130-P4810-S96	48	96	561.4

Note: N channels 10A rings parallel can be used as 1 channel N*10A current. For example: 2 rings 10A parallel could be used as 1 wires 20A. 10A,5A (signal) can combine freely in any way.It can be customized based on standard slip ring,please contact customer service for more detmails.

Specifications

Electrical Data	
Parameter	Value
	Power
Rated Voltage	0~690VAC/VDC
Insulation Resistance	≥1000MΩ/1000VDC
Lead Wires	AWG16#Teflon
Lead Length	Standard 300mm(adjustable)
Insulation Strength	1000VAC@50Hz , 60s
Electrical Noise	<0.01Ω
	Mechanical Data
Parameter	Value
Working Life	See Product Quality Level Table
Rotating Speed	See Product Quality Level Table
Working Temperature	-30°C~80°C
Operating Humidity	0~85% RH
Contact Material	See Product Quality Level Table
Housing Material	Aluminium Alloy
Torque	0.1N.m ; +0.03N.m/6rings
Protection Grade	IP51

Product Quality Level Table

Products Level Code	Max Rotating Speed	Working Life	Contact Material
VC	250RPM	20 Million Revs	Precious Metal
VD	600RPM	80 Million Revs	Gold-plated
VH	1000RPM	150 Million Revs	Gold-Gold

Lead Wires Color Code

Ring	1	2	3	4	5	6	7	8	9	10	11	12
Color	BLK	RED	YEL	GRN	BLU	WHT	BLK	RED	YEL	GRN	BLU	WHT

(6 wires for 1 group color, from 7-12, repeat the same color as 1...6, indicated with number code pipe)

Options For Custom Slip Ring

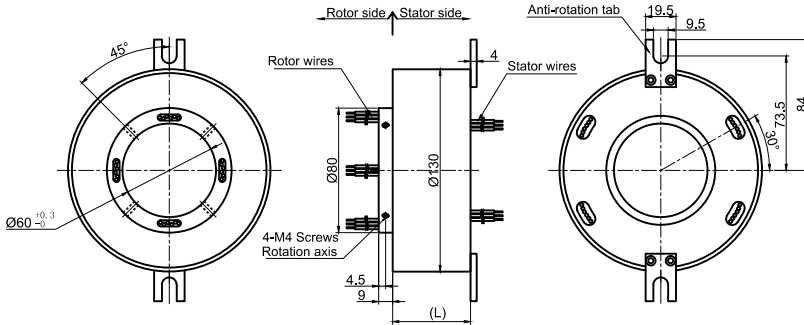
Note: Below special demands can be customized. According, the delivery date will be extended 3 to 15 days; also the cost will be increased 30% to 50%. Most of our basic parts are standard and modular, which can save the cost and lead time.

- ① Cable exit way and cable length can be customized for both rotor and stator.
- ② Because of the structure limitation, length/height/OD can be customized on your request.
- ③ Support current or signal up to 200 rings.
- ④ Aviation plug, terminal and heat-shrink tube are optional.
- ⑤ Hybrid slip ring for Yaskawa/Panasonic/Siemens servo control signal, power line and encoder line.
- ⑥ Support mixed high speed data transmission (including Ethernet, USB, RS232, RS485, Profibus, CanBUS, CANOPEN, DeviceNET, CC-LINK, ProfiNET, EtherCAT, etc.)
- ⑦ Can combine temperature control signal with thermocouple signal.
- ⑧ Special environment can be customized, such as quakeproof, high temperature, etc.
- ⑨ Hybrid Pneumatic/hydraulic and electric slip ring can be mixed.
- ⑩ High temperature can up to 500 degrees.
- ⑪ High pressure can up to 110KV
- ⑫ Rotating speed can up to 10000RPM
- ⑬ Maximum current can up to 5000 amperes.
- ⑭ Military grade
- ⑮ Optional for underwater IP65, IP68.
- ⑯ Optional for stainless steel housing

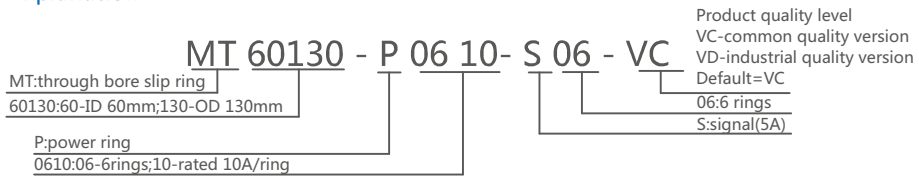
Technical support: technical@moflon.com

MT60130 Series

MT60130 series provides a 60mm through-bore for routing of hydraulic or pneumatic lines or hydraulic or pneumatic rotating shaft installation, and a compact 130mm outside diameter, features long life, fiber brush contact technology for ultimate performance in many challenging applications. MT60130 series are standard, off-the-shelf products, Color-coded lead wires are used on both the stator and rotor for simplified electrical connections. It can transmit signal(2A), 10A, multiple 10A current when 360° degree free rotating.



Part# Explanation



Part# List

MT60130 Series Parts# List							
Part#	10A	Signal or 5A	Length-L (mm)	Part#	10A	Signal or 5A	Length-L (mm)
MT60130-S02	0	2	35.6	MT60130-S36	0	36	162
MT60130-P0210	2	0	35.6	MT60130-P0610-S30	6	30	162
MT60130-S03	0	3	39.2	MT60130-P1210-S24	12	24	162
MT60130-P0310	3	0	39.2	MT60130-P3610	36	0	162
MT60130-S06	0	6	50	MT60130-S42	0	42	186.2
MT60130-P0210-S04	2	4	50	MT60130-P0610-S36	6	36	186.2
MT60130-P0410-S02	4	2	50	MT60130-P1210-S30	12	30	186.2
MT60130-P0610	6	0	50	MT60130-S48	0	48	207.8
MT60130-S12	0	12	71.6	MT60130-P0610-S42	6	42	207.8
MT60130-P0210-S10	2	10	71.6	MT60130-P0910-S39	9	39	207.8
MT60130-P0310-S09	3	9	71.6	MT60130-P1210-S36	12	36	207.8
MT60130-P0610-S06	6	6	71.6	MT60130-P1810-S30	18	30	207.8
MT60130-P0810-S04	8	4	71.6	MT60130-P2410-S24	24	24	207.8
MT60130-P1010-S02	10	2	71.6	MT60130-S60	0	60	251
MT60130-P1210	12	0	71.6	MT60130-P0610-S54	6	54	251
MT60130-S18	0	18	93.2	MT60130-P0910-S51	9	51	251
MT60130-P0210-S16	2	16	93.2	MT60130-P1210-S48	12	48	251
MT60130-P0410-S14	4	14	93.2	MT60130-S72	0	72	298.2
MT60130-P0610-S12	6	12	93.2	MT60130-P0610-S66	6	66	298.2
MT60130-P0810-S10	8	10	93.2	MT60130-P1210-S60	12	60	298.2
MT60130-P1010-S08	10	8	93.2	MT60130-P2410-S48	24	48	298.2
MT60130-P1210-S06	12	6	93.2	MT60130-P3610-S36	36	36	298.2
MT60130-P1410-S04	14	4	93.2	MT60130-S84	0	84	341.4
MT60130-P1610-S02	16	2	93.2	MT60130-P1210-S72	12	72	341.4
MT60130-S24	0	24	114.8	MT60130-P2410-S60	24	60	341.4
MT60130-P0410-S20	4	20	114.8	MT60130-P3610-S48	36	48	341.4
MT60130-P0610-S18	6	18	114.8	MT60130-S96	0	96	384.6
MT60130-P1210-S12	12	12	114.8	MT60130-P1210-S84	12	84	384.6
MT60130-P1810-S06	18	6	114.8	MT60130-P2410-S72	24	72	384.6
MT60130-P2410	24	0	114.8	MT60130-P3610-S60	36	60	384.6
MT60130-S30	0	30	136.4	MT60130-P4210-S54	42	54	384.6
MT60130-P0610-S24	6	24	136.4	MT60130-S108	0	108	431.8
MT60130-P1210-S18	12	18	136.4	MT60130-P1210-S96	12	96	431.8
MT60130-P1810-S12	18	12	136.4	MT60130-P2410-S84	24	84	431.8
MT60130-P2410-S06	24	6	136.4	MT60130-P3610-S72	36	72	431.8
MT60130-P3010	30	0	136.4	MT60130-P4810-S60	48	60	431.8

Note: N channels 10A rings parallel can be used as 1 channel N*10A current. For example: 2 rings 10A parallel could be used as 1 wires 20A. 10A,5A (signal) can combine freely in any way.It can be customized based on standard slip ring,please contact customer service for more detmalls.

Specifications

Electrical Data		
Parameter	Value	
	Power	Signal
Rated Voltage	0~690VAC/VDC	0~440VAC/VDC
Insulation Resistance	≥1000MΩ/1000VDC	≥1000MΩ/500VDC
Lead Wires	AWG16#Teflon	AWG22#Teflon
Lead Length	Standard 300mm(adjustable)	
Insulation Strength	1000VAC@50Hz , 60s	
Electrical Noise	<0.01Ω	
Mechanical Data		
Parameter	Value	
Working Life	See Product Quality Level Table	
Rotating Speed	See Product Quality Level Table	
Working Temperature	-30°C~80°C	
Operating Humidity	0~85% RH	
Contact Material	See Product Quality Level Table	
Housing Material	Aluminium Alloy	
Torque	0.1N.m ; +0.03N.m/6rings	
Protection Grade	IP51	

Product Quality Level Table

Products Level Code	Max Rotating Speed	Working Life	Contact Material
VC	250RPM	20 Million Revs	Precious Metal
VD	600RPM	80 Million Revs	Gold-plated
VH	1000RPM	150 Million Revs	Gold-Gold

Lead Wires Color Code

Ring	1	2	3	4	5	6	7	8	9	10	11	12
Color	BLK	RED	YEL	GRN	BLU	WHT	BLK	RED	YEL	GRN	BLU	WHT

(6 wires for 1 group color, from 7-12, repeat the same color as 1...6, indicated with number code pipe)

Options For Custom Slip Ring

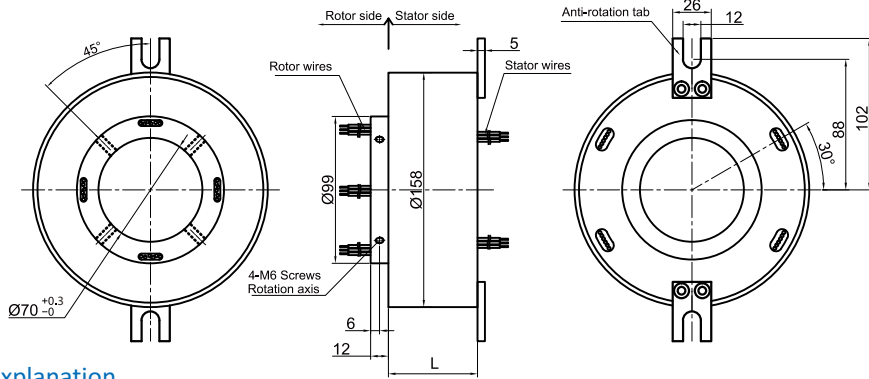
Note: Below special demands can be customized. According, the delivery date will be extended 3 to 15 days; also the cost will be increased 30% to 50%. Most of our basic parts are standard and modular, which can save the cost and lead time.

- ① Cable exit way and cable length can be customized for both rotor and stator.
- ② Because of the structure limitation, length/height/OD can be customized on your request.
- ③ Support current or signal up to 200 rings.
- ④ Aviation plug, terminal and heat-shrink tube are optional.
- ⑤ Hybrid slip ring for Yaskawa/Panasonic/Siemens servo control signal, power line and encoder line.
- ⑥ Support mixed high speed data transmission (including Ethernet, USB, RS232, RS485, Profibus, CanBUS, CANOPEN, DeviceNET, CC-LINK, ProfiNET, EtherCAT, etc.)
- ⑦ Can combine temperature control signal with thermocouple signal.
- ⑧ Special environment can be customized, such as quakeproof, high temperature, etc.
- ⑨ Hybrid Pneumatic/hydraulic and electric slip ring can be mixed.
- ⑩ High temperature can up to 500 degrees.
- ⑪ High pressure can up to 110KV
- ⑫ Rotating speed can up to 10000RPM
- ⑬ Maximum current can up to 5000 amperes.
- ⑭ Military grade
- ⑮ Optional for underwater IP65, IP68.
- ⑯ Optional for stainless steel housing

Technical support: technical@moflon.com

MT70158 Series

Mt70158 series provides a 70mm through-bore for routing of hydraulic or pneumatic lines or hydraulic or pneumatic rotating shaft installation, and a compact 158mm outside diameter, features long life, fiber brush contact technology for ultimate performance in many challenging applications. MT70158 series are standard, off-the-shelf products, Color-coded lead wires are used on both the stator and rotor for simplified electrical connections. It can transmit signal(2A), 10A, multiple 10A current when 360° degree free rotating.



Part# Explanation

MT 70158 - P 06 10 - S 06 - VC

- MT:through bore slip ring
- 70158:70-ID 70mm;158-OD 158mm
- P:power ring
- 0610:06-6rings;10-rated 10A/ring
- S:signal(5A)
- VC:common quality version
- VD=industrial quality version
- Default=VC
- 06:6 rings

Part# List

MT70158 Series Parts# List							
Part#	10A	Signal or 5A	Length-L (mm)	Part#	10A	Signal or 5A	Length-L (mm)
MT70158-S02	0	2	45.6	MT70158-S36	0	36	172
MT70158-P0210	2	0	45.6	MT70158-P0610-S30	6	30	172
MT70158-S03	0	3	49.2	MT70158-P1210-S24	12	24	172
MT70158-P0310	3	0	49.2	MT70158-P3610	36	0	172
MT70158-S06	0	6	60	MT70158-S42	0	42	193.6
MT70158-P0210-S04	2	4	60	MT70158-P0610-S36	6	36	193.6
MT70158-P0410-S02	4	2	60	MT70158-P1210-S30	12	30	193.6
MT70158-P0610	6	0	60	MT70158-S48	0	48	215.2
MT70158-S12	0	12	81.6	MT70158-P0610-S42	6	42	215.2
MT70158-P0210-S10	2	10	81.6	MT70158-P0910-S39	9	39	215.2
MT70158-P0310-S09	3	9	81.6	MT70158-P1210-S36	12	36	215.2
MT70158-P0610-S06	6	6	81.6	MT70158-P1810-S30	18	30	215.2
MT70158-P0810-S04	8	4	81.6	MT70158-P2410-S24	24	24	215.2
MT70158-P1010-S02	10	2	81.6	MT70158-S60	0	60	270
MT70158-P1210	12	0	81.6	MT70158-P0610-S54	6	54	270
MT70158-S18	0	18	103.2	MT70158-P0910-S51	9	51	270
MT70158-P0210-S16	2	16	103.2	MT70158-P1210-S48	12	48	270
MT70158-P0410-S14	4	14	103.2	MT70158-S72	0	72	317.2
MT70158-P0610-S12	6	12	103.2	MT70158-P0610-S66	6	66	317.2
MT70158-P0810-S10	8	10	103.2	MT70158-P1210-S60	12	60	317.2
MT70158-P1010-S08	10	8	103.2	MT70158-P2410-S48	24	48	317.2
MT70158-P1210-S06	12	6	103.2	MT70158-P3610-S36	36	36	317.2
MT70158-P1410-S04	14	4	103.2	MT70158-S84	0	84	360.4
MT70158-P1610-S02	16	2	103.2	MT70158-P1210-S72	12	72	360.4
MT70158-S24	0	24	124.8	MT70158-P2410-S60	24	60	360.4
MT70158-P0410-S20	4	20	124.8	MT70158-P3610-S48	36	48	360.4
MT70158-P0610-S18	6	18	124.8	MT70158-S96	0	96	407.6
MT70158-P1210-S12	12	12	124.8	MT70158-P1210-S84	12	84	407.6
MT70158-P1810-S06	18	6	124.8	MT70158-P2410-S72	24	72	407.6
MT70158-P2410	24	0	124.8	MT70158-P3610-S60	36	60	407.6
MT70158-S30	0	30	146.4	MT70158-P4210-S54	42	54	407.6
MT70158-P0610-S24	6	24	146.4	MT70158-S108	0	108	450.8
MT70158-P1210-S18	12	18	146.4	MT70158-P1210-S96	12	96	450.8
MT70158-P1810-S12	18	12	146.4	MT70158-P2410-S84	24	84	450.8
MT70158-P2410-S06	24	6	146.4	MT70158-P3610-S72	36	72	450.8
MT70158-P3010	30	0	146.4	MT70158-P4810-S60	48	60	450.8

Note: N channels 10A rings parallel can be used as 1 channel N*10A current. For example: 2 rings 10A parallel could be used as 1 wires 20A. 10A,5A (signal) can combine freely in any way.It can be customized based on standard slip ring,please contact customer service for more detmails.

Specifications

Electrical Data		
Parameter	Value	
	Power	Signal
Rated Voltage	0~690VAC/VDC	0~440VAC/VDC
Insulation Resistance	≥1000MΩ/1000VDC	≥1000MΩ/500VDC
Lead Wires	AWG16#Teflon	AWG22#Teflon
Lead Length	Standard 300mm(adjustable)	
Insulation Strength	1000VAC@50Hz , 60s	
Electrical Noise	<0.01Ω	
Mechanical Data		
Parameter	Value	
Working Life	See Product Quality Level Table	
Rotating Speed	See Product Quality Level Table	
Working Temperature	-30°C~80°C	
Operating Humidity	0~85% RH	
Contact Material	See Product Quality Level Table	
Housing Material	Aluminium Alloy	
Torque	0.1N.m ; +0.03N.m/6rings	
Protection Grade	IP51	

Product Quality Level Table

Products Level Code	Max Rotating Speed	Working Life	Contact Material
VC	150RPM	10 Million Revs	Precious Metal
VD	400RPM	30 Million Revs	Gold-plated
VH	800RPM	80 Million Revs	Gold-Gold

Lead Wires Color Code

Ring	1	2	3	4	5	6	7	8	9	10	11	12
Color	BLK	RED	YEL	GRN	BLU	WHT	BLK	RED	YEL	GRN	BLU	WHT

(6 wires for 1 group color, from 7-12, repeat the same color as 1...6, indicated with number code pipe)

Options For Custom Slip Ring

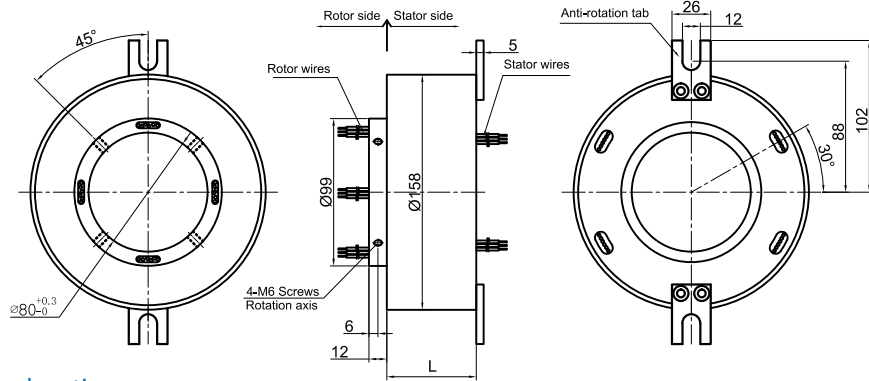
Note: Below special demands can be customized. According, the delivery date will be extended 3 to 15 days; also the cost will be increased 30% to 50%. Most of our basic parts are standard and modular, which can save the cost and lead time.

- ① Cable exit way and cable length can be customized for both rotor and stator.
- ② Because of the structure limitation, length/height/OD can be customized on your request.
- ③ Support current or signal up to 200 rings.
- ④ Aviation plug, terminal and heat-shrink tube are optional.
- ⑤ Hybrid slip ring for Yaskawa/Panasonic/Siemens servo control signal, power line and encoder line.
- ⑥ Support mixed high speed data transmission (including Ethernet, USB, RS232, RS485, Profibus, CanBUS, CANOPEN, DeviceNET, CC-LINK, ProfiNET, EtherCAT, etc.)
- ⑦ Can combine temperature control signal with thermocouple signal.
- ⑧ Special environment can be customized, such as quakeproof, high temperature, etc.
- ⑨ Hybrid Pneumatic/hydraulic and electric slip ring can be mixed.
- ⑩ High temperature can up to 500 degrees.
- ⑪ High pressure can up to 110KV
- ⑫ Rotating speed can up to 10000RPM
- ⑬ Maximum current can up to 5000 amperes.
- ⑭ Military grade
- ⑮ Optional for underwater IP65, IP68.
- ⑯ Optional for stainless steel housing

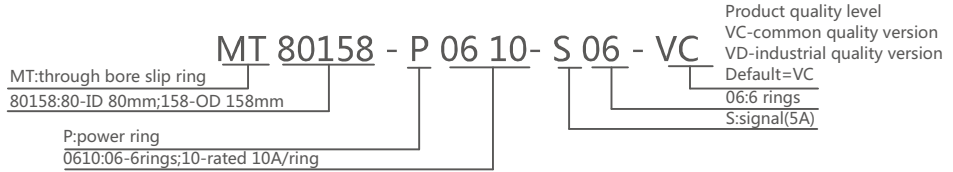
Technical support: technical@moflon.com

MT80158 Series

MT80158 series provides a 80mm through-bore for routing of hydraulic or pneumatic lines or hydraulic or pneumatic rotating shaft installation, and a compact 158mm outside diameter, features long life, fiber brush contact technology for ultimate performance in many challenging applications. MT80158 series are standard, off-the-shelf products, Color-coded lead wires are used on both the stator and rotor for simplified electrical connections. It can transmit signal(2A), 10A, multiple 10A current when 360° degree free rotating.



Part# Explanation



Part# List

MT80158 Series Parts# List							
Part#	10A	Signal or 5A	Length-L (mm)	Part#	10A	Signal or 5A	Length-L (mm)
MT80158-S02	0	2	45.6	MT80158-S36	0	36	172
MT80158-P0210	2	0	45.6	MT80158-P0610-S30	6	30	172
MT80158-S03	0	3	49.2	MT80158-P1210-S24	12	24	172
MT80158-P0310	3	0	49.2	MT80158-P3610	36	0	172
MT80158-S06	0	6	60	MT80158-S42	0	42	193.6
MT80158-P0210-S04	2	4	60	MT80158-P0610-S36	6	36	193.6
MT80158-P0410-S02	4	2	60	MT80158-P1210-S30	12	30	193.6
MT80158-P0610	6	0	60	MT80158-S48	0	48	215.2
MT80158-S12	0	12	81.6	MT80158-P0610-S42	6	42	215.2
MT80158-P0210-S10	2	10	81.6	MT80158-P0910-S39	9	39	215.2
MT80158-P0310-S09	3	9	81.6	MT80158-P1210-S36	12	36	215.2
MT80158-P0610-S06	6	6	81.6	MT80158-P1810-S30	18	30	215.2
MT80158-P0810-S04	8	4	81.6	MT80158-P2410-S24	24	24	215.2
MT80158-P1010-S02	10	2	81.6	MT80158-S60	0	60	270
MT80158-P1210	12	0	81.6	MT80158-P0610-S54	6	54	270
MT80158-S18	0	18	103.2	MT80158-P0910-S51	9	51	270
MT80158-P0210-S16	2	16	103.2	MT80158-P1210-S48	12	48	270
MT80158-P0410-S14	4	14	103.2	MT80158-S72	0	72	317.2
MT80158-P0610-S12	6	12	103.2	MT80158-P0610-S66	6	66	317.2
MT80158-P0810-S10	8	10	103.2	MT80158-P1210-S60	12	60	317.2
MT80158-P1010-S08	10	8	103.2	MT80158-P2410-S48	24	48	317.2
MT80158-P1210-S06	12	6	103.2	MT80158-P3610-S36	36	36	317.2
MT80158-P1410-S04	14	4	103.2	MT80158-S84	0	84	360.4
MT80158-P1610-S02	16	2	103.2	MT80158-P1210-S72	12	72	360.4
MT80158-S24	0	24	124.8	MT80158-P2410-S60	24	60	360.4
MT80158-P0410-S20	4	20	124.8	MT80158-P3610-S48	36	48	360.4
MT80158-P0610-S18	6	18	124.8	MT80158-S96	0	96	407.6
MT80158-P1210-S12	12	12	124.8	MT80158-P1210-S84	12	84	407.6
MT80158-P1810-S06	18	6	124.8	MT80158-P2410-S72	24	72	407.6
MT80158-P2410	24	0	124.8	MT80158-P3610-S60	36	60	407.6
MT80158-S30	0	30	146.4	MT80158-P4210-S54	42	54	407.6
MT80158-P0610-S24	6	24	146.4	MT80158-S108	0	108	450.8
MT80158-P1210-S18	12	18	146.4	MT80158-P1210-S96	12	96	450.8
MT80158-P1810-S12	18	12	146.4	MT80158-P2410-S84	24	84	450.8
MT80158-P2410-S06	24	6	146.4	MT80158-P3610-S72	36	72	450.8
MT80158-P3010	30	0	146.4	MT80158-P4810-S60	48	60	450.8

Note: N channels 10A rings parallel can be used as 1 channel N*10A current. For example: 2 rings 10A parallel could be used as 1 wires 20A. 10A,5A (signal) can combine freely in any way.It can be customized based on standard slip ring,please contact customer service for more details.

Specifications

Electrical Data		
Parameter	Value	
	Power	Signal
Rated Voltage	0~690VAC/VDC	0~440VAC/VDC
Insulation Resistance	≥1000MΩ/1000VDC	≥1000MΩ/500VDC
Lead Wires	AWG16#Teflon	AWG22#Teflon
Lead Length	Standard 300mm(adjustable)	
Insulation Strength	1000VAC@50Hz , 60s	
Electrical Noise	<0.01Ω	
Mechanical Data		
Parameter	Value	
Working Life	See Product Quality Level Table	
Rotating Speed	See Product Quality Level Table	
Working temperature	-30°C~80°C	
Operating Humidity	0~85% RH	
Contact Material	See Product Quality Level Table	
Housing Material	Aluminium Alloy	
Torque	0.1N.m ; +0.03N.m/6rings	
Protection grade	IP51	

Product Quality Level Table

Products Level Code	Max Rotating Speed	Working Life	Contact Material
VC	150RPM	10 Million Revs	Precious Metal
VD	400RPM	30 Million Revs	Gold-plated
VH	800RPM	80 Million Revs	Gold-Gold

Lead Wires Color Code

Ring	1	2	3	4	5	6	7	8	9	10	11	12
Color	BLK	RED	YEL	GRN	BLU	WHT	BLK	RED	YEL	GRN	BLU	WHT

(6 wires for 1 group color, from 7-12, repeat the same color as 1...6, indicated with number code pipe)

Options For Custom Slip Ring

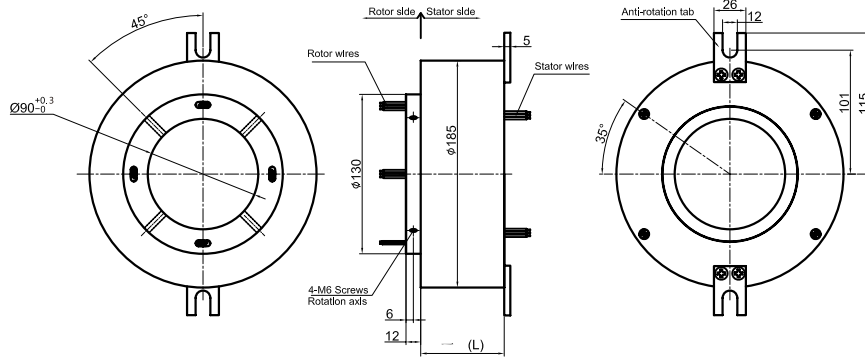
Note: Below special demands can be customized. According, the delivery date will be extended 3 to 15 days; also the cost will be increased 30% to 50%. Most of our basic parts are standard and modular, which can save the cost and lead time.

- ① Cable exit way and cable length can be customized for both rotor and stator.
- ② Because of the structure limitation, length/height/OD can be customized on your request.
- ③ Support current or signal up to 200 rings.
- ④ Aviation plug, terminal and heat-shrink tube are optional.
- ⑤ Hybrid slip ring for Yaskawa/Panasonic/Siemens servo control signal, power line and encoder line.
- ⑥ Support mixed high speed data transmission (including Ethernet, USB, RS232, RS485, Profibus, CanBUS, CANOPEN, DeviceNET, CC-LINK, ProfiNET, EtherCAT, etc.)
- ⑦ Can combine temperature control signal with thermocouple signal.
- ⑧ Special environment can be customized, such as quakeproof, high temperature, etc.
- ⑨ Hybrid Pneumatic/hydraulic and electric slip ring can be mixed.
- ⑩ High temperature can up to 500 degrees.
- ⑪ High pressure can up to 110KV
- ⑫ Rotating speed can up to 10000RPM
- ⑬ Maximum current can up to 5000 amperes.
- ⑭ Military grade
- ⑮ Optional for underwater IP65, IP68.
- ⑯ Optional for stainless steel housing

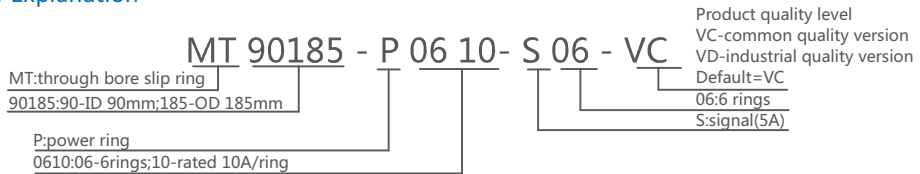
Technical support: technical@moflon.com

MT90185 Series

MT90185 series provides a 90mm through-bore for routing of hydraulic or pneumatic lines or hydraulic or pneumatic rotating shaft installation, and a compact 185mm outside diameter, features long life, fiber brush contact technology for ultimate performance in many challenging applications. MT90185 series are standard, off-the-shelf products, Color-coded lead wires are used on both the stator and rotor for simplified electrical connections. It can transmit signal(2A), 10A, multiple 10A current when 360° degree free rotating.



Part# Explanation



Part# List

MT90185 Series Parts# List							
Part#	10A	Signal or 5A	Length-L (mm)	Part#	10A	Signal or 5A	Length-L (mm)
MT90185-S02	0	2	50	MT90185-S36	0	36	190
MT90185-P0210	2	0	50	MT90185-P0610-S30	6	30	190
MT90185-S03	0	3	54	MT90185-P1210-S24	12	24	190
MT90185-P0310	3	0	54	MT90185-P3610	36	0	190
MT90185-S06	0	6	66	MT90185-S42	0	42	226
MT90185-P0210-S04	2	4	66	MT90185-P0610-S36	6	36	226
MT90185-P0410-S02	4	2	66	MT90185-P1210-S30	12	30	226
MT90185-P0610	6	0	66	MT90185-S48	0	48	250
MT90185-S12	0	12	90	MT90185-P0610-S42	6	42	250
MT90185-P0210-S10	2	10	90	MT90185-P0910-S39	9	39	250
MT90185-P0310-S09	3	9	90	MT90185-P1210-S36	12	36	250
MT90185-P0610-S06	6	6	90	MT90185-P1810-S30	18	30	250
MT90185-P0810-S04	8	4	90	MT90185-P2410-S24	24	24	250
MT90185-P1010-S02	10	2	90	MT90185-S60	0	60	298
MT90185-P1210	12	0	90	MT90185-P0610-S54	6	54	298
MT90185-S18	0	18	114	MT90185-P0910-S51	9	51	298
MT90185-P0210-S16	2	16	114	MT90185-P1210-S48	12	48	298
MT90185-P0410-S14	4	14	114	MT90185-S72	0	72	350
MT90185-P0610-S12	6	12	114	MT90185-P0610-S66	6	66	350
MT90185-P0810-S10	8	10	114	MT90185-P1210-S60	12	60	350
MT90185-P1010-S08	10	8	114	MT90185-P2410-S48	24	48	350
MT90185-P1210-S06	12	6	114	MT90185-P3610-S36	36	36	350
MT90185-P1410-S04	14	4	114	MT90185-S84	0	84	398
MT90185-P1610-S02	16	2	114	MT90185-P1210-S72	12	72	398
MT90185-S24	0	24	138	MT90185-P2410-S60	24	60	398
MT90185-P0410-S20	4	20	138	MT90185-P3610-S48	36	48	398
MT90185-P0610-S18	6	18	138	MT90185-S96	0	96	450
MT90185-P1210-S12	12	12	138	MT90185-P1210-S84	12	84	450
MT90185-P1810-S06	18	6	138	MT90185-P2410-S72	24	72	450
MT90185-P2410	24	0	138	MT90185-P3610-S60	36	60	450
MT90185-S30	0	30	162	MT90185-P4210-S54	42	54	450
MT90185-P0610-S24	6	24	162	MT90185-S108	0	108	498
MT90185-P1210-S18	12	18	162	MT90185-P1210-S96	12	96	498
MT90185-P1810-S12	18	12	162	MT90185-P2410-S84	24	84	498
MT90185-P2410-S06	24	6	162	MT90185-P3610-S72	36	72	498
MT90185-P3010	30	0	162	MT90185-P4810-S60	48	60	498

Note: N channels 10A rings parallel can be used as 1 channel N*10A current. For example: 2 rings 10A parallel could be used as 1 wires 20A. 10A,5A (signal) can combine freely in any way.It can be customized based on standard slip ring,please contact customer service for more detmalls.

Specifications

Electrical Data		
Parameter	Value	
	Power	Signal
Rated Voltage	0~690VAC/VDC	0~440VAC/VDC
Insulation Resistance	≥1000MΩ/1000VDC	≥1000MΩ/500VDC
Lead Wires	AWG16#Teflon	AWG22#Teflon
Lead Length	Standard 300mm(adjustable)	
Insulation Strength	1000VAC@50Hz , 60s	
Electrical Noise	<0.01Ω	
Mechanical Data		
Parameter	Value	
Working Life	See Product Quality Level Table	
Rotating Speed	See Product Quality Level Table	
Working Temperature	-30°C~80°C	
Operating Humidity	0~85% RH	
Contact Material	See Product Quality Level Table	
Housing Material	Aluminium Alloy	
Torque	0.1N.m ; +0.03N.m/6rings	
Protection Grade	IP51	

Product Quality Level Table

Products Level Code	Max Rotating Speed	Working Life	Contact Material
VC	150RPM	10 Million Revs	Precious Metal
VD	400RPM	30 Million Revs	Gold-plated
VH	800RPM	80 Million Revs	Gold-Gold

Lead Wires Color Code

Ring	1	2	3	4	5	6	7	8	9	10	11	12
Color	BLK	RED	YEL	GRN	BLU	WHT	BLK	RED	YEL	GRN	BLU	WHT

(6 wires for 1 group color, from 7-12, repeat the same color as 1...6, indicated with number code pipe)

Options For Custom Slip Ring

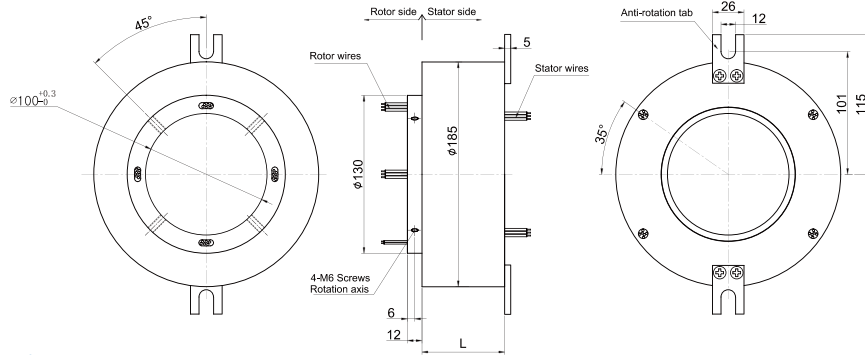
Note: Below special demands can be customized. According, the delivery date will be extended 3 to 15 days; also the cost will be increased 30% to 50%. Most of our basic parts are standard and modular, which can save the cost and lead time.

- ① Cable exit way and cable length can be customized for both rotor and stator.
- ② Because of the structure limitation, length/height/OD can be customized on your request.
- ③ Support current or signal up to 200 rings.
- ④ Aviation plug, terminal and heat-shrink tube are optional.
- ⑤ Hybrid slip ring for Yaskawa/Panasonic/Siemens servo control signal, power line and encoder line.
- ⑥ Support mixed high speed data transmission (including Ethernet, USB, RS232, RS485, Profibus, CanBUS, CANOPEN, DeviceNET, CC-LINK, ProfiNET, EtherCAT, etc.)
- ⑦ Can combine temperature control signal with thermocouple signal.
- ⑧ Special environment can be customized, such as quakeproof, high temperature, etc.
- ⑨ Hybrid Pneumatic/hydraulic and electric slip ring can be mixed.
- ⑩ High temperature can up to 500 degrees.
- ⑪ High pressure can up to 110KV
- ⑫ Rotating speed can up to 10000RPM
- ⑬ Maximum current can up to 5000 amperes.
- ⑭ Military grade
- ⑮ Optional for underwater IP65, IP68.
- ⑯ Optional for stainless steel housing

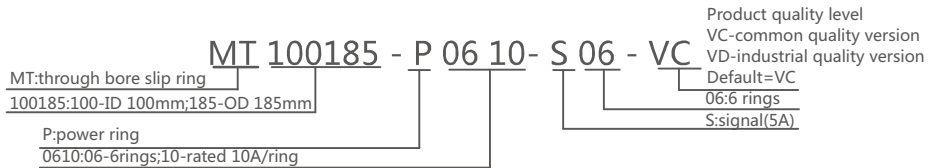
Technical support: technical@moflon.com

MT100185 Series

MT100185 series provides a 100mm through-bore for routing of hydraulic or pneumatic lines or hydraulic or pneumatic rotating shaft installation, and a compact 185mm outside diameter, features long life, fiber brush contact technology for ultimate performance in many challenging applications. MT100185 series are standard, off-the-shelf products, Color-coded lead wires are used on both the stator and rotor for simplified electrical connections. It can transmit signal(2A), 10A, multiple 10A current when 360° degree free rotating.



Part# Explanation



Part# List

MT100185 Series Parts# List							
Part#	10A	Signal or 5A	Length-L (mm)	Part#	10A	Signal or 5A	Length-L (mm)
MT100185-S02	0	2	50	MT100185-S36	0	36	190
MT100185-P0210	2	0	50	MT100185-P0610-S30	6	30	190
MT100185-S03	0	3	54	MT100185-P1210-S24	12	24	190
MT100185-P0310	3	0	54	MT100185-P3610	36	0	190
MT100185-S06	0	6	66	MT100185-S42	0	42	226
MT100185-P0210-S04	2	4	66	MT100185-P0610-S36	6	36	226
MT100185-P0410-S02	4	2	66	MT100185-P1210-S30	12	30	226
MT100185-P0610	6	0	66	MT100185-S48	0	48	250
MT100185-S12	0	12	90	MT100185-P0610-S42	6	42	250
MT100185-P0210-S10	2	10	90	MT100185-P0910-S39	9	39	250
MT100185-P0310-S09	3	9	90	MT100185-P1210-S36	12	36	250
MT100185-P0610-S06	6	6	90	MT100185-P1810-S30	18	30	250
MT100185-P0810-S04	8	4	90	MT100185-P2410-S24	24	24	250
MT100185-P1010-S02	10	2	90	MT100185-S60	0	60	298
MT100185-P1210	12	0	90	MT100185-P0610-S54	6	54	298
MT100185-S18	0	18	114	MT100185-P0910-S51	9	51	298
MT100185-P0210-S16	2	16	114	MT100185-P1210-S48	12	48	298
MT100185-P0410-S14	4	14	114	MT100185-S72	0	72	350
MT100185-P0610-S12	6	12	114	MT100185-P0610-S66	6	66	350
MT100185-P0810-S10	8	10	114	MT100185-P1210-S60	12	60	350
MT100185-P1010-S08	10	8	114	MT100185-P2410-S48	24	48	350
MT100185-P1210-S06	12	6	114	MT100185-P3610-S36	36	36	350
MT100185-P1410-S04	14	4	114	MT100185-S84	0	84	398
MT100185-P1610-S02	16	2	114	MT100185-P1210-S72	12	72	398
MT100185-S24	0	24	138	MT100185-P2410-S60	24	60	398
MT100185-P0410-S20	4	20	138	MT100185-P3610-S48	36	48	398
MT100185-P0610-S18	6	18	138	MT100185-S96	0	96	450
MT100185-P1210-S12	12	12	138	MT100185-P1210-S84	12	84	450
MT100185-P1810-S06	18	6	138	MT100185-P2410-S72	24	72	450
MT100185-P2410	24	0	138	MT100185-P3610-S60	36	60	450
MT100185-S30	0	30	162	MT100185-P4210-S54	42	54	450
MT100185-P0610-S24	6	24	162	MT100185-S108	0	108	498
MT100185-P1210-S18	12	18	162	MT100185-P1210-S96	12	96	498
MT100185-P1810-S12	18	12	162	MT100185-P2410-S84	24	84	498
MT100185-P2410-S06	24	6	162	MT100185-P3610-S72	36	72	498
MT100185-P3010	30	0	162	MT100185-P4810-S60	48	60	498

Note: N channels 10A rings parallel can be used as 1 channel N*10A current. For example: 2 rings 10A parallel could be used as 1 wires 20A. 10A, 5A (signal) can combine freely in any way. It can be customized based on standard slip ring, please contact customer service for more details.

Specifications

Electrical Data		
Parameter	Value	
	Power	Signal
Rated Voltage	0~690VAC/VDC	0~440VAC/VDC
Insulation Resistance	≥1000MΩ/1000VDC	≥1000MΩ/500VDC
Lead Wires	AWG16#Teflon	AWG22#Teflon
Lead Length	Standard 300mm(adjustable)	
Insulation Strength	1000VAC@50Hz , 60s	
Electrical Noise	<0.01Ω	
Mechanical Data		
Parameter	Value	
Working Life	See Product Quality Level Table	
Rotating Speed	See Product Quality Level Table	
Working Temperature	-30°C~80°C	
Operating Humidity	0~85% RH	
Contact Material	See Product Quality Level Table	
Housing Material	Aluminium Alloy	
Torque	0.1N.m ; +0.03N.m/6rings	
Protection Grade	IP51	

Product Quality Level Table

Products Level Code	Max Rotating Speed	Working Life	Contact Material
VC	150RPM	10 Million Revs	Precious Metal
VD	400RPM	30 Million Revs	Gold-plated
VH	800RPM	80 Million Revs	Gold-Gold

Lead Wires Color Code

Ring	1	2	3	4	5	6	7	8	9	10	11	12
Color	BLK	RED	YEL	GRN	BLU	WHT	BLK	RED	YEL	GRN	BLU	WHT

(6 wires for 1 group color, from 7-12, repeat the same color as 1...6, indicated with number code pipe)

Options For Custom Slip Ring

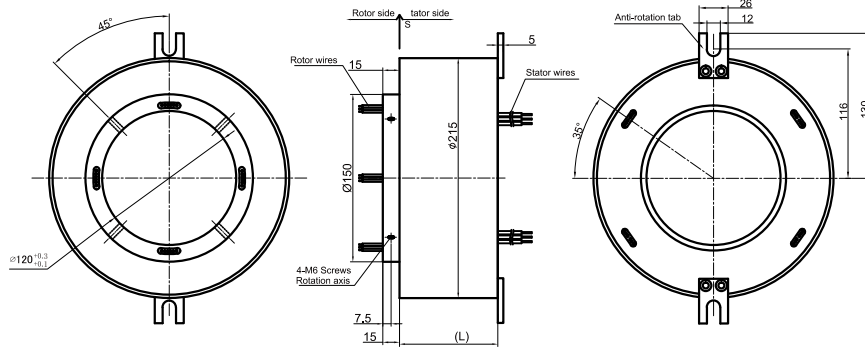
Note: Below special demands can be customized. According, the delivery date will be extended 3 to 15 days; also the cost will be increased 30% to 50%. Most of our basic parts are standard and modular, which can save the cost and lead time.

- ① Cable exit way and cable length can be customized for both rotor and stator.
- ② Because of the structure limitation, length/height/OD can be customized on your request.
- ③ Support current or signal up to 200 rings.
- ④ Aviation plug, terminal and heat-shrink tube are optional.
- ⑤ Hybrid slip ring for Yaskawa/Panasonic/Siemens servo control signal, power line and encoder line.
- ⑥ Support mixed high speed data transmission (including Ethernet, USB, RS232, RS485, Profibus, CanBUS, CANOPEN, DeviceNET, CC-LINK, ProfiNET, EtherCAT, etc.)
- ⑦ Can combine temperature control signal with thermocouple signal.
- ⑧ Special environment can be customized, such as quakeproof, high temperature, etc.
- ⑨ Hybrid Pneumatic/hydraulic and electric slip ring can be mixed.
- ⑩ High temperature can up to 500 degrees.
- ⑪ High pressure can up to 110KV
- ⑫ Rotating speed can up to 10000RPM
- ⑬ Maximum current can up to 5000 amperes.
- ⑭ Military grade
- ⑮ Optional for underwater IP65, IP68.
- ⑯ Optional for stainless steel housing

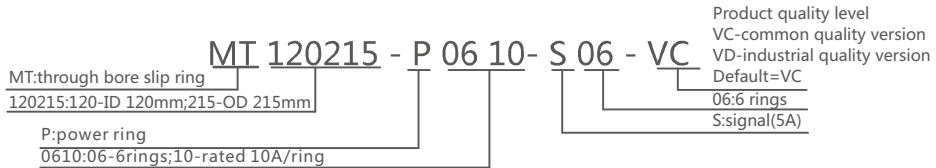
Technical support: technical@moflon.com

MT120215 Series

MT120185 series provides a 120mm through-bore for routing of hydraulic or pneumatic lines or hydraulic or pneumatic rotating shaft installation, and a compact 215mm outside diameter, features long life, fiber brush contact technology for ultimate performance in many challenging applications. MT120185 series are standard, off-the-shelf products, Color-coded lead wires are used on both the stator and rotor for simplified electrical connections. It can transmit signal(2A), 10A, multiple 10A current when 360° degree free rotating.



Part# Explanation



Part# List

MT120215 Series Parts# List							
Part#	10A	Signal or 5A	Length-L (mm)	Part#	10A	Signal or 5A	Length-L (mm)
MT120215-S02	0	2	68	MT120215-S36	0	36	243
MT120215-P0210	2	0	68	MT120215-P0610-S30	6	30	243
MT120215-S03	0	3	73	MT120215-P1210-S24	12	24	243
MT120215-P0310	3	0	73	MT120215-P3610	36	0	243
MT120215-S06	0	6	88	MT120215-S42	0	42	273
MT120215-P0210-S04	2	4	88	MT120215-P0610-S36	6	36	273
MT120215-P0410-S02	4	2	88	MT120215-P1210-S30	12	30	273
MT120215-P0610	6	0	88	MT120215-S48	0	48	303
MT120215-S12	0	12	118	MT120215-P0610-S42	6	42	303
MT120215-P0210-S10	2	10	118	MT120215-P0910-S39	9	39	303
MT120215-P0310-S09	3	9	118	MT120215-P1210-S36	12	36	303
MT120215-P0610-S06	6	6	118	MT120215-P1810-S30	18	30	303
MT120215-P0810-S04	8	4	118	MT120215-P2410-S24	24	24	303
MT120215-P1010-S02	10	2	118	MT120215-S60	0	60	363
MT120215-P1210	12	0	118	MT120215-P0610-S54	6	54	363
MT120215-S18	0	18	148	MT120215-P0910-S51	9	51	363
MT120215-P0210-S16	2	16	148	MT120215-P1210-S48	12	48	363
MT120215-P0410-S14	4	14	148	MT120215-S72	0	72	428
MT120215-P0610-S12	6	12	148	MT120215-P0610-S66	6	66	428
MT120215-P0810-S10	8	10	148	MT120215-P1210-S60	12	60	428
MT120215-P1010-S08	10	8	148	MT120215-P2410-S48	24	48	428
MT120215-P1210-S06	12	6	148	MT120215-P3610-S36	36	36	428
MT120215-P1410-S04	14	4	148	MT120215-S84	0	84	488
MT120215-P1610-S02	16	2	148	MT120215-P1210-S72	12	72	488
MT120215-S24	0	24	178	MT120215-P2410-S60	24	60	488
MT120215-P0410-S20	4	20	178	MT120215-P3610-S48	36	48	488
MT120215-P0610-S18	6	18	178	MT120215-S96	0	96	548
MT120215-P1210-S12	12	12	178	MT120215-P1210-S84	12	84	548
MT120215-P1810-S06	18	6	178	MT120215-P2410-S72	24	72	548
MT120215-P2410	24	0	178	MT120215-P3610-S60	36	60	548
MT120215-S30	0	30	208	MT120215-P4210-S54	42	54	548
MT120215-P0610-S24	6	24	208	MT120215-S108	0	108	613
MT120215-P1210-S18	12	18	208	MT120215-P1210-S96	12	96	613
MT120215-P1810-S12	18	12	208	MT120215-P2410-S84	24	84	613
MT120215-P2410-S06	24	6	208	MT120215-P3610-S72	36	72	613
MT120215-P3010	30	0	208	MT120215-P4810-S60	48	60	613

Note: N channels 10A rings parallel can be used as 1 channel N*10A current. For example: 2 rings 10A parallel could be used as 1 wires 20A. 10A,5A (signal) can combine freely in any way.It can be customized based on standard slip ring,please contact customer service for more details.

Specifications

Electrical Data		
Parameter	Value	
	Power	Signal
Rated Voltage	0~690VAC/VDC	0~440VAC/VDC
Insulation Resistance	≥1000MΩ/1000VDC	≥1000MΩ/500VDC
Lead Wires	AWG16#Teflon	AWG22#Teflon
Lead Length	Standard 300mm(adjustable)	
Insulation Strength	1000VAC@50Hz , 60s	
Electrical Noise	<0.01Ω	
Mechanical Data		
Parameter	Value	
Working Life	See Product Quality Level Table	
Rotating Speed	See Product Quality Level Table	
Working Temperature	-30°C~80°C	
Operating Humidity	0~85% RH	
Contact Material	See Product Quality Level Table	
Housing Material	Aluminium Alloy	
Torque	0.1N.m ; +0.03N.m/6rings	
Protection Grade	IP51	

Product Quality Level Table

Products Level Code	Max Rotating Speed	Working Life	Contact Material
VC	150RPM	10 Million Revs	Precious Metal
VD	250RPM	20 Million Revs	Gold-plated

Lead Wires Color Code

Ring	1	2	3	4	5	6	7	8	9	10	11	12
Color	BLK	RED	YEL	GRN	BLU	WHT	BLK	RED	YEL	GRN	BLU	WHT

(6 wires for 1 group color, from 7-12, repeat the same color as 1...6, indicated with number code pipe)

Options For Custom Slip Ring

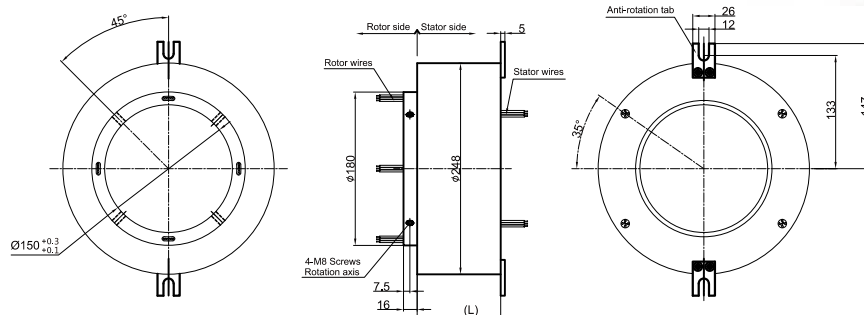
Note: Below special demands can be customized. According, the delivery date will be extended 3 to 15 days; also the cost will be increased 30% to 50%. Most of our basic parts are standard and modular, which can save the cost and lead time.

- ① Cable exit way and cable length can be customized for both rotor and stator.
- ② Because of the structure limitation, length/height/OD can be customized on your request.
- ③ Support current or signal up to 200 rings.
- ④ Aviation plug, terminal and heat-shrink tube are optional.
- ⑤ Hybrid slip ring for Yaskawa/Panasonic/Siemens servo control signal, power line and encoder line.
- ⑥ Support mixed high speed data transmission (including Ethernet, USB, RS232, RS485, Profibus, CanBUS, CANOPEN, DeviceNET, CC-LINK, ProfiNET, EtherCAT, etc.)
- ⑦ Can combine temperature control signal with thermocouple signal.
- ⑧ Special environment can be customized, such as quakeproof, high temperature, etc.
- ⑨ Hybrid Pneumatic/hydraulic and electric slip ring can be mixed.
- ⑩ High temperature can up to 500 degrees.
- ⑪ High pressure can up to 110KV
- ⑫ Rotating speed can up to 10000RPM
- ⑬ Maximum current can up to 5000 amperes.
- ⑭ Military grade
- ⑮ Optional for underwater IP65, IP68.
- ⑯ Optional for stainless steel housing

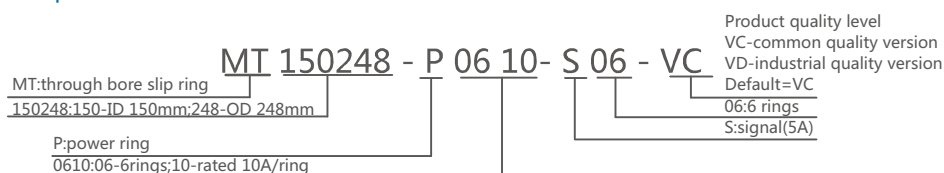
Technical support: technical@moflon.com

MT150248 Series

MT150248 series provides a 150mm through-bore for routing of hydraulic or pneumatic lines or hydraulic or pneumatic rotating shaft installation, and a compact 248mm outside diameter, features long life, fiber brush contact technology for ultimate performance in many challenging applications. MT150248 series are standard, off-the-shelf products, Color-coded lead wires are used on both the stator and rotor for simplified electrical connections. It can transmit signal(2A), 10A, multiple 10A current when 360° degree free rotating.



Part# Explanation



Part# List

MT150248 Series Parts# List							
Part#	10A	Signal or 5A	Length-L (mm)	Part#	10A	Signal or 5A	Length-L (mm)
MT150248-S02	0	2	74	MT150248-S36	0	36	284
MT150248-P0210	2	0	74	MT150248-P0610-S30	6	30	284
MT150248-S03	0	3	80	MT150248-P1210-S24	12	24	284
MT150248-P0310	3	0	80	MT150248-P3610	36	0	284
MT150248-S06	0	6	98	MT150248-S42	0	42	320
MT150248-P0210-S04	2	4	98	MT150248-P0610-S36	6	36	320
MT150248-P0410-S02	4	2	98	MT150248-P1210-S30	12	30	320
MT150248-P0610	6	0	98	MT150248-S48	0	48	356
MT150248-S12	0	12	134	MT150248-P0610-S42	6	42	356
MT150248-P0210-S10	2	10	134	MT150248-P0910-S39	9	39	356
MT150248-P0310-S09	3	9	134	MT150248-P1210-S36	12	36	356
MT150248-P0610-S06	6	6	134	MT150248-P1810-S30	18	30	356
MT150248-P0810-S04	8	4	134	MT150248-P2410-S24	24	24	356
MT150248-P1010-S02	10	2	134	MT150248-S60	0	60	428
MT150248-P1210	12	0	134	MT150248-P0610-S54	6	54	428
MT150248-S18	0	18	170	MT150248-P0910-S51	9	51	428
MT150248-P0210-S16	2	16	170	MT150248-P1210-S48	12	48	428
MT150248-P0410-S14	4	14	170	MT150248-S72	0	72	506
MT150248-P0610-S12	6	12	170	MT150248-P0610-S66	6	66	506
MT150248-P0810-S10	8	10	170	MT150248-P1210-S60	12	60	506
MT150248-P1010-S08	10	8	170	MT150248-P2410-S48	24	48	506
MT150248-P1210-S06	12	6	170	MT150248-P3610-S36	36	36	506
MT150248-P1410-S04	14	4	170	MT150248-S84	0	84	578
MT150248-P1610-S02	16	2	170	MT150248-P1210-S72	12	72	578
MT150248-S24	0	24	206	MT150248-P2410-S60	24	60	578
MT150248-P0410-S20	4	20	206	MT150248-P3610-S48	36	48	578
MT150248-P0610-S18	6	18	206	MT150248-S96	0	96	650
MT150248-P1210-S12	12	12	206	MT150248-P1210-S84	12	84	650
MT150248-P1810-S06	18	6	206	MT150248-P2410-S72	24	72	650
MT150248-P2410	24	0	206	MT150248-P3610-S60	36	60	650
MT150248-S30	0	30	242	MT150248-P4210-S54	42	54	650
MT150248-P0610-S24	6	24	242	MT150248-S108	0	108	728
MT150248-P1210-S18	12	18	242	MT150248-P1210-S96	12	96	728
MT150248-P1810-S12	18	12	242	MT150248-P2410-S84	24	84	728
MT150248-P2410-S06	24	6	242	MT150248-P3610-S72	36	72	728
MT150248-P3010	30	0	242	MT150248-P4810-S60	48	60	728

Note: N channels 10A rings parallel can be used as 1 channel N*10A current. For example: 2 rings 10A parallel could be used as 1 wires 20A. 10A,5A (signal) can combine freely in any way.It can be customized based on standard slip ring,please contact customer service for more detmalls.

Specifications

Electrical Data		
Parameter	Value	
	Power	Signal
Rated Voltage	0~690VAC/VDC	0~440VAC/VDC
Insulation Resistance	≥1000MΩ/1000VDC	≥1000MΩ/500VDC
Lead Wires	AWG16#Teflon	AWG22#Teflon
Lead Length	Standard 300mm(adjustable)	
Insulation Strength	1000VAC@50Hz , 60s	
Electrical Noise	<0.01Ω	
Mechanical Data		
Parameter	Value	
Working Life	See Product Quality Level Table	
Rotating Speed	See Product Quality Level Table	
Working Temperature	-30°C~80°C	
Operating Humidity	0~85% RH	
Contact Material	See Product Quality Level Table	
Housing Material	Aluminium Alloy	
Torque	0.1N.m ; +0.03N.m/6rings	
Protection Grade	IP51	

Product Quality Level Table

Products Level Code	Max Rotating Speed	Working Life	Contact Material
VC	150RPM	10 Million Revs	Precious Metal
VD	250RPM	20 Million Revs	Gold-plated

Lead Wires Color Code

Ring	1	2	3	4	5	6	7	8	9	10	11	12
Color	BLK	RED	YEL	GRN	BLU	WHT	BLK	RED	YEL	GRN	BLU	WHT

(6 wires for 1 group color, from 7-12, repeat the same color as 1...6, indicated with number code pipe)

Options For Custom Slip Ring

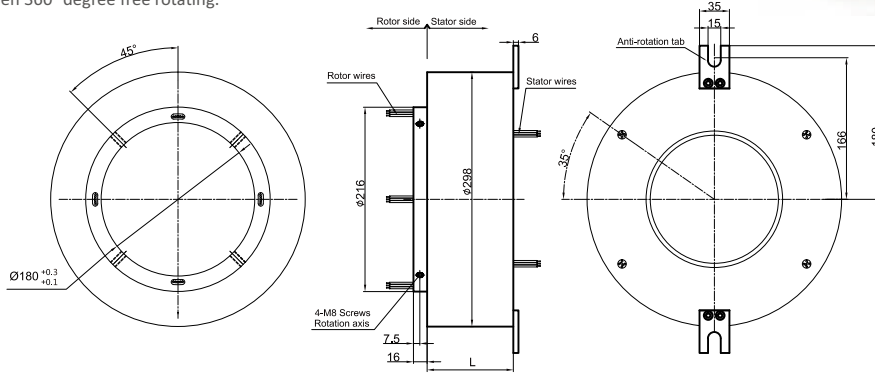
Note: Below special demands can be customized. According, the delivery date will be extended 3 to 15 days; also the cost will be increased 30% to 50%. Most of our basic parts are standard and modular, which can save the cost and lead time.

- ① Cable exit way and cable length can be customized for both rotor and stator.
- ② Because of the structure limitation, length/height/OD can be customized on your request.
- ③ Support current or signal up to 200 rings.
- ④ Aviation plug, terminal and heat-shrink tube are optional.
- ⑤ Hybrid slip ring for Yaskawa/Panasonic/Siemens servo control signal, power line and encoder line.
- ⑥ Support mixed high speed data transmission (including Ethernet, USB, RS232, RS485, Profibus, CanBUS, CANOPEN, DeviceNET, CC-LINK, ProfiNET, EtherCAT, etc.)
- ⑦ Can combine temperature control signal with thermocouple signal.
- ⑧ Special environment can be customized, such as quakeproof, high temperature, etc.
- ⑨ Hybrid Pneumatic/hydraulic and electric slip ring can be mixed.
- ⑩ High temperature can up to 500 degrees.
- ⑪ High pressure can up to 110KV
- ⑫ Rotating speed can up to 10000RPM
- ⑬ Maximum current can up to 5000 amperes.
- ⑭ Military grade
- ⑮ Optional for underwater IP65, IP68.
- ⑯ Optional for stainless steel housing

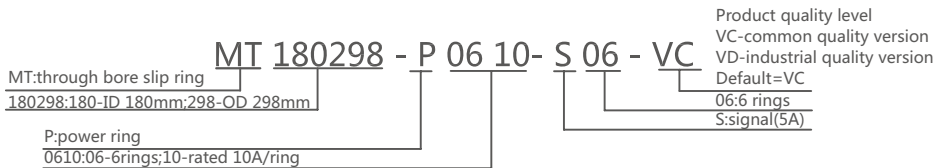
Technical support: technical@moflon.com

MT180298 Series

MT180298 series provides a 180mm through-bore for routing of hydraulic or pneumatic lines or hydraulic or pneumatic rotating shaft installation, and a compact 298mm outside diameter, features long life, fiber brush contact technology for ultimate performance in many challenging applications. MT180298 series are standard, off-the-shelf products, Color-coded lead wires are used on both the stator and rotor for simplified electrical connections. It can transmit signal(2A), 10A, multiple 10A current when 360° degree free rotating.



Part# Explanation



Part# List

MT180298 Series Parts# List							
Part#	10A	Signal or 5A	Length-L (mm)	Part#	10A	Signal or 5A	Length-L (mm)
MT180298-S02	0	2	77	MT180298-S36	0	36	287
MT180298-P0210	2	0	77	MT180298-P0610-S30	6	30	287
MT180298-S03	0	3	83	MT180298-P1210-S24	12	24	287
MT180298-P0310	3	0	83	MT180298-P3610	36	0	287
MT180298-S06	0	6	101	MT180298-S42	0	42	323
MT180298-P0210-S04	2	4	101	MT180298-P0610-S36	6	36	323
MT180298-P0410-S02	4	2	101	MT180298-P1210-S30	12	30	323
MT180298-P0610	6	0	101	MT180298-S48	0	48	359
MT180298-S12	0	12	137	MT180298-P0610-S42	6	42	359
MT180298-P0210-S10	2	10	137	MT180298-P0910-S39	9	39	359
MT180298-P0310-S09	3	9	137	MT180298-P1210-S36	12	36	359
MT180298-P0610-S06	6	6	137	MT180298-P1810-S30	18	30	359
MT180298-P0810-S04	8	4	137	MT180298-P2410-S24	24	24	359
MT180298-P1010-S02	10	2	137	MT180298-S60	0	60	431
MT180298-P1210	12	0	137	MT180298-P0610-S54	6	54	431
MT180298-S18	0	18	173	MT180298-P0910-S51	9	51	431
MT180298-P0210-S16	2	16	173	MT180298-P1210-S48	12	48	431
MT180298-P0410-S14	4	14	173	MT180298-S72	0	72	509
MT180298-P0610-S12	6	12	173	MT180298-P0610-S66	6	66	509
MT180298-P0810-S10	8	10	173	MT180298-P1210-S60	12	60	509
MT180298-P1010-S08	10	8	173	MT180298-P2410-S48	24	48	509
MT180298-P1210-S06	12	6	173	MT180298-P3610-S36	36	36	509
MT180298-P1410-S04	14	4	173	MT180298-S84	0	84	581
MT180298-P1610-S02	16	2	173	MT180298-P1210-S72	12	72	581
MT180298-S24	0	24	209	MT180298-P2410-S60	24	60	581
MT180298-P0410-S20	4	20	209	MT180298-P3610-S48	36	48	581
MT180298-P0610-S18	6	18	209	MT180298-S96	0	96	653
MT180298-P1210-S12	12	12	209	MT180298-P1210-S84	12	84	653
MT180298-P1810-S06	18	6	209	MT180298-P2410-S72	24	72	653
MT180298-P2410	24	0	209	MT180298-P3610-S60	36	60	653
MT180298-S30	0	30	245	MT180298-P4210-S54	42	54	653
MT180298-P0610-S24	6	24	245	MT180298-S108	0	108	731
MT180298-P1210-S18	12	18	245	MT180298-P1210-S96	12	96	731
MT180298-P1810-S12	18	12	245	MT180298-P2410-S84	24	84	731
MT180298-P2410-S06	24	6	245	MT180298-P3610-S72	36	72	731
MT180298-P3010	30	0	245	MT180298-P4810-S60	48	60	731

Note: N channels 10A rings parallel can be used as 1 channel N*10A current. For example: 2 rings 10A parallel could be used as 1 wires 20A. 10A,5A (signal) can combine freely in any way.It can be customized based on standard slip ring,please contact customer service for more details.

Specifications

Electrical Data		
Parameter	Value	
	Power	Signal
Rated Voltage	0~690VAC/VDC	0~440VAC/VDC
Insulation Resistance	≥1000MΩ/1000VDC	≥1000MΩ/500VDC
Lead Wires	AWG16#Teflon	AWG22#Teflon
Lead Length	Standard 300mm(adjustable)	
Insulation Strength	1000VAC@50Hz , 60s	
Electrical Noise	<0.01Ω	
Mechanical Data		
Parameter	Value	
Working Life	See Product Quality Level Table	
Rotating Speed	See Product Quality Level Table	
Working Temperature	-30°C~80°C	
Operating Humidity	0~85% RH	
Contact Material	See Product Quality Level Table	
Housing Material	Aluminium Alloy	
Torque	0.1N.m ; +0.03N.m/6rings	
Protection Grade	IP51	

Product Quality Level Table

Products Level Code	Max Rotating Speed	Working Life	Contact Material
VC	150RPM	10 Million Revs	Precious Metal
VD	250RPM	20 Million Revs	Gold-plated

Lead Wires Color Code

Ring	1	2	3	4	5	6	7	8	9	10	11	12
Color	BLK	RED	YEL	GRN	BLU	WHT	BLK	RED	YEL	GRN	BLU	WHT

(6 wires for 1 group color, from 7-12, repeat the same color as 1...6, indicated with number code pipe)

Options For Custom Slip Ring

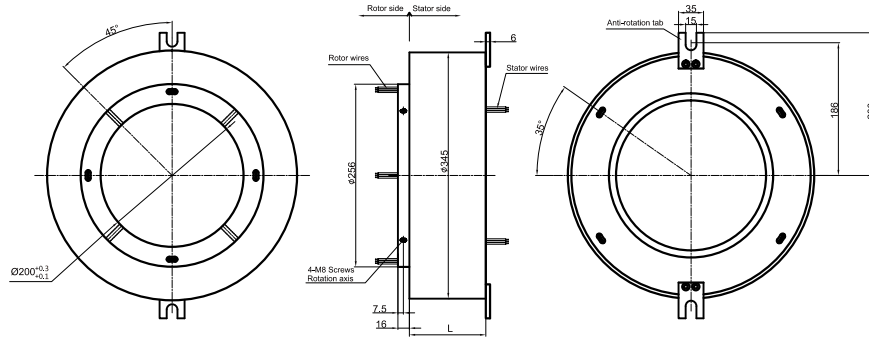
Note: Below special demands can be customized. According, the delivery date will be extended 3 to 15 days; also the cost will be increased 30% to 50%. Most of our basic parts are standard and modular, which can save the cost and lead time.

- ① Cable exit way and cable length can be customized for both rotor and stator.
- ② Because of the structure limitation, length/height/OD can be customized on your request.
- ③ Support current or signal up to 200 rings.
- ④ Aviation plug, terminal and heat-shrink tube are optional.
- ⑤ Hybrid slip ring for Yaskawa/Panasonic/Siemens servo control signal, power line and encoder line.
- ⑥ Support mixed high speed data transmission (including Ethernet, USB, RS232, RS485, Profibus, CanBUS, CANOPEN, DeviceNET, CC-LINK, ProfiNET, EtherCAT, etc.)
- ⑦ Can combine temperature control signal with thermocouple signal.
- ⑧ Special environment can be customized, such as quakeproof, high temperature, etc.
- ⑨ Hybrid Pneumatic/hydraulic and electric slip ring can be mixed.
- ⑩ High temperature can up to 500 degrees.
- ⑪ High pressure can up to 110KV
- ⑫ Rotating speed can up to 10000RPM
- ⑬ Maximum current can up to 5000 amperes.
- ⑭ Military grade
- ⑮ Optional for underwater IP65, IP68.
- ⑯ Optional for stainless steel housing

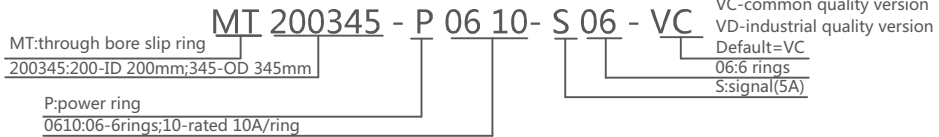
Technical support: technical@moflon.com

MT200345 Series

MT200345 series provides a 200mm through-bore for routing of hydraulic or pneumatic lines or hydraulic or pneumatic rotating shaft installation, and a compact 345mm outside diameter, features long life, fiber brush contact technology for ultimate performance in many challenging applications. MT200345 series are standard, off-the-shelf products, Color-coded lead wires are used on both the stator and rotor for simplified electrical connections. It can transmit signal(2A), 10A, multiple 10A current when 360° degree free rotating.



Part# Explanation



Part# List

MT200345 Series Parts# List							
Part#	10A	Signal or 5A	Length-L (mm)	Part#	10A	Signal or 5A	Length-L (mm)
MT200345-S02	0	2	83	MT200345-S36	0	36	293
MT200345-P0210	2	0	83	MT200345-P0610-S30	6	30	293
MT200345-S03	0	3	89	MT200345-P1210-S24	12	24	293
MT200345-P0310	3	0	89	MT200345-P3610	36	0	293
MT200345-S06	0	6	107	MT200345-S42	0	42	329
MT200345-P0210-S04	2	4	107	MT200345-P0610-S36	6	36	329
MT200345-P0410-S02	4	2	107	MT200345-P1210-S30	12	30	329
MT200345-P0610	6	0	107	MT200345-S48	0	48	365
MT200345-S12	0	12	143	MT200345-P0610-S42	6	42	365
MT200345-P0210-S10	2	10	143	MT200345-P0910-S39	9	39	365
MT200345-P0310-S09	3	9	143	MT200345-P1210-S36	12	36	365
MT200345-P0610-S06	6	6	143	MT200345-P1810-S30	18	30	365
MT200345-P0810-S04	8	4	143	MT200345-P2410-S24	24	24	365
MT200345-P1010-S02	10	2	143	MT200345-S60	0	60	437
MT200345-P1210	12	0	143	MT200345-P0610-S54	6	54	437
MT200345-S18	0	18	179	MT200345-P0910-S51	9	51	437
MT200345-P0210-S16	2	16	179	MT200345-P1210-S48	12	48	437
MT200345-P0410-S14	4	14	179	MT200345-S72	0	72	515
MT200345-P0610-S12	6	12	179	MT200345-P0610-S66	6	66	515
MT200345-P0810-S10	8	10	179	MT200345-P1210-S60	12	60	515
MT200345-P1010-S08	10	8	179	MT200345-P2410-S48	24	48	515
MT200345-P1210-S06	12	6	179	MT200345-P3610-S36	36	36	515
MT200345-P1410-S04	14	4	179	MT200345-S84	0	84	587
MT200345-P1610-S02	16	2	179	MT200345-P1210-S72	12	72	587
MT200345-S24	0	24	215	MT200345-P2410-S60	24	60	587
MT200345-P0410-S20	4	20	215	MT200345-P3610-S48	36	48	587
MT200345-P0610-S18	6	18	215	MT200345-S96	0	96	659
MT200345-P1210-S12	12	12	215	MT200345-P1210-S84	12	84	659
MT200345-P1810-S06	18	6	215	MT200345-P2410-S72	24	72	659
MT200345-P2410	24	0	215	MT200345-P3610-S60	36	60	659
MT200345-S30	0	30	251	MT200345-P4210-S54	42	54	659
MT200345-P0610-S24	6	24	251	MT200345-S108	0	108	737
MT200345-P1210-S18	12	18	251	MT200345-P1210-S96	12	96	737
MT200345-P1810-S12	18	12	251	MT200345-P2410-S84	24	84	737
MT200345-P2410-S06	24	6	251	MT200345-P3610-S72	36	72	737
MT200345-P3010	30	0	251	MT200345-P4810-S60	48	60	737

Note: N channels 10A rings parallel can be used as 1 channel N*10A current. For example: 2 rings 10A parallel could be used as 1 wires 20A. 10A,5A (signal) can combine freely in any way.It can be customized based on standard slip ring,please contact customer service for more detmails.

Specifications

Electrical Data		
Parameter	Value	
	Power	Signal
Rated Voltage	0~690VAC/VDC	0~440VAC/VDC
Insulation Resistance	≥1000MΩ/1000VDC	≥1000MΩ/500VDC
Lead Wires	AWG16#Teflon	AWG22#Teflon
Lead Length	Standard 300mm(adjustable)	
Insulation Strength	1000VAC@50Hz , 60s	
Electrical Noise	<0.01Ω	
Mechanical Data		
Parameter	Value	
Working Life	See Product Quality Level Table	
Rotating Speed	See Product Quality Level Table	
Working Temperature	-30°C~80°C	
Operating Humidity	0~85% RH	
Contact Material	See Product Quality Level Table	
Housing Material	Aluminium Alloy	
Torque	0.1N.m ; +0.03N.m/6rings	
Protection Grade	IP51	

Product Quality Level Table

Products Level Code	Max Rotating Speed	Working Life	Contact Material
VC	150RPM	10 Million Revs	Precious Metal
VD	250RPM	20 Million Revs	Gold-plated

Lead Wires Color Code

Ring	1	2	3	4	5	6	7	8	9	10	11	12
Color	BLK	RED	YEL	GRN	BLU	WHT	BLK	RED	YEL	GRN	BLU	WHT

(6 wires for 1 group color, from 7-12, repeat the same color as 1...6, indicated with number code pipe)

Options For Custom Slip Ring

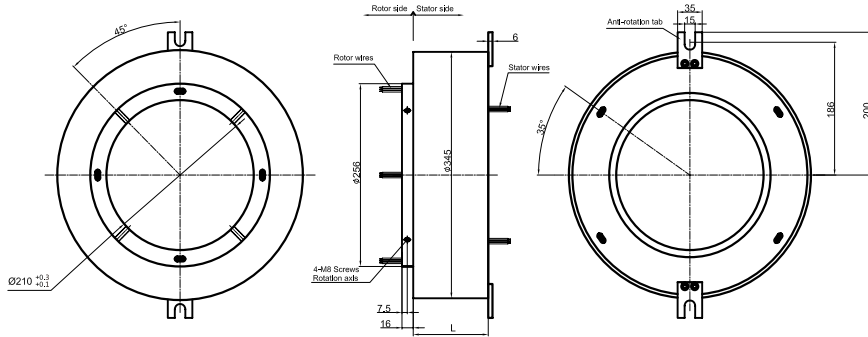
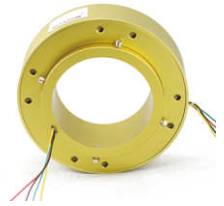
Note: Below special demands can be customized. According, the delivery date will be extended 3 to 15 days; also the cost will be increased 30% to 50%. Most of our basic parts are standard and modular, which can save the cost and lead time.

- ① Cable exit way and cable length can be customized for both rotor and stator.
- ② Because of the structure limitation, length/height/OD can be customized on your request.
- ③ Support current or signal up to 200 rings.
- ④ Aviation plug, terminal and heat-shrink tube are optional.
- ⑤ Hybrid slip ring for Yaskawa/Panasonic/Siemens servo control signal, power line and encoder line.
- ⑥ Support mixed high speed data transmission (including Ethernet, USB, RS232, RS485, Profibus, CanBUS, CANOPEN, DeviceNET, CC-LINK, ProfiNET, EtherCAT, etc.)
- ⑦ Can combine temperature control signal with thermocouple signal.
- ⑧ Special environment can be customized, such as quakeproof, high temperature, etc.
- ⑨ Hybrid Pneumatic/hydraulic and electric slip ring can be mixed.
- ⑩ High temperature can up to 500 degrees.
- ⑪ High pressure can up to 110KV
- ⑫ Rotating speed can up to 10000RPM
- ⑬ Maximum current can up to 5000 amperes.
- ⑭ Military grade
- ⑮ Optional for underwater IP65, IP68.
- ⑯ Optional for stainless steel housing

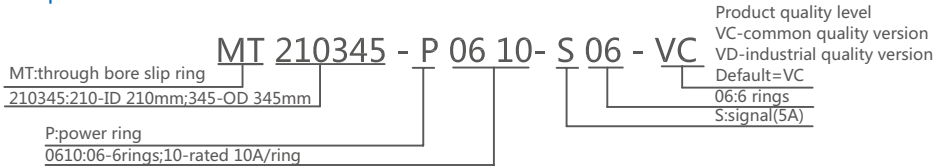
Technical support: technical@moflon.com

MT210345 Series

MT210345 series provides a 210mm through-bore for routing of hydraulic or pneumatic lines or hydraulic or pneumatic rotating shaft installation, and a compact 345mm outside diameter, features long life, fiber brush contact technology for ultimate performance in many challenging applications. MT210345 series are standard, off-the-shelf products, Color-coded lead wires are used on both the stator and rotor for simplified electrical connections. It can transmit signal(2A), 10A, multiple 10A current when 360° degree free rotating.



Part# Explanation



Part# List

MT210345 Series Parts# List							
Part#	10A	Signal or 5A	Length-L (mm)	Part#	10A	Signal or 5A	Length-L (mm)
MT210345-S02	0	2	83	MT210345-S36	0	36	293
MT210345-P0210	2	0	83	MT210345-P0610-S30	6	30	293
MT210345-S03	0	3	89	MT210345-P1210-S24	12	24	293
MT210345-P0310	3	0	89	MT210345-P3610	36	0	293
MT210345-S06	0	6	107	MT210345-S42	0	42	329
MT210345-P0210-S04	2	4	107	MT210345-P0610-S36	6	36	329
MT210345-P0410-S02	4	2	107	MT210345-P1210-S30	12	30	329
MT210345-P0610	6	0	107	MT210345-S48	0	48	365
MT210345-S12	0	12	143	MT210345-P0610-S42	6	42	365
MT210345-P0210-S10	2	10	143	MT210345-P0910-S39	9	39	365
MT210345-P0310-S09	3	9	143	MT210345-P1210-S36	12	36	365
MT210345-P0610-S06	6	6	143	MT210345-P1810-S30	18	30	365
MT210345-P0810-S04	8	4	143	MT210345-P2410-S24	24	24	365
MT210345-P1010-S02	10	2	143	MT210345-S60	0	60	437
MT210345-P1210	12	0	143	MT210345-P0610-S54	6	54	437
MT210345-S18	0	18	179	MT210345-P0910-S51	9	51	437
MT210345-P0210-S16	2	16	179	MT210345-P1210-S48	12	48	437
MT210345-P0410-S14	4	14	179	MT210345-S72	0	72	515
MT210345-P0610-S12	6	12	179	MT210345-P0610-S66	6	66	515
MT210345-P0810-S10	8	10	179	MT210345-P1210-S60	12	60	515
MT210345-P1010-S08	10	8	179	MT210345-P2410-S48	24	48	515
MT210345-P1210-S06	12	6	179	MT210345-P3610-S36	36	36	515
MT210345-P1410-S04	14	4	179	MT210345-S84	0	84	587
MT210345-P1610-S02	16	2	179	MT210345-P1210-S72	12	72	587
MT210345-S24	0	24	215	MT210345-P2410-S60	24	60	587
MT210345-P0410-S20	4	20	215	MT210345-P3610-S48	36	48	587
MT210345-P0610-S18	6	18	215	MT210345-S96	0	96	659
MT210345-P1210-S12	12	12	215	MT210345-P1210-S84	12	84	659
MT210345-P1810-S06	18	6	215	MT210345-P2410-S72	24	72	659
MT210345-P2410	24	0	215	MT210345-P3610-S60	36	60	659
MT210345-S30	0	30	251	MT210345-P4210-S54	42	54	659
MT210345-P0610-S24	6	24	251	MT210345-S108	0	108	737
MT210345-P1210-S18	12	18	251	MT210345-P1210-S96	12	96	737
MT210345-P1810-S12	18	12	251	MT210345-P2410-S84	24	84	737
MT210345-P2410-S06	24	6	251	MT210345-P3610-S72	36	72	737
MT210345-P3010	30	0	251	MT210345-P4810-S60	48	60	737

Note: N channels 10A rings parallel can be used as 1 channel N*10A current. For example: 2 rings 10A parallel could be used as 1 wires 20A. 10A,5A (signal) can combine freely in any way.It can be customized based on standard slip ring,please contact customer service for more details.

Specifications

Electrical Data		
Parameter	Value	
	Power	Signal
Rated Voltage	0~690VAC/VDC	0~440VAC/VDC
Insulation Resistance	≥1000MΩ/1000VDC	≥1000MΩ/500VDC
Lead Wires	AWG16#Teflon	AWG22#Teflon
Lead Length	Standard 300mm(adjustable)	
Insulation Strength	1000VAC@50Hz , 60s	
Electrical Noise	<0.01Ω	
Mechanical Data		
Parameter	Value	
Working Life	See Product Quality Level Table	
Rotating Speed	See Product Quality Level Table	
Working Temperature	-30°C~80°C	
Operating Humidity	0~85% RH	
Contact Material	See Product Quality Level Table	
Housing Material	Aluminium Alloy	
Torque	0.1N.m ; +0.03N.m/6rings	
Protection Grade	IP51	

Product Quality Level Table

Products Level Code	Max Rotating Speed	Working Life	Contact Material
VC	150RPM	10 Million Revs	Precious Metal
VD	250RPM	20 Million Revs	Gold-plated

Lead Wires Color Code

Ring	1	2	3	4	5	6	7	8	9	10	11	12
Color	BLK	RED	YEL	GRN	BLU	WHT	BLK	RED	YEL	GRN	BLU	WHT

(6 wires for 1 group color, from 7-12, repeat the same color as 1...6, indicated with number code pipe)

Options For Custom Slip Ring

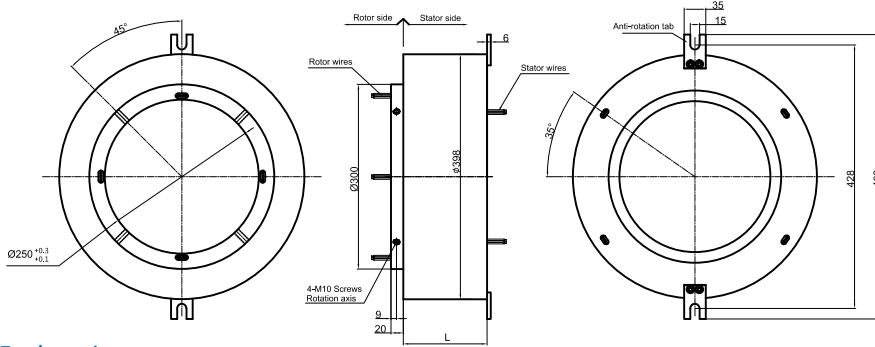
Note: Below special demands can be customized. According, the delivery date will be extended 3 to 15 days; also the cost will be increased 30% to 50%. Most of our basic parts are standard and modular, which can save the cost and lead time.

- ① Cable exit way and cable length can be customized for both rotor and stator.
- ② Because of the structure limitation, length/height/OD can be customized on your request.
- ③ Support current or signal up to 200 rings.
- ④ Aviation plug, terminal and heat-shrink tube are optional.
- ⑤ Hybrid slip ring for Yaskawa/Panasonic/Siemens servo control signal, power line and encoder line.
- ⑥ Support mixed high speed data transmission (including Ethernet, USB, RS232, RS485, Profibus, CanBUS, CANOPEN, DeviceNET, CC-LINK, ProfiNET, EtherCAT, etc.)
- ⑦ Can combine temperature control signal with thermocouple signal.
- ⑧ Special environment can be customized, such as quakeproof, high temperature, etc.
- ⑨ Hybrid Pneumatic/hydraulic and electric slip ring can be mixed.
- ⑩ High temperature can up to 500 degrees.
- ⑪ High pressure can up to 110KV
- ⑫ Rotating speed can up to 10000RPM
- ⑬ Maximum current can up to 5000 amperes.
- ⑭ Military grade
- ⑮ Optional for underwater IP65, IP68.
- ⑯ Optional for stainless steel housing

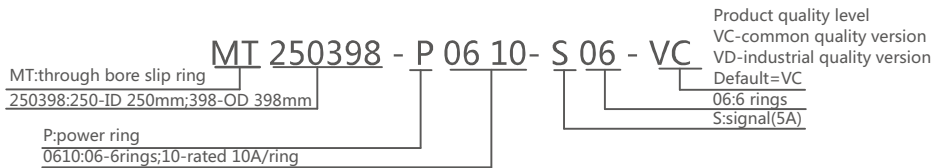
Technical support: technical@moflon.com

MT250398 Series

MT250398 series provides a 250mm through-bore for routing of hydraulic or pneumatic lines or hydraulic or pneumatic rotating shaft installation, and a compact 398mm outside diameter, features long life, fiber brush contact technology for ultimate performance in many challenging applications. MT250398 series are standard, off-the-shelf products, Color-coded lead wires are used on both the stator and rotor for simplified electrical connections. It can transmit signal(2A), 10A, multiple 10A current when 360° degree free rotating.



Part# Explanation



Part# List

MT250398 Series Parts# List							
Part#	10A	Signal or 5A	Length-L (mm)	Part#	10A	Signal or 5A	Length-L (mm)
MT250398-S02	0	2	104	MT250398-S36	0	36	382
MT250398-P0210	2	0	104	MT250398-P0610-S30	6	30	382
MT250398-S03	0	3	112	MT250398-P1210-S24	12	24	382
MT250398-P0310	3	0	112	MT250398-P3610	36	0	382
MT250398-S06	0	6	136	MT250398-S42	0	42	430
MT250398-P0210-S04	2	4	136	MT250398-P0610-S36	6	36	430
MT250398-P0410-S02	4	2	136	MT250398-P1210-S30	12	30	430
MT250398-P0610	6	0	136	MT250398-S48	0	48	478
MT250398-S12	0	12	184	MT250398-P0610-S42	6	42	478
MT250398-P0210-S10	2	10	184	MT250398-P0910-S39	9	39	478
MT250398-P0310-S09	3	9	184	MT250398-P1210-S36	12	36	478
MT250398-P0610-S06	6	6	184	MT250398-P1810-S30	18	30	478
MT250398-P0810-S04	8	4	184	MT250398-P2410-S24	24	24	478
MT250398-P1010-S02	10	2	184	MT250398-S60	0	60	577
MT250398-P1210	12	0	184	MT250398-P0610-S54	6	54	577
MT250398-S18	0	18	232	MT250398-P0910-S51	9	51	577
MT250398-P0210-S16	2	16	232	MT250398-P1210-S48	12	48	577
MT250398-P0410-S14	4	14	232	MT250398-S72	0	72	676
MT250398-P0610-S12	6	12	232	MT250398-P0610-S66	6	66	676
MT250398-P0810-S10	8	10	232	MT250398-P1210-S60	12	60	676
MT250398-P1010-S08	10	8	232	MT250398-P2410-S48	24	48	676
MT250398-P1210-S06	12	6	232	MT250398-P3610-S36	36	36	676
MT250398-P1410-S04	14	4	232	MT250398-S84	0	84	772
MT250398-P1610-S02	16	2	232	MT250398-P1210-S72	12	72	772
MT250398-S24	0	24	280	MT250398-P2410-S60	24	60	772
MT250398-P0410-S20	4	20	280	MT250398-P3610-S48	36	48	772
MT250398-P0610-S18	6	18	280	MT250398-S96	0	96	868
MT250398-P1210-S12	12	12	280	MT250398-P1210-S84	12	84	868
MT250398-P1810-S06	18	6	280	MT250398-P2410-S72	24	72	868
MT250398-P2410	24	0	280	MT250398-P3610-S60	36	60	868
MT250398-S30	0	30	328	MT250398-P4210-S54	42	54	868
MT250398-P0610-S24	6	24	328	MT250398-S108	0	108	970
MT250398-P1210-S18	12	18	328	MT250398-P1210-S96	12	96	970
MT250398-P1810-S12	18	12	328	MT250398-P2410-S84	24	84	970
MT250398-P2410-S06	24	6	328	MT250398-P3610-S72	36	72	970
MT250398-P3010	30	0	328	MT250398-P4810-S60	48	60	970

Note: N channels 10A rings parallel can be used as 1 channel N*10A current. For example: 2 rings 10A parallel could be used as 1 wires 20A. 10A,5A (signal) can combine freely in any way.It can be customized based on standard slip ring,please contact customer service for more detmalls.

Specifications

Electrical Data		
Parameter	Value	
	Power	Signal
Rated Voltage	0~690VAC/VDC	0~440VAC/VDC
Insulation Resistance	≥1000MΩ/1000VDC	≥1000MΩ/500VDC
Lead Wires	AWG16#Teflon	AWG22#Teflon
Lead Length	Standard 300mm(adjustable)	
Insulation Strength	1000VAC@50Hz , 60s	
Electrical Noise	<0.01Ω	
Mechanical Data		
Parameter	Value	
Working Life	See Product Quality Level Table	
Rotating Speed	See Product Quality Level Table	
Working Temperature	-30°C~80°C	
Operating Humidity	0~85% RH	
Contact Material	See Product Quality Level Table	
Housing Material	Aluminium Alloy	
Torque	0.1N.m ; +0.03N.m/6rings	
Protection Grade	IP51	

Product Quality Level Table

Products Level Code	Max Rotating Speed	Working Life	Contact Material
VC	150RPM	10 Million Revs	Precious Metal
VD	250RPM	20 Million Revs	Gold-plated

Lead Wires Color Code

Ring	1	2	3	4	5	6	7	8	9	10	11	12
Color	BLK	RED	YEL	GRN	BLU	WHT	BLK	RED	YEL	GRN	BLU	WHT

(6 wires for 1 group color, from 7-12, repeat the same color as 1...6, indicated with number code pipe)

Options For Custom Slip Ring

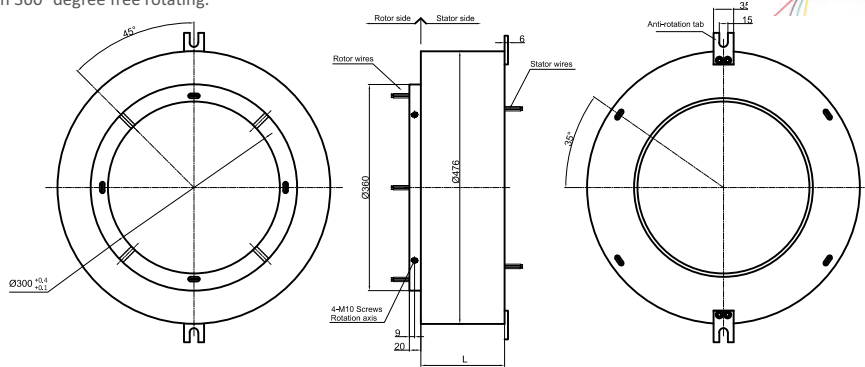
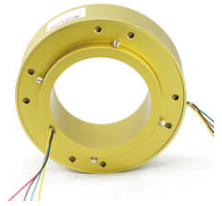
Note: Below special demands can be customized. According, the delivery date will be extended 3 to 15 days; also the cost will be increased 30% to 50%. Most of our basic parts are standard and modular, which can save the cost and lead time.

- ① Cable exit way and cable length can be customized for both rotor and stator.
- ② Because of the structure limitation, length/height/OD can be customized on your request.
- ③ Support current or signal up to 200 rings.
- ④ Aviation plug, terminal and heat-shrink tube are optional.
- ⑤ Hybrid slip ring for Yaskawa/Panasonic/Siemens servo control signal, power line and encoder line.
- ⑥ Support mixed high speed data transmission (including Ethernet, USB, RS232, RS485, Profibus, CanBUS, CANOPEN, DeviceNET, CC-LINK, ProfiNET, EtherCAT, etc.)
- ⑦ Can combine temperature control signal with thermocouple signal.
- ⑧ Special environment can be customized, such as quakeproof, high temperature, etc.
- ⑨ Hybrid Pneumatic/hydraulic and electric slip ring can be mixed.
- ⑩ High temperature can up to 500 degrees.
- ⑪ High pressure can up to 110KV
- ⑫ Rotating speed can up to 10000RPM
- ⑬ Maximum current can up to 5000 amperes.
- ⑭ Military grade
- ⑮ Optional for underwater IP65, IP68.
- ⑯ Optional for stainless steel housing

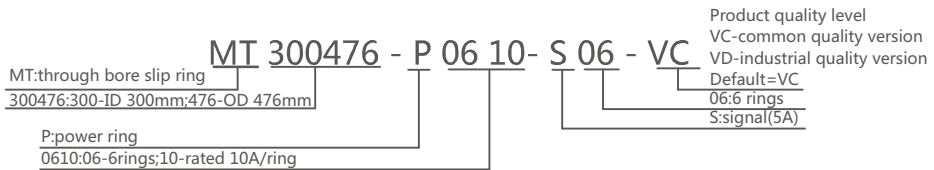
Technical support: technical@moflon.com

MT300476 Series

MT300476 series provides a 300mm through-bore for routing of hydraulic or pneumatic lines or hydraulic or pneumatic rotating shaft installation, and a compact 476mm outside diameter, features long life, fiber brush contact technology for ultimate performance in many challenging applications. MT300476 series are standard, off-the-shelf products, Color-coded lead wires are used on both the stator and rotor for simplified electrical connections. It can transmit signal(2A), 10A, multiple 10A current when 360° degree free rotating.



Part# Explanation



Part# List

MT300476 Series Parts# List							
Part#	10A	Signal or 5A	Length-L (mm)	Part#	10A	Signal or 5A	Length-L (mm)
MT300476-S02	0	2	114	MT300476-S36	0	36	392
MT300476-P0210	2	0	114	MT300476-P0610-S30	6	30	392
MT300476-S03	0	3	122	MT300476-P1210-S24	12	24	392
MT300476-P0310	3	0	122	MT300476-P3610	36	0	392
MT300476-S06	0	6	146	MT300476-S42	0	42	440
MT300476-P0210-S04	2	4	146	MT300476-P0610-S36	6	36	440
MT300476-P0410-S02	4	2	146	MT300476-P1210-S30	12	30	440
MT300476-P0610	6	0	146	MT300476-S48	0	48	488
MT300476-S12	0	12	194	MT300476-P0610-S42	6	42	488
MT300476-P0210-S10	2	10	194	MT300476-P0910-S39	9	39	488
MT300476-P0310-S09	3	9	194	MT300476-P1210-S36	12	36	488
MT300476-P0610-S06	6	6	194	MT300476-P1810-S30	18	30	488
MT300476-P0810-S04	8	4	194	MT300476-P2410-S24	24	24	488
MT300476-P1010-S02	10	2	194	MT300476-S60	0	60	584
MT300476-P1210	12	0	194	MT300476-P0610-S54	6	54	584
MT300476-S18	0	18	242	MT300476-P0910-S51	9	51	584
MT300476-P0210-S16	2	16	242	MT300476-P1210-S48	12	48	584
MT300476-P0410-S14	4	14	242	MT300476-S72	0	72	686
MT300476-P0610-S12	6	12	242	MT300476-P0610-S66	6	66	686
MT300476-P0810-S10	8	10	242	MT300476-P1210-S60	12	60	686
MT300476-P1010-S08	10	8	242	MT300476-P2410-S48	24	48	686
MT300476-P1210-S06	12	6	242	MT300476-P3610-S36	36	36	686
MT300476-P1410-S04	14	4	242	MT300476-S84	0	84	782
MT300476-P1610-S02	16	2	242	MT300476-P1210-S72	12	72	782
MT300476-S24	0	24	290	MT300476-P2410-S60	24	60	782
MT300476-P0410-S20	4	20	290	MT300476-P3610-S48	36	48	782
MT300476-P0610-S18	6	18	290	MT300476-S96	0	96	878
MT300476-P1210-S12	12	12	290	MT300476-P1210-S84	12	84	878
MT300476-P1810-S06	18	6	290	MT300476-P2410-S72	24	72	878
MT300476-P2410	24	0	290	MT300476-P3610-S60	36	60	878
MT300476-S30	0	30	338	MT300476-P4210-S54	42	54	878
MT300476-P0610-S24	6	24	338	MT300476-S108	0	108	980
MT300476-P1210-S18	12	18	338	MT300476-P1210-S96	12	96	980
MT300476-P1810-S12	18	12	338	MT300476-P2410-S84	24	84	980
MT300476-P2410-S06	24	6	338	MT300476-P3610-S72	36	72	980
MT300476-P3010	30	0	338	MT300476-P4810-S60	48	60	980

Note: N channels 10A rings parallel can be used as 1 channel N*10A current. For example: 2 rings 10A parallel could be used as 1 wires 20A. 10A,5A (signal) can combine freely in any way.It can be customized based on standard slip ring,please contact customer service for more details.

Specifications

Electrical data		
Parameter	Value	
	Power	Signal
Rated Voltage	0~690VAC/VDC	0~440VAC/VDC
Insulation Resistance	≥1000MΩ/1000VDC	≥1000MΩ/500VDC
Lead Wires	AWG16#Teflon	AWG22#Teflon
Lead Length	Standard 300mm(adjustable)	
Insulation Strength	1000VAC@50Hz , 60s	
Electrical Noise	<0.01Ω	
Mechanical Data		
Parameter	Value	
Working Life	See Product Quality Level Table	
Rotating Speed	See Product Quality Level Table	
Working temperature	-30°C~80°C	
Operating Humidity	0~85% RH	
Contact Material	See Product Quality Level Table	
Housing Material	Aluminium Alloy	
Torque	0.1N.m ; +0.03N.m/6rings	
Protection grade	IP51	

Product Quality Level Table

Products Level Code	Max Rotating Speed	Working Life	Contact Material
VC	150RPM	10 Million Revs	Precious Metal
VD	250RPM	20 Million Revs	Gold-plated

Lead Wires Color Code

Ring	1	2	3	4	5	6	7	8	9	10	11	12
Color	BLK	RED	YEL	GRN	BLU	WHT	BLK	RED	YEL	GRN	BLU	WHT

(6 wires for 1 group color, from 7-12, repeat the same color as 1...6, indicated with number code pipe)

Options For Custom Slip Ring

Note: Below special demands can be customized. According, the delivery date will be extended 3 to 15 days; also the cost will be increased 30% to 50%. Most of our basic parts are standard and modular, which can save the cost and lead time.

- ① Cable exit way and cable length can be customized for both rotor and stator.
- ② Because of the structure limitation, length/height/OD can be customized on your request.
- ③ Support current or signal up to 200 rings.
- ④ Aviation plug, terminal and heat-shrink tube are optional.
- ⑤ Hybrid slip ring for Yaskawa/Panasonic/Siemens servo control signal, power line and encoder line.
- ⑥ Support mixed high speed data transmission (including Ethernet, USB, RS232, RS485, Profibus, CanBUS, CANOPEN, DeviceNET, CC-LINK, ProfiNET, EtherCAT, etc.)
- ⑦ Can combine temperature control signal with thermocouple signal.
- ⑧ Special environment can be customized, such as quakeproof, high temperature, etc.
- ⑨ Hybrid Pneumatic/hydraulic and electric slip ring can be mixed.
- ⑩ High temperature can up to 500 degrees.
- ⑪ High pressure can up to 110KV
- ⑫ Rotating speed can up to 10000RPM
- ⑬ Maximum current can up to 5000 amperes.
- ⑭ Military grade
- ⑮ Optional for underwater IP65, IP68.
- ⑯ Optional for stainless steel housing

Technical support: technical@moflon.com