

MW1000 series slip rings

MW1000 Series slip rings are small and compact with OD 22~29.8mm * L 26~78mm, Solid style without through bore and stator flange installation, standard, off-the-shelf. Color-coded lead wires are used on both the stator and rotor for simplified electrical connections.



Part# Explanation

MW 1330

MW: large current series slip ring

1 : compact and solid power slip ring, without through bore

330 : 3-3 rings (wire);
30 - ring /30A

Part# List

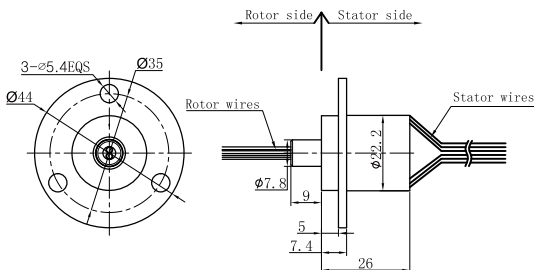
MW1000 Series Part# List									
Parts#	Ring	Rated current per ring (A)	OD (mm)	Length (mm)	Parts#	Ring	Rated current per ring (A)	OD (mm)	Length (mm)
MW1210	2	10A	22	26	MW1620	6	20A	30	66
MW1310	3	10A	22	33	MW1230	2	30A	22	45
MW1410	4	10A	22	43.6	MW1330	3	30A	22	45
MW1610	6	10A	30	66	MW1430	4	30A	30	66
MW1215	2	15A	22	45	MW1630	6	30A	30	66
MW1315	3	15A	22	45	MW1240	2	40A	30	66
MW1415	4	15A	30	66	MW1340	3	40A	30	66
MW1615	6	15A	30	66	MW1810	8	10A	30	78.1
MW1220	2	20A	22	45	MW1101	10	10A	30	78.1
MW1320	3	20A	22	45	MW1121	12	10A	30	78.1
MW1420	4	20A	30	66					

Protection Grade Parts# List			
Parts#	Protection Grade	Ring	Rated current per ring (A)
MW1211-IP65	Ip65	12	10A
MW1330-IP65	IP65	3	30A
MW1630-IP65	Ip65	6	30A

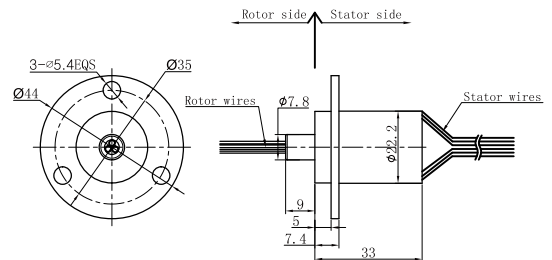
Note: 1) N channels 10A rings parallel can be used as 1 channel N*10A current. For example: 2 rings 10A parallel could be used as 1 wire 20A
2) Power rings can be used for signal rings on request.

Dimensions

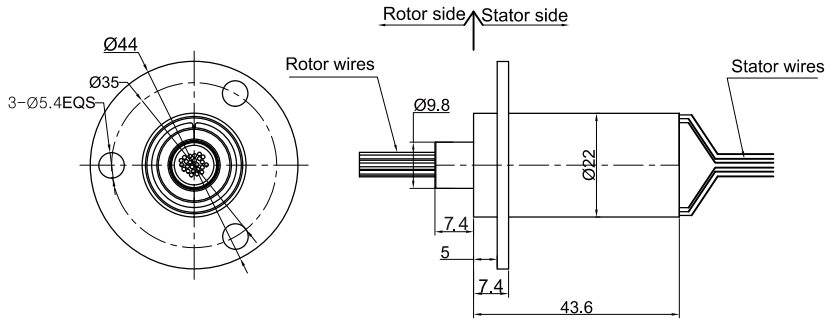
MW1210 Dimensions(2 rings, each ring 10A)



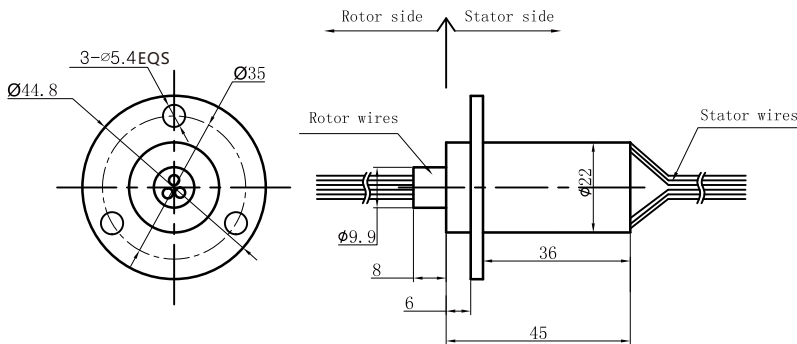
MW1310 Dimensions(3 rings, each ring 10A)



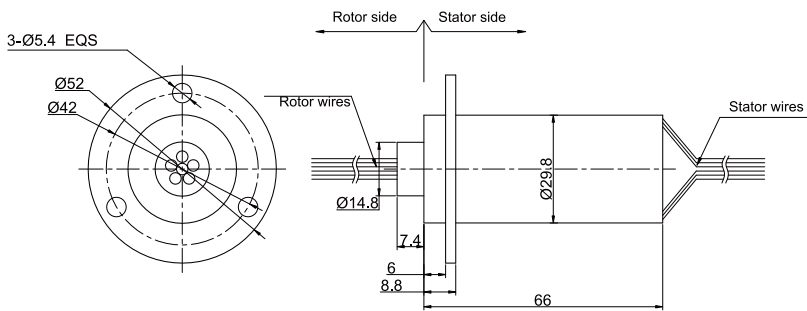
MW1410 Dimensions(4 rings, each ring 10A)



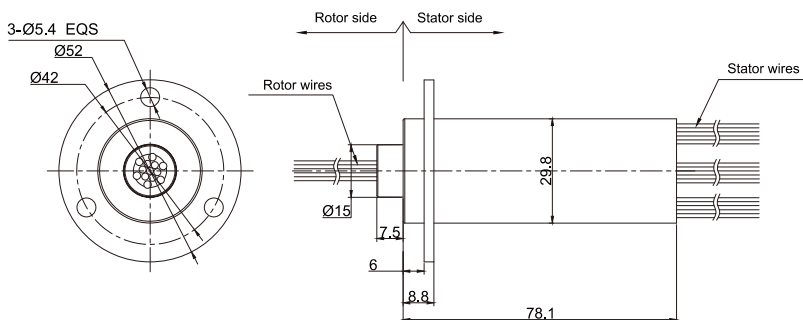
MW1215, MW1315, MW1220, MW1230, MW1320, MW1330 Dimensions



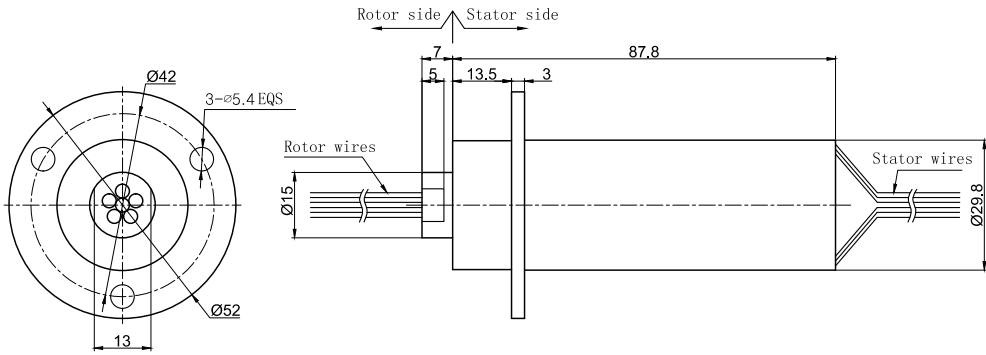
MW1415, MW1615, MW1610, MW1420, MW1430, MW1620, MW1630, MW1240, MW1340 Dimensions



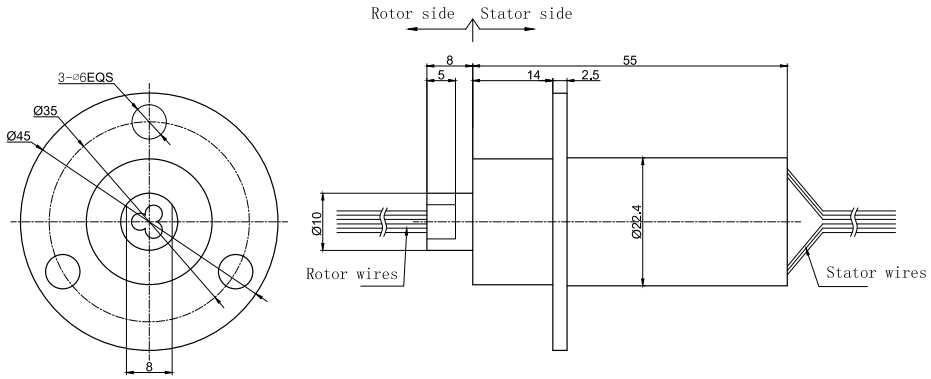
MW1810, MW1101, MW1121 Dimensions



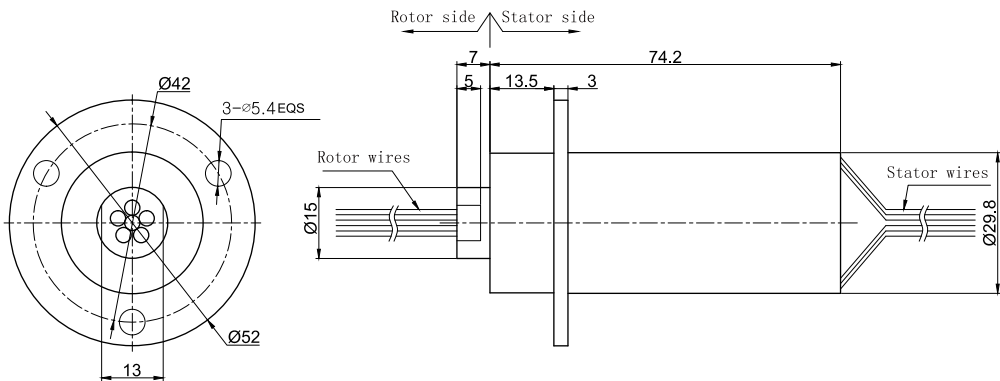
MW1211-IP65 Dimensions



MW1330-IP65 Dimensions



MW1630-IP65 Dimensions



Specification

Mechanical Data		Electrical Data	
Parameter	Value	Parameter	Value
Working Life	10 Million revs		Power
Rotating Speed	150RPM	Rated Voltage	0~380VAC/VDC
Working temperature	-30°C~80°C	Insulation Resistance	≥1000MΩ/500VDC
Operating Humidity	0~85% RH	Lead Wires	10A=AWG#17; 20A=AWG#14; 30A=AWG#12;
Contact Material	precious metal	Lead Length	Standard 300mm(adjustable)
Housing Materia	PBT	Insulating Strength	500VAC@50Hz, 60s
Torque	0.1N.m; +0.03N.m/6rings	Electrical Noise	<0.01Ω
Protection Grade	IP51		

Lead Wires Color Code

Ring	1	2	3	4	5	6
Color	BLK	RED	YEL	GRN	BLU	WHT

(6 wires for 1 group color, from 7-12, repeat the same color as 1...6, indicated with number code pipe.)